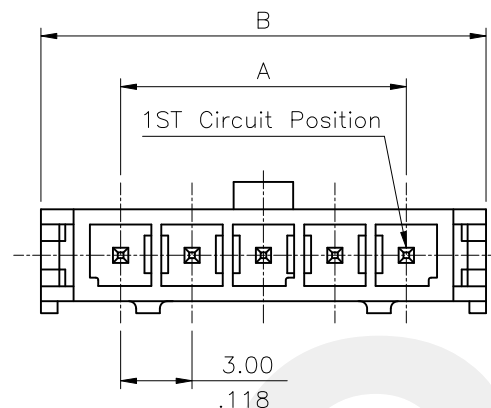


# Ordering Code:

CP35 \*\* P \* V 0 0 - S - NH  
 ① ② ③ ④ ⑤ ⑥ ⑦ ⑧ ⑨

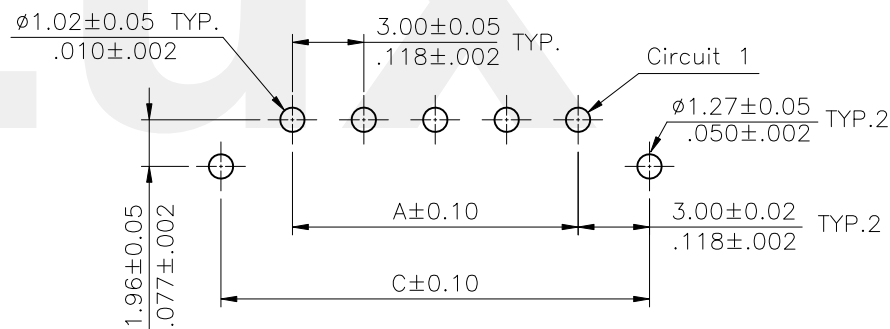
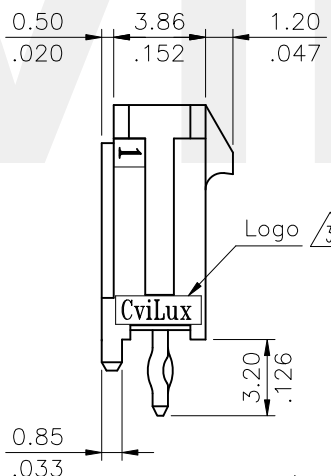
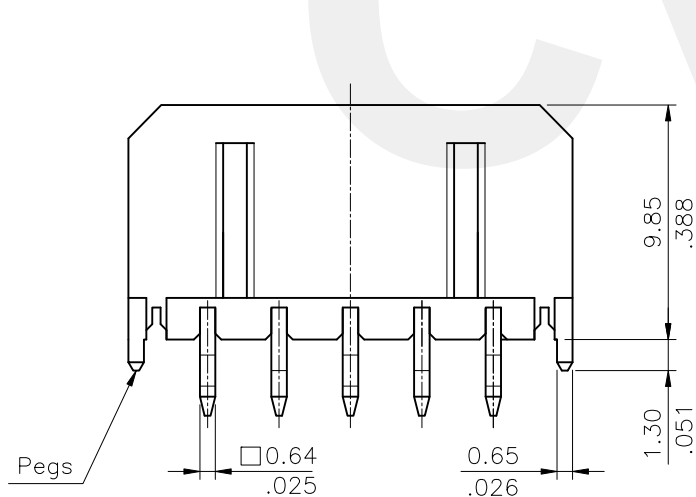
Notes:

- △ 2 \* Insulation: High Temperature Plastic UL 94V-0, Color Black
- \* Contact: Brass
- \* For Lead Free Wave Flow Process



- ① Series No.
- ② No. of Circuits: 02~12
- ③ Contact type: P = Plug
- △ ④ Contact plated:  
 1= 3.05μm(120μ") Tin over  
 1.27μm(50μ") Nickel  
 2= Gold flash plated over 50μ" Nickel
- ⑤ V= Straight
- ⑥ Mount type : 0= DIP Type
- ⑦ Other options: 0= With pegs(Standard)
- ⑧ S= Single Row Header
- ⑨ NH= For Lead Free Wave Flow Process and Halogen-Free

CIRCUITS	DIM.A	DIM.B	DIM.C
2	3.00(.118)	9.65(.380)	9.0(.354)
3	6.00(.236)	12.65(.498)	12.0(.472)
4	9.00(.354)	15.65(.616)	15.00(.591)
5	12.00(.472)	18.65(.734)	18.00(.709)
6	15.00(.591)	21.65(.852)	21.00(.827)
7	18.00(.709)	24.65(.970)	24.00(.945)
8	21.00(.827)	27.65(1.089)	27.00(1.063)
9	24.00(.945)	30.65(1.207)	30.00(1.181)
10	27.00(1.063)	33.65(1.325)	33.00(1.299)
11	30.00(1.181)	36.65(1.443)	36.0(1.417)
12	33.00(1.299)	39.65(1.561)	39.0(1.535)



Recommended P.C. Board layout

odd number △ even number  
 Pin No.1,3,5... Pin No.2,4,6...

Halogen-Free Lead Free Process RoHS compliant

SYM	NAME	DATE	REVISIONS	APPROVED BY:	DATE	UNIT: mm / inch	TITLE: 3.00mm PITCH STRAIGHT HEADER POWER CONNECTOR	SCALE	SHEET	OF	
△ 4	Eric	8/3-21'	ECRB121020/ECNT121170			UNIT: mm / inch					
△ 3	Eric	3/29-21'	ECRT121017/ECNT121085	DRAWN BY:	Eric	8/4-21'	TOLERANCE UNLESS OTHERWISE SPECIFIED				
△ 2	Yushu	4/15-19'	ECRB118091/ECNT119092	ENGINEER:	Sun	8/5-21'	.X ± 0.30/012 X' ± 1'				
△ 1	Karen	5/08-18'	ECNT118100	CHECKED BY:	Eisley	8/6-21'	.XX ± 0.20/008 .X' ±				
				APPROVED BY:	Eisley	8/6-21'	.XXX ± 0.10/004 .XX' ±				
							MATERIAL:	DRAWING NO.	CP35148SE	PART NO.	CP35**P*V00-S-NH
							FINISH:	SCALE	3 / 1	SHEET	1 OF 1

