

PROPRIETARY INFORMATION: PROPRIETARY OF GLOBTEK, INC. ANY REPRODUCTION, DISCLOSURE OR USE OF THIS DRAWING, IN WHOLE OR IN PART, IS HEREBY PROHIBITED EXCEPT AS SPECIFIED IN WRITING BY GLOBTEK, INC.	REVISION			
	REV	DESCRIPTION	DATE	APPROVED
	A	INITIAL RELEASE, RFS. 8766, EM	06/16/06	HM
	B	ADD CH. ROHS, VCCI, RFS. 11005, EM	05/14/07	HM
	C	UPDATE I/P VOLTAGE, RFS. 113408, MS	04/14/08	HM

1. ELECTRICAL SPECIFICATION:

INPUT

INPUT VOLTAGE: 90Vac TO 264Vac
 INPUT CURRENT: <1.6Arms AT 90Vac INPUT
 INPUT FREQUENCY: 47HZ - 63HZ



OUTPUT

OUTPUT VOLTAGE: 24 VDC
 OUTPUT CURRENT: 1.25 A, NO LOAD TO FULL LOAD, NO MINIMUM LOAD REQUIRED
 RATED OUTPUT POWER: 30 WATTS, MAXIMUM
 OUTPUT REGULATION: +/-5 % MEASURED AT THE OUTPUT CONNECTOR
 LINE VOLTAGE REGULATION: +/- 1 % TYPICAL MEASURED AT FULL LOAD
 HIGH FREQ. OUTPUT RIPPLE: 1% OF OUTPUT VOLTAGE , PEAK TO PEAK, TYPICAL
 TURN-ON/TURN-OFF OVERSHOOT: 5% MAXIMUM, 1mS TYPICAL RECOVERY TIME FOR 25% STEP LOAD
 TURN-ON DELAY: 1 SECOND, TYPICAL
 HOLD-UP TIME: 10mS TYPICAL AT NOMINAL INPUT VOLTAGE AND FULL LOAD
 INRUSH CURRENT: 20A TYPICAL AT 115Vac INPUT AND 30A TYPICAL AT 230Vac INPUT
 SWITCHING FREQUENCY: 100KHZ TYPICAL
 EFFICIENCY: 75% TYPICAL AT NOMINAL INPUT AND FULL LOAD
 OUTPUT INDICATOR: GREEN LED FOR OUTPUT PRESENT

PROTECTION

OVER-VOLTAGE: VOLTAGE LIMITED TO LESS THAN 130%, CROWBAR METHOD
 OVERLOAD: HICCUP MODE WITH AUTO-RECOVERY (110 - 130% OF RATED LOAD)
 SHORT CIRCUIT: HICCUP MODE, OUTPUT WILL AUTORECOVER UPON REMOVAL OF SHORT
 INPUT PROTECTION: INPUT LINE FUSING

SAFETY

DIELECTRIC WITHSTAND VOLTAGE: 4242Vdc FROM PRIMARY TO SECONDARY
 EARTH LEAKAGE CURRENT: 500uA at 264Vac INPUT VOLTAGE

APPROVALS

ITE UNITS: UL 60950 (THIRD EDITION), CUL TO 22.2 NO. 60950, TUV TO EN60950, PSE TO J60950, CB REPORT, AS/NZ 60950, CCC TO GB4943-2001,GB9254-1998, GB 17625.1-2003

EMI: COMPLIES WITH EN55022 CLASS B AND FCC PART 15 CLASS B WHEN TESTED WITH RESISTIVE LOAD, BOTH CONDUCTED AND RADIATED EMI.

CE MARK: TESTED TO COMPLY WITH EN61000-3-2 EN61000-3 AND EN50082-1 INCLUDING EN61000-4-2 , EN61000-4-3, EN61000-4-4, EN61000-4-5, EN61000-4-6, EN61000-4-11

C-TICK: TESTED TO COMPLY WITH AUSTRALIA SECTION 182 OF THE RADIO COMMUNICATION ACT OF 1992.

MTBF: 200,000 HOURS AT 25°C AMBIENT TEMPERATURE

OPERATING TEMPERATURE: 0°C TO 40°C AMBIENT TEMPERATURE
 HUMIDITY: 0% TO 90% RELATIVE HUMIDITY
 STORAGE TEMPERATURE: - 40°C TO 80°C

ROHS: COMPLIES WITH EU 2002/95/EC AND CHINA SJ/T 11363-2006

Foot Note: Globtek Inc. will not be liable for the safety and performance of these power supplies if unauthorized access and repair occurs. End user should consult applicable UL, CSA or EN standards for proper installation instructions. Limitation of Use: Globtek product are not authorized for use as mission critical components in life support, hazardous environment, nuclear or aircraft applications without prior written approval from the CEO of Globtek Inc. Contents of this document are subject to change without prior notice	DASH NO.	PART NO	REV.	DESCRIPTION	NOTES	
	TABULATION BLOCK					
			TOLERANCES: DECIMALS ANGULAR .xx +/- 0.1 +/- 1° .xxx +/- .005		186 Veterans Dr. Northvale, NJ 07647 Tel. 201-784-1000 Fax 201.784.0111	
	INIT.BY: DMR	DATE: 01/26/04	MILLIMETERS ANGULAR .xx +/- 0.3 +/- 1° .xxx +/- .013			
DRAWN: NF	DATE: 01/26/04	FSCN No.: G, Y	SIZE A	MODEL NO: GT-21097-5024	REV. C	
APRVD : DMR	DATE: 01/26/04	CAGE CODE: 0GV V90 SCALE: NONE		PART NO: TR9CI1250LCP-Y(R)	SHEET 1 OF 4	

PROPRIETARY INFORMATION:

PROPRIETARY OF GLOBTEK, INC. ANY REPRODUCTION, DISCLOSURE OR USE OF THIS DRAWING, IN WHOLE OR IN PART, IS HEREBY PROHIBITED EXCEPT AS SPECIFIED IN WRITING BY GLOBTEK, INC.

2. ENCLOSURE / INPUT CONFIGURATION:

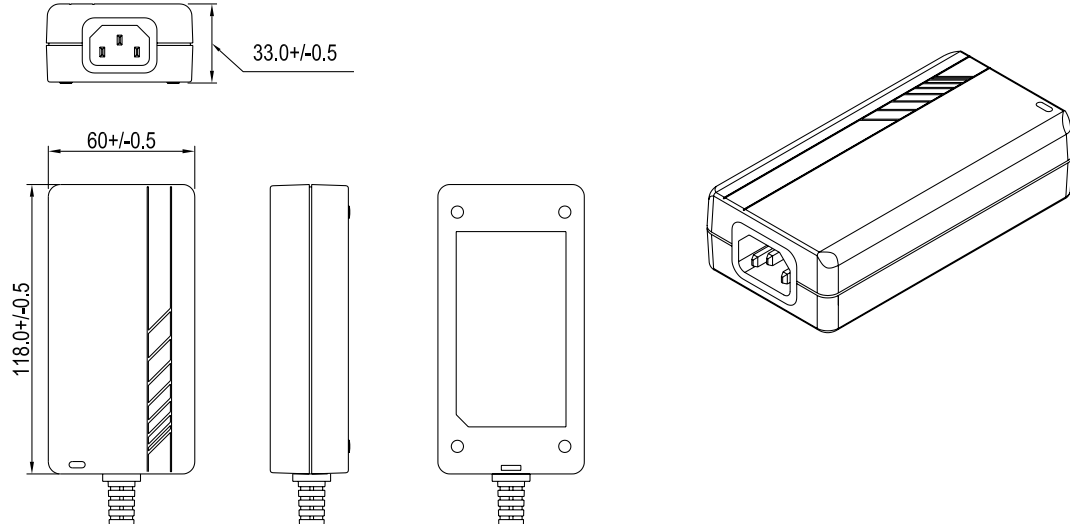
DIMENSIONS ARE IN MM UNLESS SPECIFIED OTHERWISE

UPPER HOUSING: HIGH IMPACT PLASTIC, 94V0 POLYCARBONATE, NON-VENTED, COLOR BLACK

LOWER HOUSING: HIGH IMPACT PLASTIC 94V0 POLYCARBONATE, NON- VENTED, COLOR BLACK

2.1 DESKTOP CLASS I (-T3):

SIZE: 118 x 60 x 33 ± 0.5 mm



INPUT CONNECTOR:

CONFIGURATION: CLASS I MODEL IEC320 / C14, AC POWER RECEPTACLE WITH 3 MALE PRONGS.

3. OUTPUT CORD :

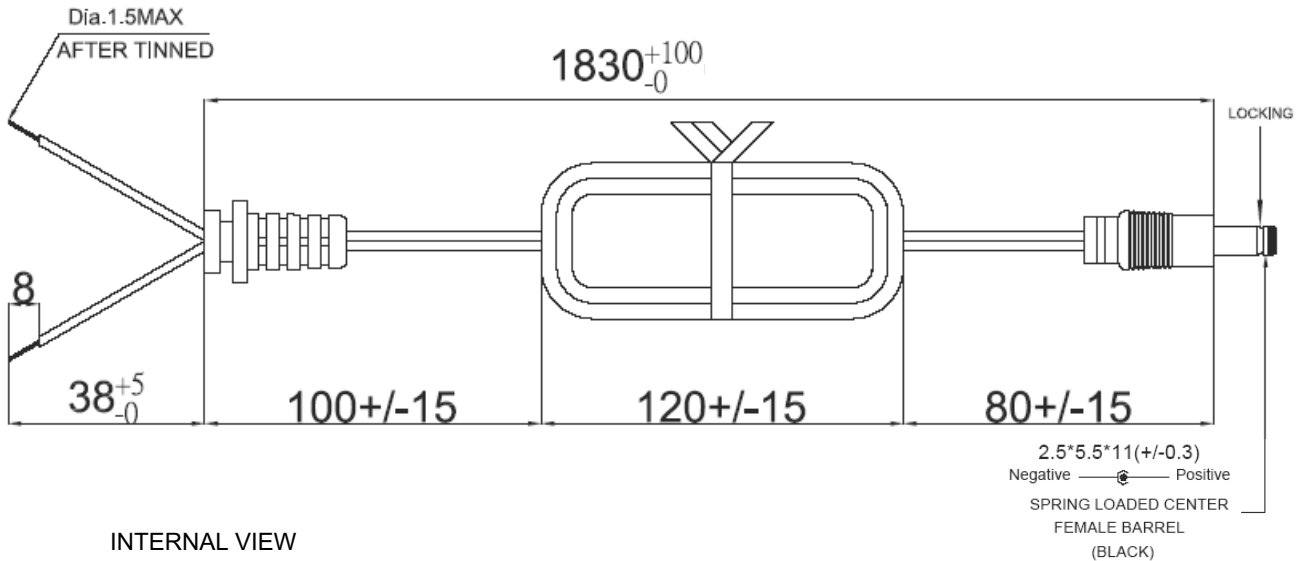
2 CONDUCTOR , 18 AWG STRANDED WIRE, FLAT UL SPT-1, COLOR BLACK, LENGTH:OF CORD: 1830 +100, -0 mm.

CORD IS MEASURED FROM THE HOUSING TO THE END OF OVERMOLD OF THE CONNECTOR.

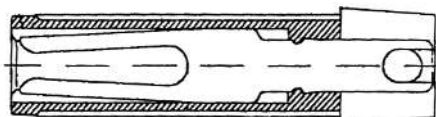
CABLE IS TO BE MARKED WITH WIRE GAUGE, AND ALL APPLICABLE RATING AND SAFETY APPROVALS.

4. OUTPUT CONNECTOR:

STANDARD, STRAIGHT FEMALE BARREL 5.5 x 2.5 x 11 mm (SPRING LOADED WITH LOCKING NOTCH); CENTER POSITIVE



INTERNAL VIEW
SPRING LOADED CENTER



GlobTek, Inc. 186 Veterans Dr. Northvale, NJ 07647 Tel. 201-784-1000 Fax 201.784.0111	
DWG TITLE: SWITCHER , 30WATT, 24VDC @ 1.25A, SINGLE OUTPUT, DESKTOP UNIVERSAL INPUT, ITE, CLASS II FE	
MODEL NO: GT-21097-5024	REV. C
PART NO: TR9CI1250LCP-Y(R)	SHEET 2 OF 4

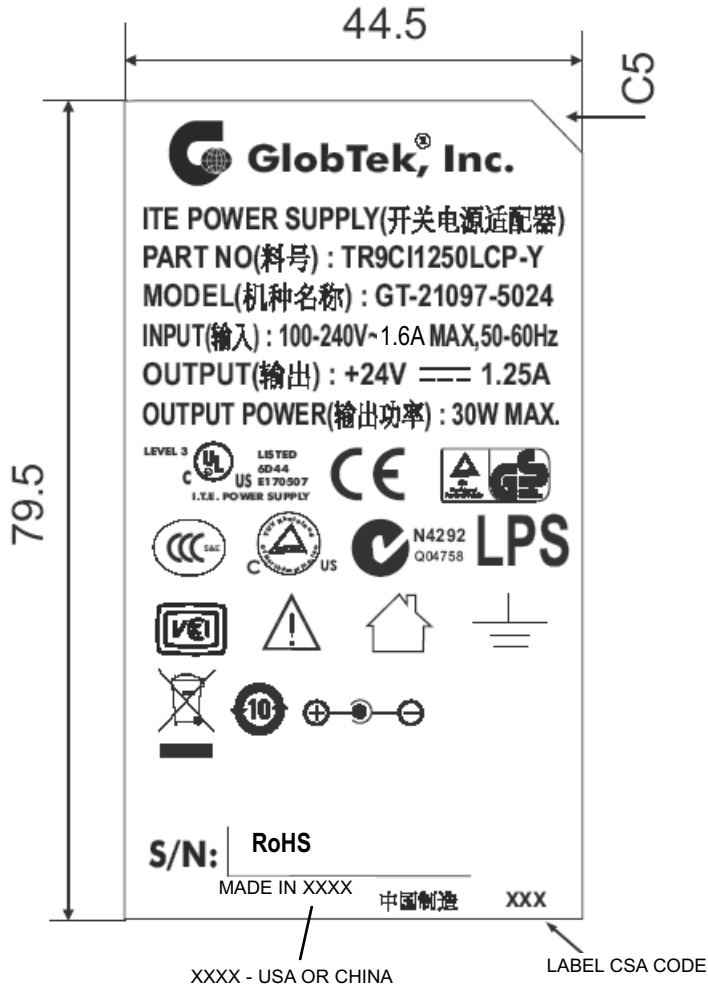
PROPRIETARY INFORMATION:

PROPRIETARY OF GLOBTEK, INC. ANY REPRODUCTION, DISCLOSURE OR USE OF THIS DRAWING, IN WHOLE OR IN PART, IS HEREBY PROHIBITED EXCEPT AS SPECIFIED IN WRITING BY GLOBTEK, INC.

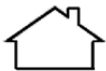
5. LABEL:

MATERIAL: .007 (0.18) THICK FLAT THERMAL TRANSFER, IMPRINTABLE, BLACK POLYESTER SHEET WITH WHITE NOMENCLATURE.

MANUFACTURER: STEVEN LABEL, MATERIAL I.D. NO.3302-33, UL FILE NO. MH12821(N), UL MATERIAL DESIGNATION FILE NO. GHW332RL. OPTIONAL LABEL MATERIAL CAN BE SUBSTITUTED PROVIDING MATERIAL IS UL LISTED AND COMPLIES WITH APPLICABLE SAFETY REQUIREMENTS.



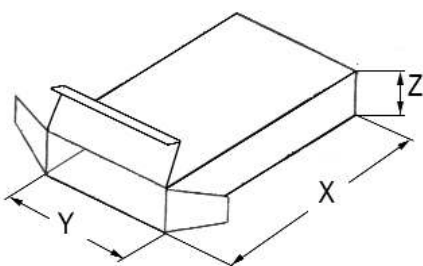
ACTUAL POSITIONING OF SYMBOLS AND TEXT IS SUBJECT TO CHANGE AT TIME OF MANUFACTURE



CAUTION: FOR INDOOR USE ONLY
ATTENTION: POUR UTILISATION A L'INTERUR SEULAMENT

6. INDIVIDUAL PACKING BOX:

MATERIAL: CORRUGATED FIBERBOARD, F-FLUTE 0.8 (2.0) THICK, DOUBLE WALL CONSTRUCTION.
EXTERNAL FINISH: WHITE, COATED WITH GLOSS FINISH (AQUEOUS OR VARNISH) STYLE: TUCK SIDES WITH LOCKING TABS ON BOTH SIDES OF BOX. NO PRINTING ON THE OUTSIDE OF BOX.



X = 147 mm
Y = 100 mm
Z = 33 mm

GlobTek, Inc. www.globtek.com		186 Veterans Dr. Northvale, NJ 07647 Tel. 201-784-1000 Fax 201.784.0111
DWG TITLE: SWITCHER , 30WATT, 24VDC @ 1.25A, SINGLE OUTPUT, DESKTOP UNIVERSAL INPUT, ITE, CLASS II FE		
MODEL NO: GT-21097-5024		REV. C
PART NO: TR9CI1250LCP-Y(R)		SHEET 3 OF 4

PROPRIETARY INFORMATION:

PROPRIETARY OF GLOBTEK, INC. ANY REPRODUCTION, DISCLOSURE OR USE OF THIS DRAWING, IN WHOLE OR IN PART, IS HEREBY PROHIBITED EXCEPT AS SPECIFIED IN WRITING BY GLOBTEK, INC.

China RoHS SELF DISCLOSURE TABLE

有毒有害物质或元素名称及含量标准形式

Name and concentration of hazardous substance or element in product

零件名 Name of part	剧毒有害物质或元素 Hazardous substance or element					
	铅 Pb	汞 Hg	镉 Cd	六价铬 Cr(VI)	多溴联苯 PBB	多溴二苯醚 PBDE
输出线材料 DC CABLE	X	O	O	O	O	O
输入插座 AC SOCKET	X	O	O	O	O	O
二极管 SMD ZENER	X	O	O	O	O	O

O: 表示该有毒有害物质在这部件中所有同质材料中的含量均在SJ/T 11363-2006规定的限量要求以下.

O: refers to the concentration of this hazard substance in the all homogenous materials in this part is below the concentration limit as stipulated in the standard SJ/T 11363-2006.

X: 表示该有毒有害物质至少在这部件中的某一同质材料中的含量超出 SJ/T 11363-2006规定的限量要求.

X: refers to the concentration of this hazard substance at least in a homogenous material is higher than the concentration limit as stipulated in the standard SJ/T 11363-2006.



GlobTek, Inc.
www.globtek.com

186 Veterans Dr. Northvale, NJ 07647
Tel. 201-784-1000 Fax 201.784.0111

DWG TITLE: SWITCHER, 30WATT, 24VDC @ 1.25A,
SINGLE OUTPUT, DESKTOP UNIVERSAL INPUT, ITE, CLASS II FE

MODEL NO: GT-21097-5024

REV.
C

PART NO: TR9CI1250LCP-Y(R)

SHEET 4 OF 4