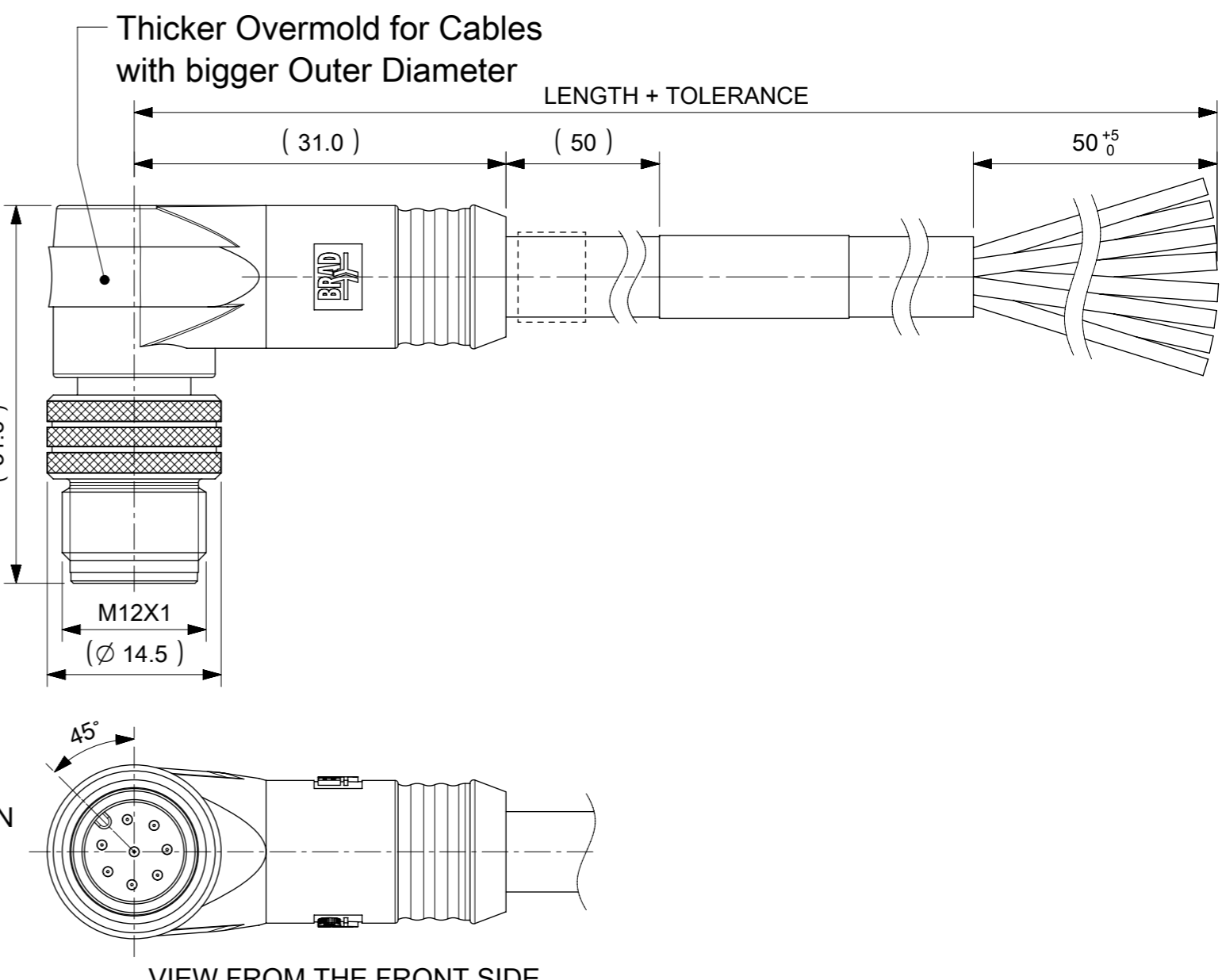
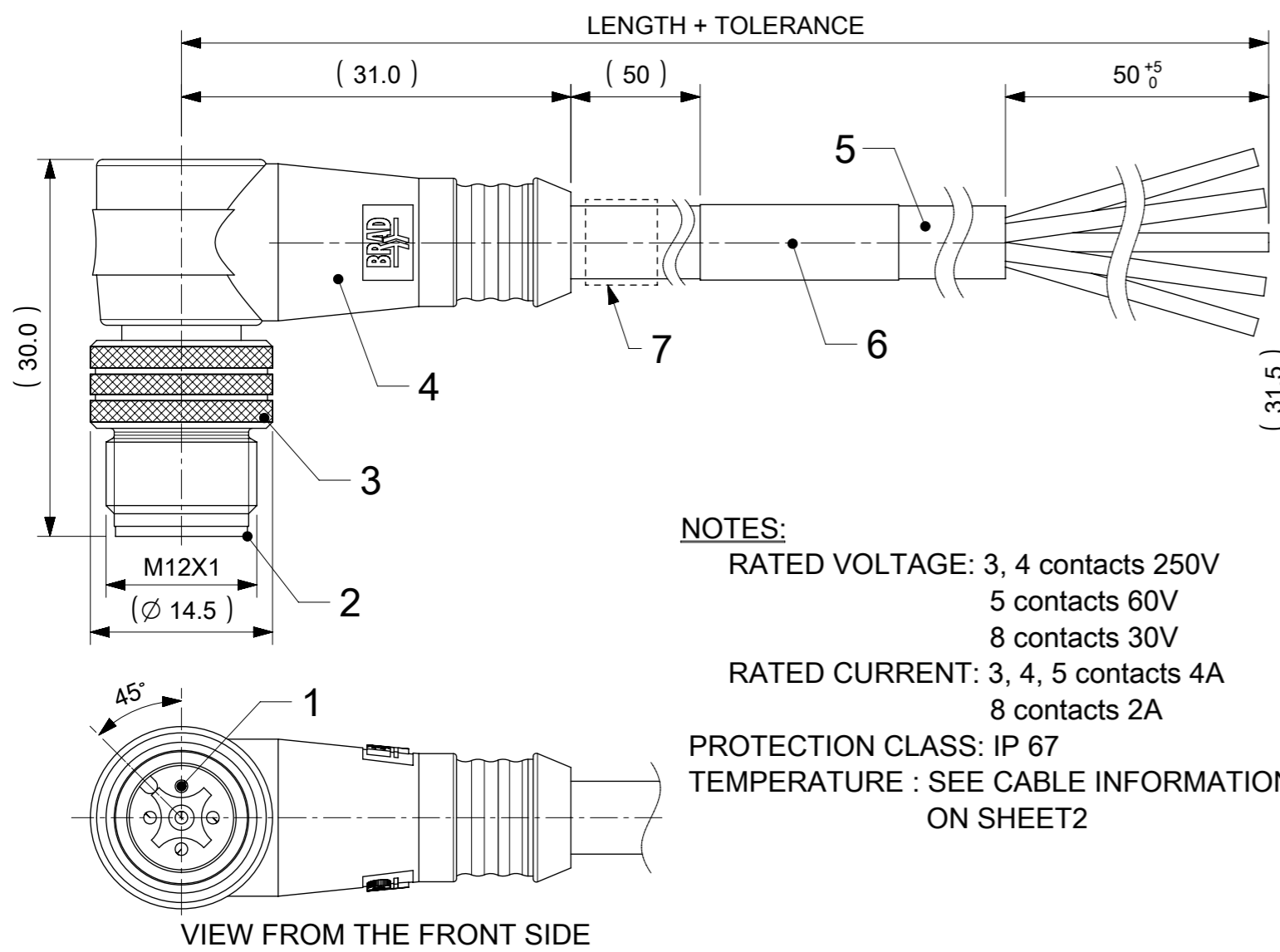


MALE PLUG M12 90° ANGLED



NOTES:
 RATED VOLTAGE: 3, 4 contacts 250V
 5 contacts 60V
 8 contacts 30V
 RATED CURRENT: 3, 4, 5 contacts 4A
 8 contacts 2A
 PROTECTION CLASS: IP 67
 TEMPERATURE : SEE CABLE INFORMATION ON SHEET2

CONTACTS POSITION FRONT VIEW:

3 CONTACTS		4 CONTACTS		5 CONTACTS		8 CONTACTS	
PIN	WIRE	PIN	WIRE	PIN	WIRE	PIN	WIRE
1	BROWN	1	BROWN	1	BROWN	1	WHITE
2	---	2	WHITE	2	WHITE	2	BROWN
3	BLUE	3	BLUE	3	BLUE	3	GREEN
4	BLACK	4	BLACK	4	BLACK	4	YELLOW
5	---	5	---	5	GREY	5	GREY
						6	PINK
						7	BLUE
						8	RED

CODING REQUIRED TO IEC 61076-2-101

FOR OPTIONS SEE - NUMERICAL CODE - ON SHEET 2

ITEM	QTY.	DESCRIPTION	MATERIAL	FINISH
7	0 OR 2	I/D CARRIER (SEE MATRIX)	PVC	TRANSPARENT
6	1	LABEL YELLOW	VINYL	---
5	-	CABLE	SEE SHEET 2	---
4	-	OVERMOULDING BLACK	TPU	---
3	1	COUPLING NUT MALE	BRASS	NICKEL
2	1	INSERT MALE BLACK	PUR	---
1	3 / 4 / 5 / 8	CONTACT M12 MALE	BRASS	SELECTIVE Au OVER Ni

THIS DRAWING CONTAINS INFORMATION THAT IS PROPRIETARY TO MOLEX ELECTRONIC TECHNOLOGIES, LLC AND SHOULD NOT BE USED WITHOUT WRITTEN PERMISSION

DIMENSION UNITS: mm SCALE: 2:1

GENERAL TOLERANCES (UNLESS SPECIFIED):
 ANGULAR TOL ± 1.0°
 4 PLACES ±
 3 PLACES ±
 2 PLACES ± 0.05
 1 PLACE ± 0.3
 0 PLACES ± 0.5

DRAFT WHERE APPLICABLE MUST REMAIN WITHIN DIMENSIONS

THIRD ANGLE PROJECTION

DRAWING: A3-SIZE

SERIES: 120065

MATERIAL NUMBER: SEE SHEET 3

CUSTOMER: GENERAL MARKET

SHEET NUMBER: 1 OF 3

EC NO: 743963
 DRWN: RSCHIEBER 2023/03/28
 CHK'D: RSILLER 2023/03/28
 APPR: RSILLER 2023/03/28

INITIAL REVISION:
 DRWN: JMARSZALEK 2016/01/14
 APPR: RSILLER 2016/04/08

DOCUMENT NUMBER: 1200659138

DOC TYPE: PSD

DOC PART: 000

REVISION: A7

molex

CSE M12 XP AC MA RA XM SE UNSH

PRODUCT CUSTOMER DRAWING

ENGINEERING NO. - NUMERICAL CODE (Available parts see PART LIST table. Others on request).

8 0 X 0 0 7 X X X X X X X X

OPTIONS

80=M12x1
Single ended

Contacts:
3=3 Contacts
4=4 Contacts
5=5 Contacts
8=8 Contacts

Heads style:
007=Plug Male
90° Angled

Cable type: See Table

Units:
M=Meter

Length
Examples:
005=0.5 unit
010=1 unit
100=10 units

Overmold color:
Blank (Standard)=Black
A=Grey / G=Black / Y=Yellow

Coupling Nut:
Blank (Standard) & 3=Knurled Brass Ni Plated
1=Hexagonal Stainless steel
5=Knurled Delrin
7=Knurled Brass Ni Plated, Teflon Coated
9=Knurled / Hexagonal Brass Ni Plated

H= 2 pcs. of I/D Carrier PVC Transparent

COUPLING NUTS

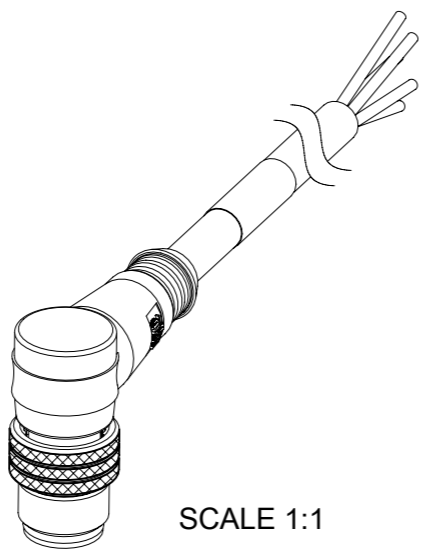


CABLE INFORMATION (for more information see Cable Data Sheet).

CABLE TYPE	NO. OF WIRES	CROSS SECTION	CABLE JACKET	UL	CSA	STATIC: TEMP. / BENDING RADIUS	DYNAMIC: TEMP. / BENDING RADIUS	DRAG CHAIN	SHIELD
E02	3 / 4 / 5 / 8	0.25mm ²	PVC BLACK	UL 2464/1729	C22.2 I/II A/B 80°C/300V	-30°C to +80°C, 10xO.D.	-10°C to +80°C, 15xO.D.	-	-
E03	3 / 4 / 5	0.34mm ²	PVC BLACK	UL 2464/1729	C22.2 I/II A/B 80°C/300V	-30°C to +80°C, 10xO.D.	-10°C to +80°C, 15xO.D.	-	-
H08	3 / 4 / 5 / 8	0.25mm ²	PUR BLACK LS0H	UL 21198/10493	C22.2 I/II A/B 80°C/300V	-40°C to +80°C, 5xO.D.	-25°C to +80°C, 10xO.D.	2 000 000 cycles at 20°C, Temp. range +5°C to +60°C	-
H09	3 / 4 / 5	0.34mm ²	PUR BLACK LS0H	UL 21198/10493	C22.2 I/II A/B 80°C/300V	-40°C to +80°C, 5xO.D.	-25°C to +80°C, 10xO.D.	2 000 000 cycles at 20°C, Temp. range +5°C to +60°C	-
P02	3 / 4 / 5 / 8	0.25mm ²	PUR / PVC BLACK	-	-	-30°C to +80°C, 7xO.D.	-5°C to +80°C, 15xO.D.	-	-
P03	3 / 4 / 5	0.34mm ²	PUR / PVC BLACK	-	-	-30°C to +80°C, 7xO.D.	-5°C to +80°C, 15xO.D.	-	-
E13	3	18AWG	PVC YELLOW	UL 2661/1731	I/II A/B 80°C/300V	-	-	-	-
E52	3 / 4 / 8	0.34mm ²	PVC GREY	-	-	-30°C to +70°C	-5°C to +70°C	-	-
H69	4	0.20mm ²	PUR GREY LS0H	-	-	-	-	-	-
I03	3 / 4 / 5	0.34mm ²	PVC CEI GREY	-	-	-30°C to +70°C	-5°C to +70°C	-	-
K03	4 / 5	0.34mm ²	TPE YELLOW	-	I/II A/B 90°C/300V	-40°C to +105°C	-	-	-
K05	3 / 4 / 5	0.34mm ²	TPE YELLOW	UL ITC E195601 or PLC	I/II A/B 90°C/300V	-	-	-	-
P12	3 / 5	0.50mm ²	PUR BLACK	-	-	-30°C to +90°C	-5°C to +90°C	-	-
P82	3 / 4 / 5	0.34mm ²	PUR IRR ORANGE	-	-	-50°C to +105°C, 5xO.D.	-40°C to +105°C, 7.5xO.D.	-	-

CABLE LENGTH TOLERANCES

OVER	UP TO AND INCLUDING	TOLERANCES
0	305mm	+19mm
305mm	915mm	+45mm
915mm	1830mm	+56mm
1830mm	3660mm	+89mm
3660mm	7320mm	+165mm
7320mm	14640mm	+317mm
14640mm	30500mm	+610mm
30500mm	>	+2% of finished length



SCALE 1:1

THIS DRAWING CONTAINS INFORMATION THAT IS PROPRIETARY TO MOLEX ELECTRONIC TECHNOLOGIES, LLC AND SHOULD NOT BE USED WITHOUT WRITTEN PERMISSION

DIMENSION UNITS: mm SCALE: 1:1

CURRENT REV DESC: NEW P/N ADDED

molex

CSE M12 XP AC MA RA XM SE UNSH

PRODUCT CUSTOMER DRAWING

EC NO: 743963
DRWN: RSCHIEBER 2023/03/28
CHK'D: RSILLER 2023/03/28
APPR: RSILLER 2023/03/28

INITIAL REVISION:
DRWN: JMARSZALEK 2016/01/14
APPR: RSILLER 2016/04/08

DOCUMENT NUMBER: 1200659138
DOC TYPE: PSD
DOC PART: 000
REVISION: A7


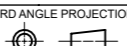
DRAFT WHERE APPLICABLE MUST REMAIN WITHIN DIMENSIONS

THIRD ANGLE PROJECTION

DRAWING: A3-SIZE
SERIES: 120065
MATERIAL NUMBER: SEE SHEET 3
CUSTOMER: GENERAL MARKET
SHEET NUMBER: 2 OF 3

PART LIST

No.	Part No.	Engineering No.	Cable Length	No.	Part No.	Engineering No.	Cable Length	No.	Part No.	Engineering No.	Cable Length	No.	Part No.	Engineering No.	Cable Length
1	1200060273	803007E03M020	2m	36	1200651688	804007K03M050	5m	71	1200658723	803007H09M030	3m	106	1200657170	804007E03M015	1.5m
2	1200060275	803007E03M050	5m	37	1200651691	804007K05M020	2m	72	1200658724	803007H09M040	4m	107	1200657171	804007E03M060	6m
3	1200060288	803007P03M020	2m	38	1200651693	804007K05M050	5m	73	1200658725	803007H09M050	5m	108	1200657172	804007E03M080	8m
4	1200060289	803007P03M030	3m	39	1200651800	808007P02M020	2m	74	1200658726	803007H09M100	10m	109	1200657173	804007E03M120	12m
5	1200060582	804007E03M010	1m	40	1200652026	804007K03M100	10m	75	1200658734	804007H09M010	1m	110	1200657174	804007E03M150	15m
6	1200060583	804007E03M030	3m	41	1200652145	804007P03M040	4m	76	1200658735	804007H09M015	1.5m	111	1200657175	804007E03M300	30m
7	1200060584	804007E03M050	5m	42	1200652149	805007P03M060	6m	77	1200658736	804007H09M020	2m	112	1200657325	804007E03M250	25m
8	1200060587	804007H69M020	2m	43	1200652159	805007K03M020	2m	78	1200658737	804007H09M030	3m	113			
9	1200060589	804007I03M020	2m	44	1200652161	805007K03M050	5m	79	1200658738	804007H09M040	4m	114			
10	1200060592	804007P03M020	2m	45	1200655006	805007P03M100	10m	80	1200658739	804007H09M050	5m	115			
11	1200060593	804007P03M030	3m	46	1200658096	805007E03M020	2m	81	1200658740	804007H09M100	10m	116			
12	1200060594	804007P03M050	5m	47	1200658186	805007P03M050	5m	82	1200658748	805007H09M010	1m	117			
13	1200060595	804007P03M100	10m	48	1200658229	803007E13M050	5m	83	1200658749	805007H09M015	1.5m	118			
14	1200060696	805007P03M015	1.5m	49	1200658235	804007E03M2501	25m	84	1200658750	805007H09M020	2m	119			
15	1200060697	805007P03M020	2m	50	1200658327	805007I03M015	1.5m	85	1200658751	805007H09M030	3m	120			
16	1200060699	805007P03M040	4m	51	1200658506	803007E03M100	10m	86	1200658752	805007H09M040	4m	121			
17	1200061764	804007P03M010	1m	52	1200658515	804007E03M0501H	5m	87	1200658753	805007H09M050	5m	122			
18	1200061975	804007E03M020	2m	53	1200658516	804007E03M1001H	10m	88	1200658754	805007H09M100	10m	123			
19	1200062055	803007P03M050	5m	54	1200658522	805007P12M020	2m	89	1200658757	808007H08M020	2m	124			
20	1200062238	804007E03M100	10m	55	1200658567	803007E03M010	1m	90	1200659138	805007E03M010	1m	125			
21	1200062498	805007E03M100	10m	56	1200658568	803007E03M030	3m	91	1200659143	805007H09M200	20m	126			
22	1200062638	804007E03M006	0.6m	57	1200658569	803007E03M040	4m	92	1200659146	805007E03M200	20m	127			
23	1200062680	804007E03M0101	1m	58	1200658572	804007E03M040	4m	93	1200659151	805007P03M150	15m	128			
24	1200062681	804007E03M0201	2m	59	1200658596	803007I03M010	1m	94	1200659204	805007P12M050	5m	129			
25	1200062682	804007E03M0501	5m	60	1200658597	803007I03M040	4m	95	1200659230	805007P03M010	1m	130			
26	1200062929	805007E03M050	5m	61	1200658598	803007I03M100	10m	96	1200659231	805007P03M200	20m	131			
27	1200063575	804007E03M1001	10m	62	1200658602	804007I03M010	1m	97	1200659247	805007E03M020Y	2m	132			
28	1200063576	804007E03M1501	15m	63	1200658603	804007I03M030	3m	98	1200659249	805007P03M050Y	5m	133			
29	1200063656	804007E03M2001	20m	64	1200658604	804007I03M040	4m	99	1200659540	805007E03M030	3m	134			
30	1200063831	804007E52M100	10m	65	1200658614	803007P03M040	4m	100	1200657164	804007P03M003	0.3m	135			
31	1200064175	804007E03M4001	40m	66	1200658615	803007P03M010	1m	101	1200657165	804007P03M006	0.6m	136			
32	1200064178	804007P03M005	0.5m	67	1200658618	803007P03M100	10m	102	1200657166	804007P03M015	1.5m	137			
33	1200064280	804007E03M200	20m	68	1200658720	803007H09M010	1m	103	1200657167	804007P03M150	15m	138			
34	1200064294	804007P03M200	20m	69	1200658721	803007H09M015	1.5m	104	1200657168	804007P03M500	50m	139			
35	1200064394	804007P03M020G	2m	70	1200658722	803007H09M020	2m	105	1200657169	804007E03M003	0.3m	140			

THIS DRAWING CONTAINS INFORMATION THAT IS PROPRIETARY TO MOLEX ELECTRONIC TECHNOLOGIES, LLC AND SHOULD NOT BE USED WITHOUT WRITTEN PERMISSION											
DIMENSION UNITS mm		SCALE 1:1		CURRENT REV DESC: NEW P/N ADDED							
GENERAL TOLERANCES (UNLESS SPECIFIED)						EC NO: 743963					
ANGULAR TOL ± 1.0 °						DRWN: RSCHIEBER		2023/03/28		PRODUCT CUSTOMER DRAWING	
4 PLACES ±						CHK'D: RSILLER		2023/03/28		DOCUMENT NUMBER	
3 PLACES ±						APPR: RSILLER		2023/03/28		1200659138	
2 PLACES ± 0.05						INITIAL REVISION:		2016/01/14		DOC TYPE DOC PART REVISION	
1 PLACE ± 0.3						DRWN: JMARSZALEK		2016/04/08		PSD 000 A7	
0 PLACES ± 0.5						APPR: RSILLER					
DRAFT WHERE APPLICABLE MUST REMAIN WITHIN DIMENSIONS				THIRD ANGLE PROJECTION		DRAWING		SERIES		MATERIAL NUMBER CUSTOMER	
						A3-SIZE		120065		SEE PART LIST GENERAL MARKET	
										SHEET NUMBER	
										3 OF 3	