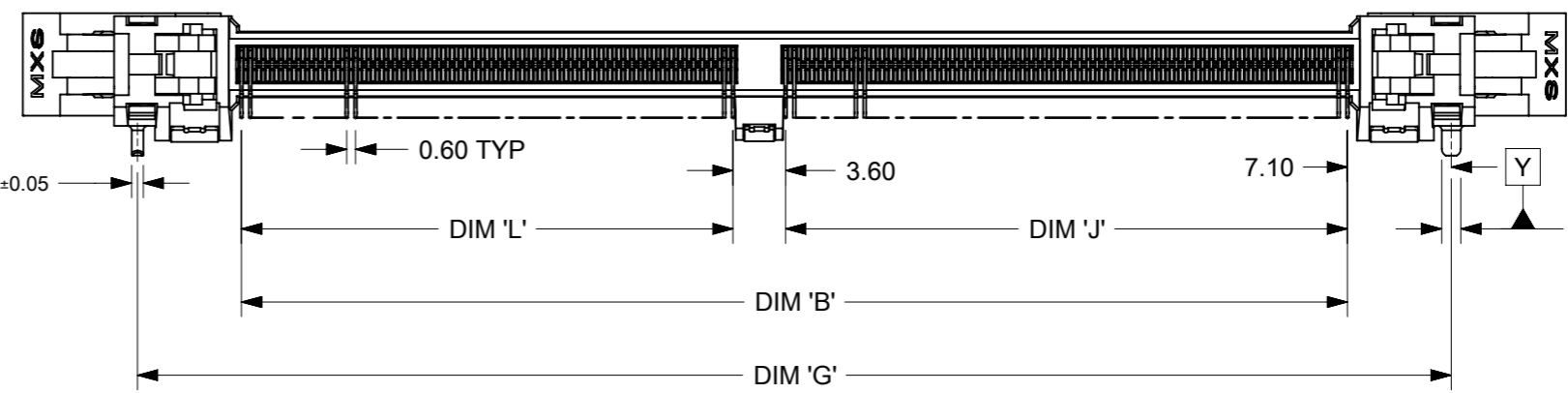
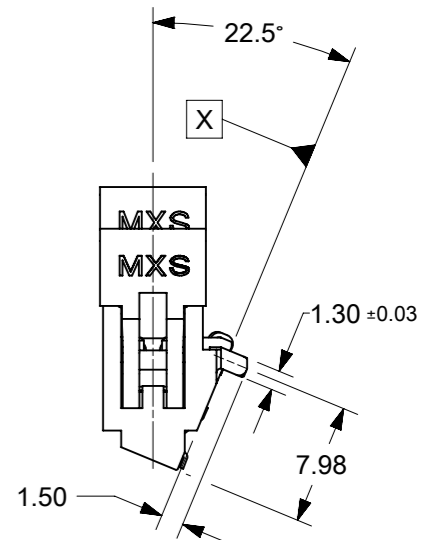
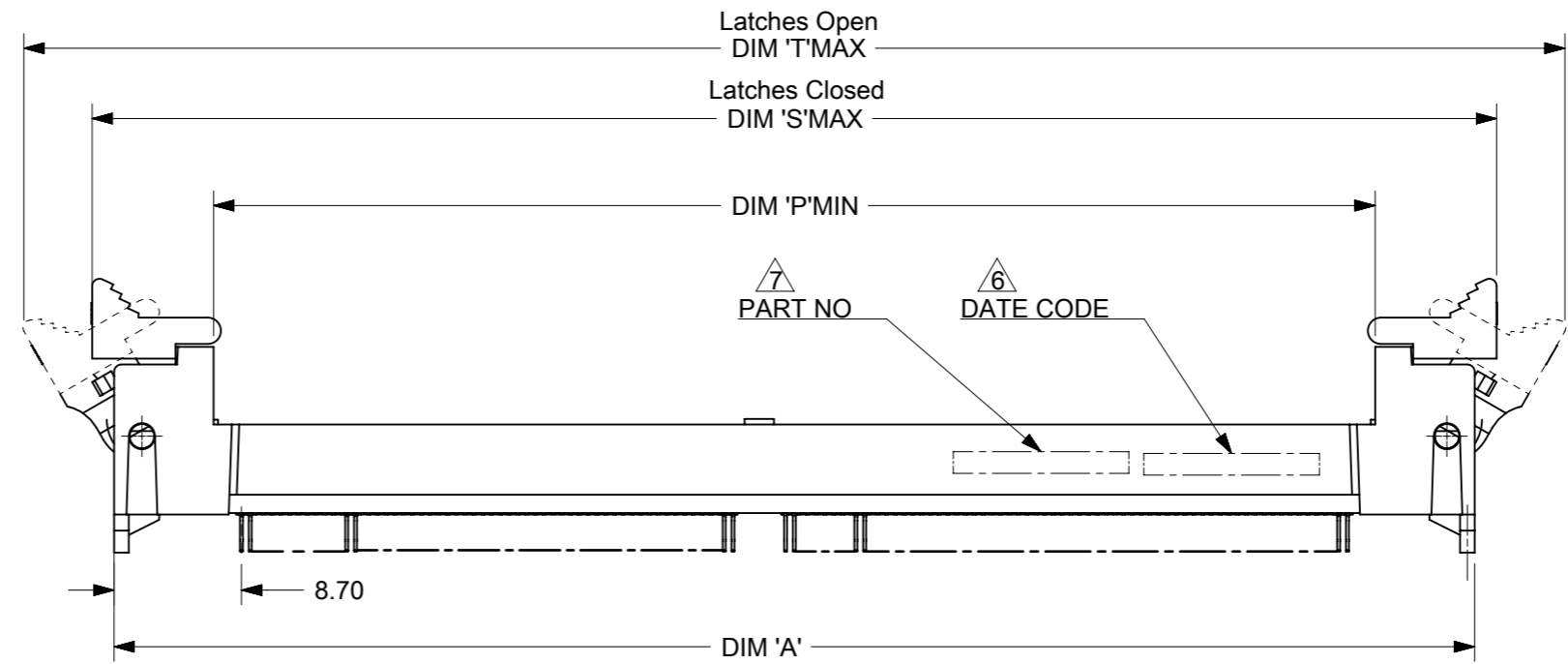
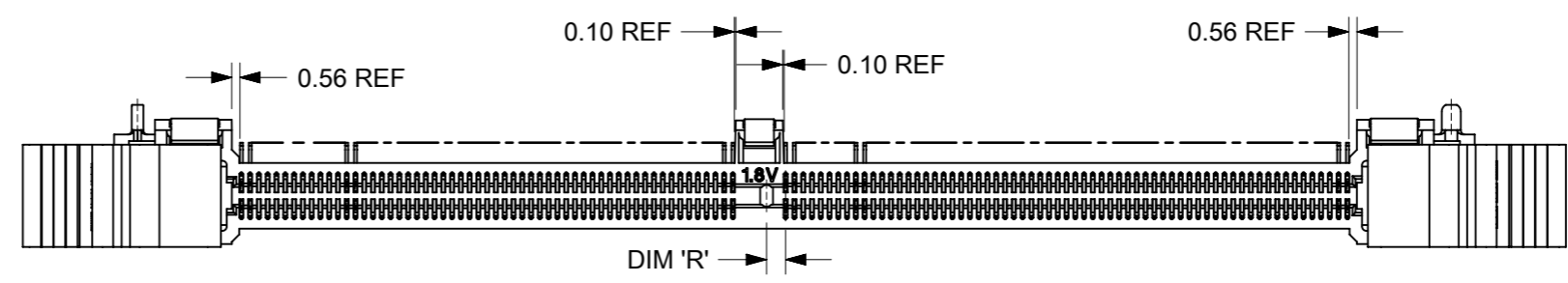


MINIMUM HEIGHT OF SOCKET WITH MODULE CARD HEIGHT OF 30.00mm AND THICKNESS OF 4mm.



NOTES :
 1. MATERIAL :
 HOUSING : HIGH TEMPERATURE LIQUID CRYSTAL POLYMER, UL94V-0
 COLOUR : BLACK
 CONTACTS : COPPER ALLOY
 LATCHES : HIGH TEMPERATURE NYLON, UL94V-0
 COLOUR : NATURAL (OFF-WHITE)
 COVER : HIGH TEMPERATURE NYLON, UL 94V-0
 COLOUR : BLACK

2. FINISH
 CONTACTS : 0.76 MICROMETER (30 MICROINCH) MIN GOLD OVER
 1.25 MICROMETER (50 MICROINCH) MIN NICKEL
 SMT TAIL : 2.54 MICROMETER (100 MICROINCH) MIN TIN OVER
 1.25 MICROMETER (50 MICROINCH) MIN NICKEL

3. ACCEPTS 1.0mm THICK MEMORY MODULE PER JEDEC MO-244 FOR 244 CKTS AND MO-258 FOR 200 CKTS.

4. PRODUCT SPECIFICATION : PS-78035-001.

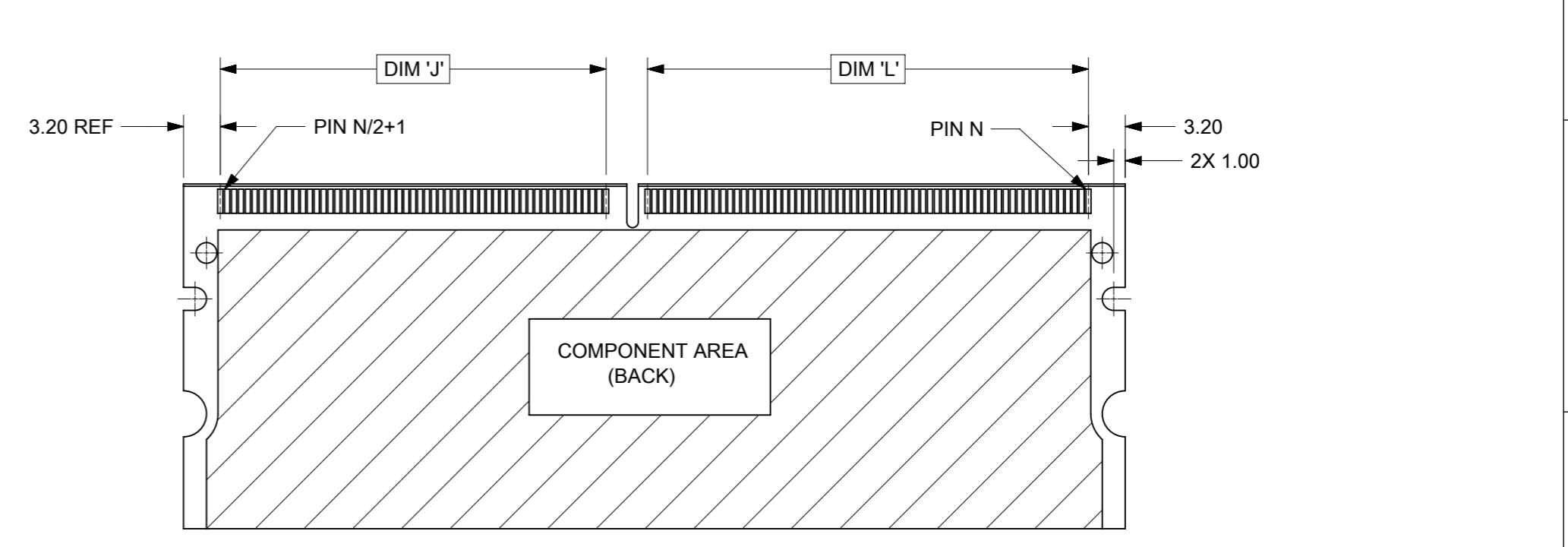
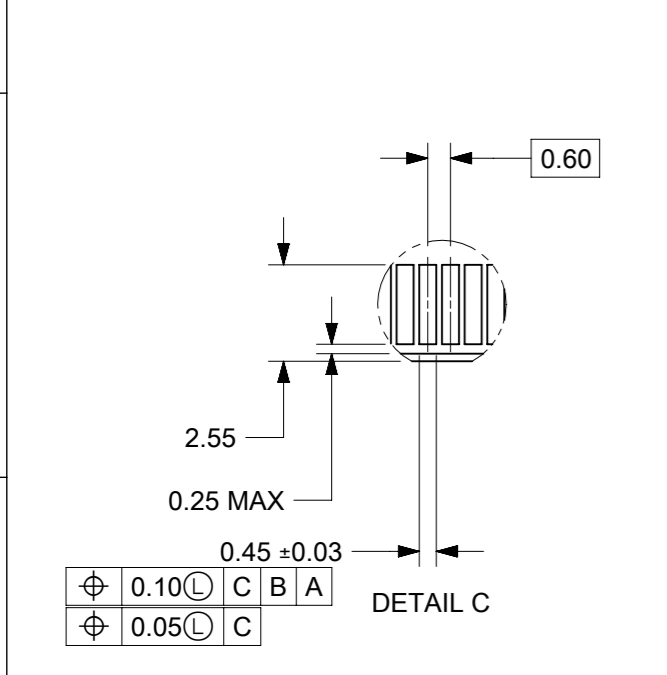
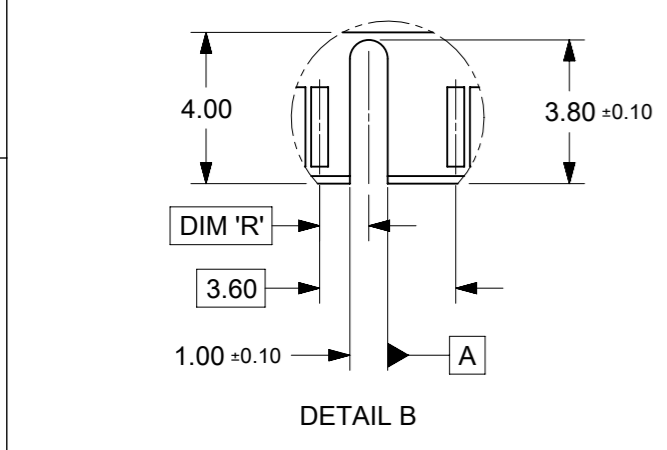
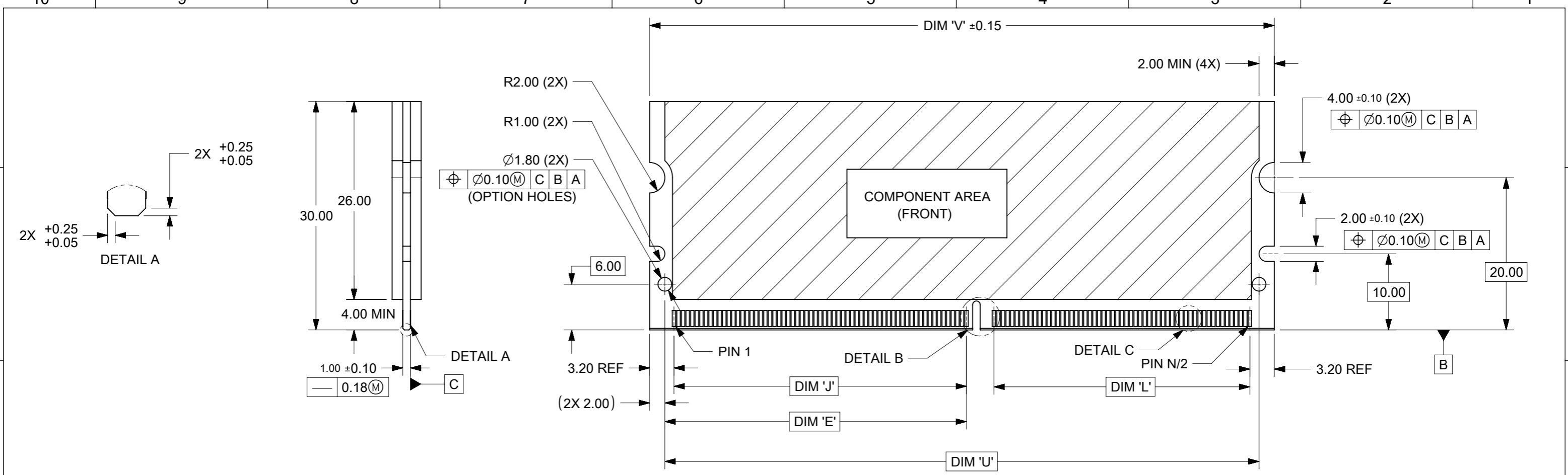
5. PACKING SPECIFICATION: SEE TABLE IN SHEET 4.

6. DATE CODE SHALL BE MARKED LEGIBLY AS SHOWN : YY DDD.

7. PART NUMBER SHALL BE MARKED LEGIBLY AS SHOWN : 78035-XXXX (REFER TO TABLE).

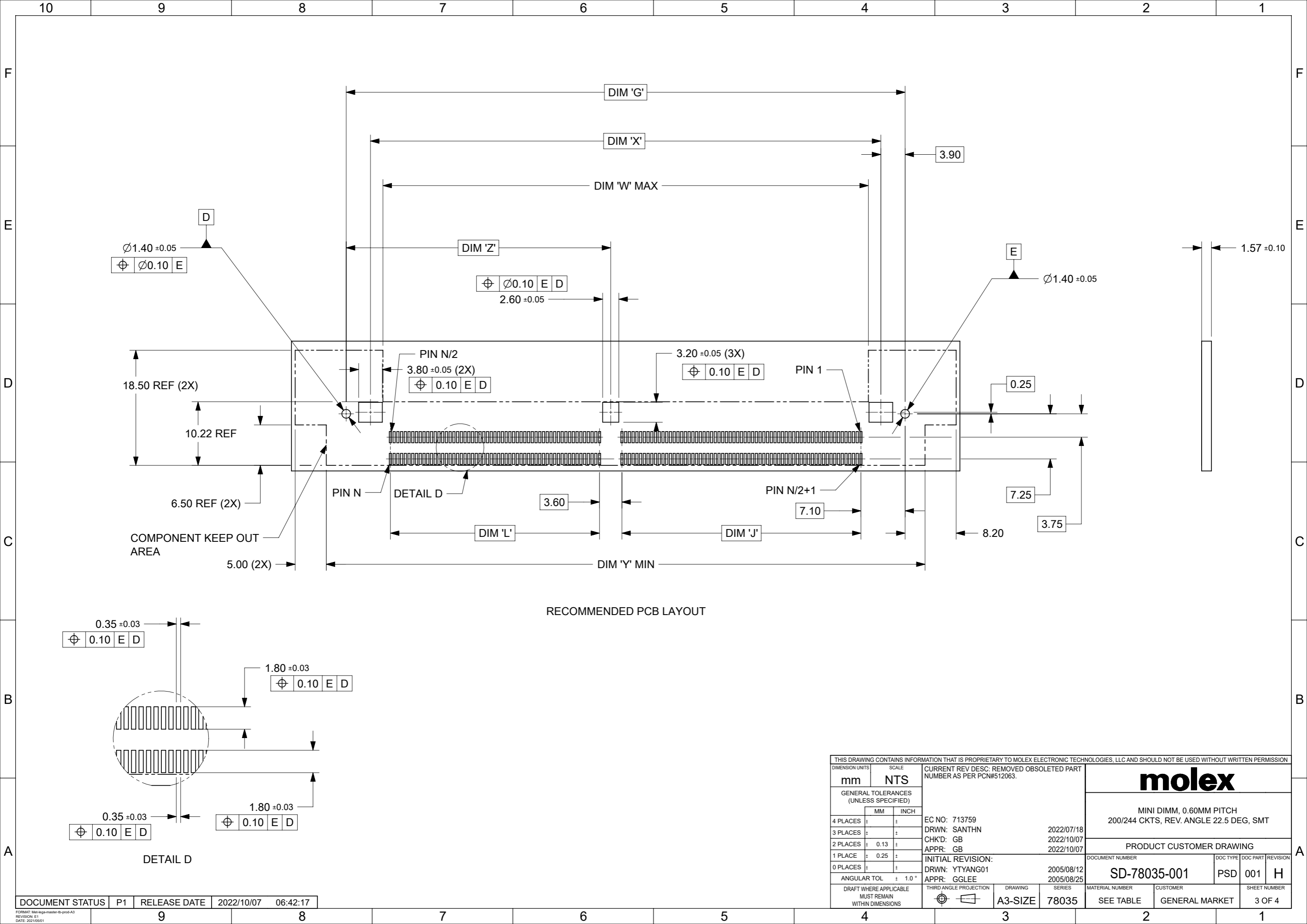
THIS DRAWING CONTAINS INFORMATION THAT IS PROPRIETARY TO MOLEX ELECTRONIC TECHNOLOGIES, LLC AND SHOULD NOT BE USED WITHOUT WRITTEN PERMISSION

DIMENSION UNITS		SCALE		CURRENT REV DESC: REMOVED OBSOLETE PART NUMBER AS PER PCN#512063.				molex		
mm		NTS								
GENERAL TOLERANCES (UNLESS SPECIFIED)				EC NO: 713759				MINI DIMM, 0.60MM PITCH		
				DRWN: SANTHN				200/244 CKTS, REV. ANGLE 22.5 DEG, SMT		
				CHK'D: GB				PRODUCT CUSTOMER DRAWING		
				APPR: GB				DOCUMENT NUMBER		
				INITIAL REVISION:				SD-78035-001		
				DRWN: YTYANG01				DOC TYPE		
				APPR: GGLEE				DOC PART		
				ANGULAR TOL ± 1.0°				REVISION		
				DRAFT WHERE APPLICABLE MUST REMAIN WITHIN DIMENSIONS				H		
				THIRD ANGLE PROJECTION				MATERIAL NUMBER		
				DRAWING				CUSTOMER		
				SERIES				SHEET NUMBER		
				A3-SIZE				SEE TABLE		
				78035				GENERAL MARKET		
								1 OF 4		

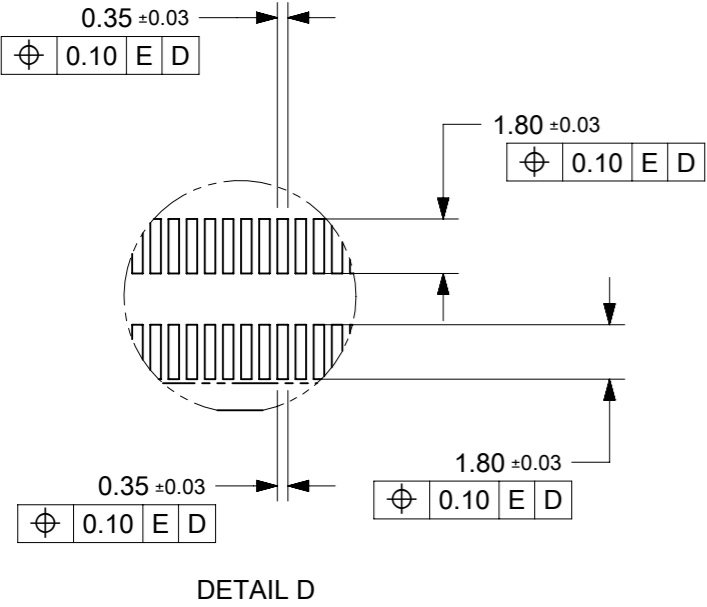


THIS DRAWING CONTAINS INFORMATION THAT IS PROPRIETARY TO MOLEX ELECTRONIC TECHNOLOGIES, LLC AND SHOULD NOT BE USED WITHOUT WRITTEN PERMISSION											
DIMENSION UNITS		SCALE		CURRENT REV DESC: REMOVED OBSOLETE PART NUMBER AS PER PCN#512063.							
mm		NTS									
GENERAL TOLERANCES (UNLESS SPECIFIED)											
		MM		INCH		EC NO: 713759		2022/07/18		MINI DIMM, 0.60MM PITCH	
4 PLACES		±		±		DRWN: SANTHN		2022/10/07		200/244 CKTS, REV. ANGLE 22.5 DEG, SMT	
3 PLACES		±		±		CHK'D: GB		2022/10/07		PRODUCT CUSTOMER DRAWING	
2 PLACES		± 0.13		±		APPR: GB		2022/10/07		DOCUMENT NUMBER	
1 PLACE		± 0.25		±		INITIAL REVISION:				DOC TYPE	
0 PLACES		±		±		DRWN: YTYANG01		2005/08/12		DOC PART	
ANGULAR TOL		± 1.0°		±		APPR: GGLEE		2005/08/25		REVISION	
DRAFT WHERE APPLICABLE MUST REMAIN WITHIN DIMENSIONS				THIRD ANGLE PROJECTION		DRAWING		SERIES		MATERIAL NUMBER	
						A3-SIZE		78035		CUSTOMER	
								SEE TABLE		GENERAL MARKET	
										SHEET NUMBER	
										2 OF 4	

DOCUMENT STATUS	P1	RELEASE DATE	2022/10/07	06:42:17
-----------------	----	--------------	------------	----------

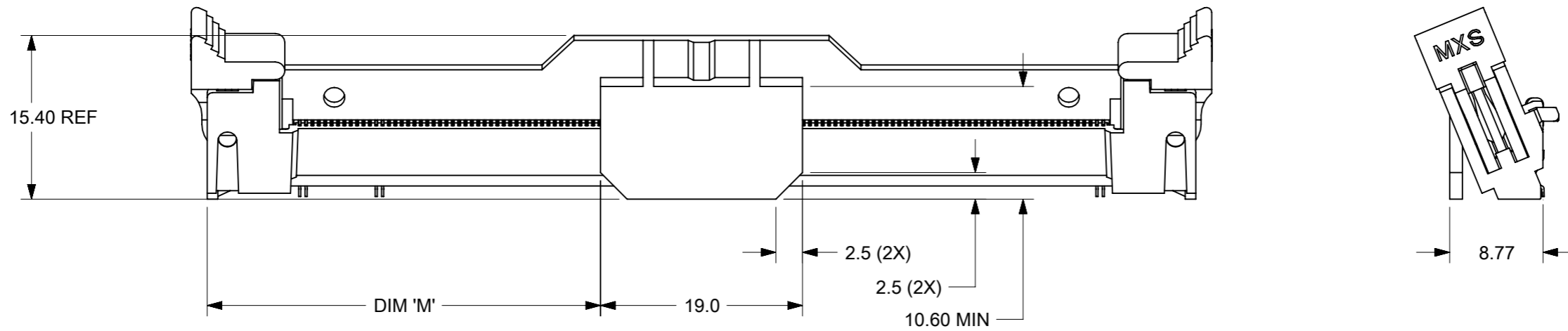


RECOMMENDED PCB LAYOUT



THIS DRAWING CONTAINS INFORMATION THAT IS PROPRIETARY TO MOLEX ELECTRONIC TECHNOLOGIES, LLC AND SHOULD NOT BE USED WITHOUT WRITTEN PERMISSION											
DIMENSION UNITS		SCALE		CURRENT REV DESC: REMOVED OBSOLETE PART NUMBER AS PER PCN#512063.							
mm		NTS									
GENERAL TOLERANCES (UNLESS SPECIFIED)											
		MM		INCH		EC NO: 713759		2022/07/18		2022/10/07	
4 PLACES		±		±		DRWN: SANTHN		2022/10/07		2022/10/07	
3 PLACES		±		±		CHK'D: GB		2022/10/07		2022/10/07	
2 PLACES		± 0.13		±		APPR: GB		2022/10/07		2022/10/07	
1 PLACE		± 0.25		±		INITIAL REVISION:					
0 PLACES		±		±		DRWN: YTYANG01		2005/08/12		2005/08/25	
ANGULAR TOL		± 1.0°				APPR: GGLEE		2005/08/12		2005/08/25	
DRAFT WHERE APPLICABLE MUST REMAIN WITHIN DIMENSIONS				THIRD ANGLE PROJECTION		DRAWING		SERIES		MATERIAL NUMBER	
						A3-SIZE		78035		SEE TABLE	
						GENERAL MARKET		CUSTOMER		SHEET NUMBER	
								GENERAL MARKET		3 OF 4	

DOCUMENT STATUS	P1	RELEASE DATE	2022/10/07	06:42:17
-----------------	----	--------------	------------	----------



SHOW WITH PICK & PLACE COVER

CKT SIZE 'N'	PART NUMBER	MODULE CARD	VOLTAGE KEY	DIM 'R'	DIM 'E'	DIM 'J'	DIM 'L'	DIM 'M'	DIM 'P'	DIM 'G'	DIM 'S'	DIM 'T'	DIM 'U'	DIM 'V'	DIM 'W'	DIM 'X'	DIM 'Y'	DIM 'Z'	DIM 'A'	DIM 'B'	TRAY P/N PACKAGING SPEC
244	78035-0001	DDR2	1.8 V	1.30	39.60	38.40	33.60	37.0	79.0	89.80	96.0	106.20	78.00	82.00	78.0	82.00	96.20	42.50	93.0	75.60	89990-8198 89990-8199 PK-78035-001
	78035-0301	DDR3	1.5 V	2.30																	78888-8026 PK-78035-003 (HARDTRAY)
	78035-6301		1.8 V	1.30																	
	78035-6001	DDR2	1.8 V	1.30																	
200	78035-0202	DDR	2.5 V	2.30	24.60	23.40	35.40	30.40	65.8	76.60	82.8	93.00	64.80	68.80	64.8	68.80	83.00	44.30	79.8	62.40	89990-8196 89990-8197 PK-78035-002

THIS DRAWING CONTAINS INFORMATION THAT IS PROPRIETARY TO MOLEX ELECTRONIC TECHNOLOGIES, LLC AND SHOULD NOT BE USED WITHOUT WRITTEN PERMISSION

DIMENSION UNITS mm	SCALE NTS	CURRENT REV DESC: REMOVED OBSOLETE PART NUMBER AS PER PCN#512063.		molex	
GENERAL TOLERANCES (UNLESS SPECIFIED)		EC NO: 713759			
		DRWN: SANTHN		2022/07/18	
		CHK'D: GB		2022/10/07	
		APPR: GB		2022/10/07	
		INITIAL REVISION:		DOCUMENT NUMBER	
		DRWN: YTYANG01		SD-78035-001	
		APPR: GGLEE		PSD 001 H	
		DRAFT WHERE APPLICABLE MUST REMAIN WITHIN DIMENSIONS		SHEET NUMBER	
		THIRD ANGLE PROJECTION		4 OF 4	
		DRAWING		SERIES	
		A3-SIZE		78035	
		MATERIAL NUMBER		CUSTOMER	
		SEE TABLE		GENERAL MARKET	