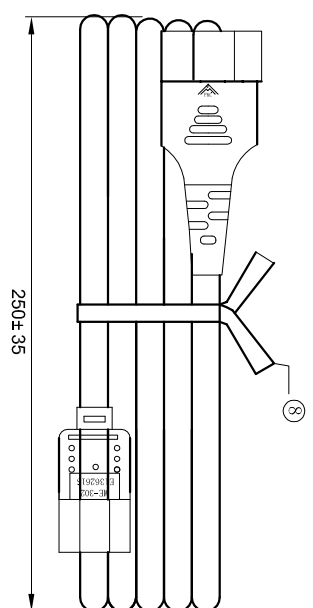
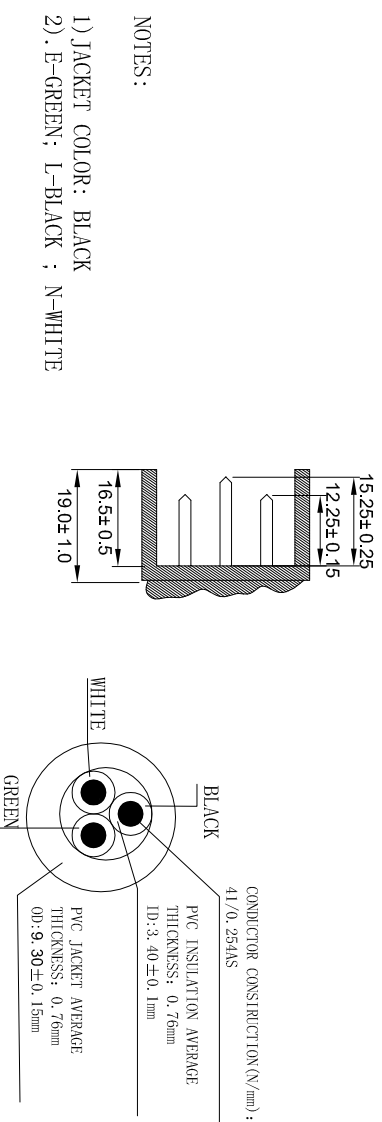
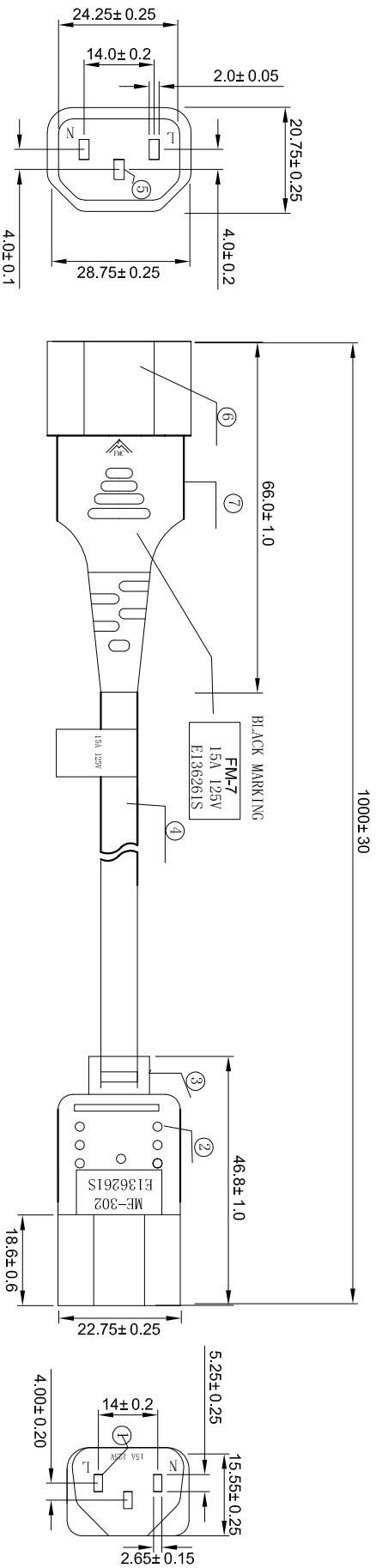


PART NO.	FM-7 ME-302 WIRE	SCALE	1 : 1
DESCRIPTION	SJT#14*3C 60C	UNIT:	mm
DWG No.	800-1400-0-SJT0-BL-00100		



- NOTES:
- 1) JACKET COLOR: BLACK
 - 2). E-GREEN; L-BLACK; N-WHITE
- TESTING:
- 1) 100% OPEN & SHORT TESTING
 - 2) INSULATION RESISTANCE: 100M ohm (min)
 - 3) VOLTAGE: DC500V/1min
 - 4) ROHS COMPLIANT

NO.	SPECIFICATION	COLOUR	MATERIAL	AMOUNT
①	play home terminals	Silver	Cu	3P
②	Model aircraft	WHITE	PBT	1PCS
③	Mother play MF-302	BLACK	PVC Cu	1PCS
④	Wire SJT 14AWG/3C 60C	BLACK	PVC Cu	1PCS
⑤	Interpolation public terminal	Silver	Cu	3P
⑥	Moldbase inserted within the public	WHITE	PBT	1PCS
⑦	Public play FM-7	BLACK	PVC Cu	1PCS
⑧	Ties	BLACK		1PCS

Printing the contents of wire The use of printing ink replenish Wire

E293711 (UL) SJT 3X14AWG(2.08mm) VW-1 60°C 300V CSA 228191 SJT 3X14 AWG(2.08mm) FT2 60°C 300V -1P-

REV	DATE	DESCRIPTION	SYMBOL

DRAWN/DATE	CHECKED/DATE	CAI/10.11.3	GONG/11.05.17