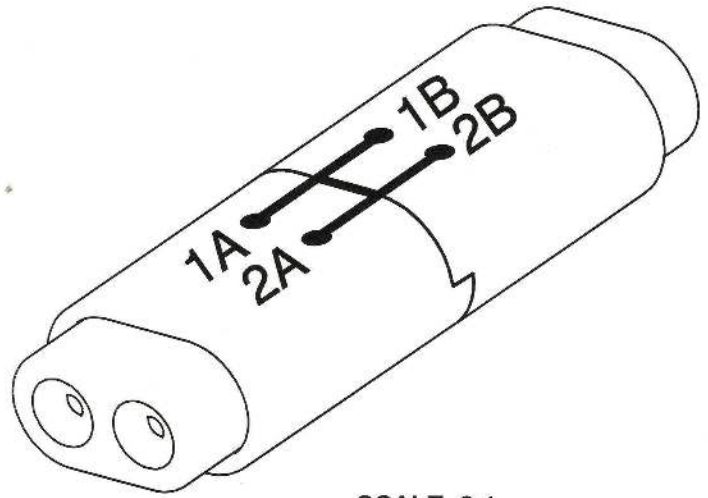
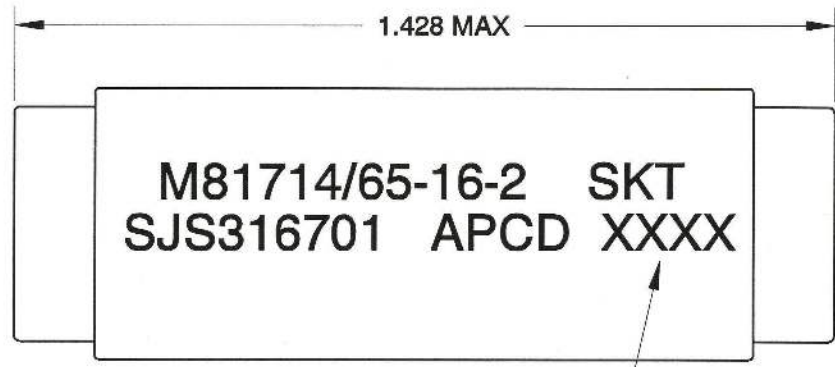
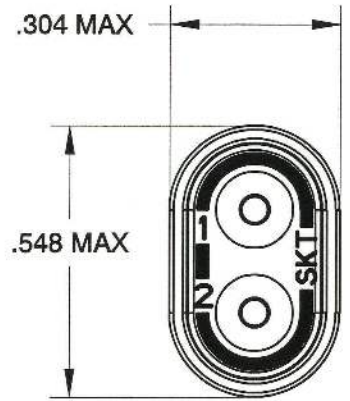


REV	ECN	APP'D
-	4679	JT 12/20/01
A	5793	RS 1/27/06
B	5971	



SCALE 3:1

NOTES:

- MATERIALS:  
 INSULATOR BODY: POLYETHERIMIDE PER ASTM-5205  
 WIRE-SEALING GROMMET: SILICONE RUBBER PER A-A-59588  
 INTERNAL CONTACT: COPPER ALLOY, GOLD FINISH
- PART ACCEPTS M39029/22-193 SOCKET CONTACTS - PER TABLE
- OPERATING RANGE:  
 TEMPERATURE: -65° C TO 200° C  
 INSULATION RESISTANCE: 5000 MEGOHMS MIN  
 DIELECTRIC WITHSTANDING VOLTAGE: 1500 VRMS, SEA LEVEL  
 200 VRMS, 100,000 FT ALTITUDE  
 CURRENT RATING: 13 AMPS  
 VIBRATION AND SHOCK: PER MIL-T-81714, PARA. 3.5.5 AND 3.5.8.

PART NO.	DESCRIPTION	P/N MARKING
SJS316601	CONTACTS NOT SUPPLIED	SJS316701
SJS316701	QTY 5, M39029/22-193 INCLUDED QTY 1, MS27488-16-1 SEALING PLUG INCLUDED	

DIMENSIONS ANSI Y14.5M UNITS: INCHES Pro/E FILE	TOLERANCES .XX ±0.01 .XXX ±0.005 ANGLES ±10°	PROJECTION 	<b>Amphenol Pcd</b> SPECIFICATION DRAWING		TITLE <p style="text-align: center;"><b>SJS WIRE SPLICE, DOUBLE BUSSED, SIZE 16</b></p>
			ENGR S. HORNER	12/17/01	
			THIS DOCUMENT CONTAINS PROPRIETARY INFORMATION WHICH IS THE CONFIDENTIAL PROPERTY OF AMPHENOL PCD INC., PEABODY, MA		CODE: 58982
			CHKD 10/24/06 APPD 10/24/06		SCALE: 3:1
					SHEET 1 OF 1