

4

3

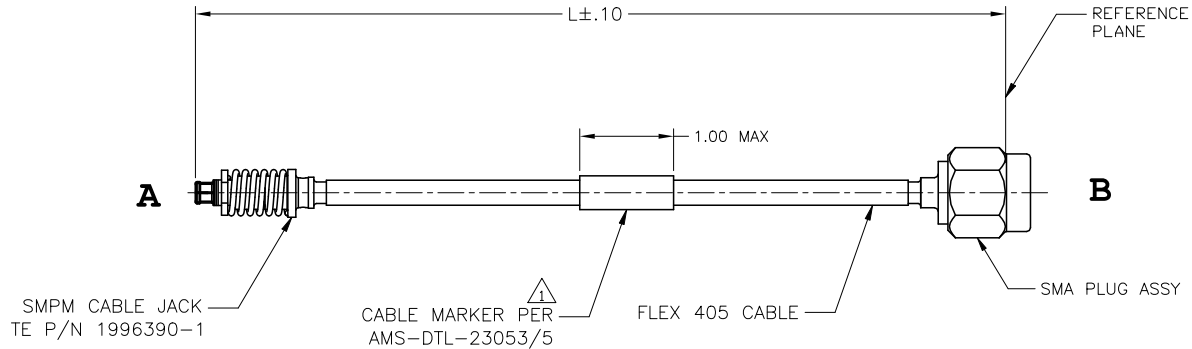
2

1

© - TE Connectivity. All Rights Reserved.

REVISIONS

P	LTR	DESCRIPTION	DATE	DWN	APVD
B		REV PER ECO 20-006193	5-12-20	CT	DHW



- 1. PART NUMBER, DATE CODE AND "TE" MARKED ON CABLE MARKER.
- 2. VSWR: 1.2 MAX, DC - 10 GHz  
1.35 MAX 10-18 GHz

18.00	1-2221289-8
17.00	1-2221289-7
16.00	1-2221289-6
15.00	1-2221289-5
14.00	1-2221289-4
12.00	1-2221289-2
10.00	1-2221289-0
6.00	2221289-6
4.00	2221289-4
3.00	2221289-3
DIM "L"	PART NUMBER

THIS DRAWING IS A CONTROLLED DOCUMENT.

DIM: D.WILSON	25MAY2012		TE Connectivity																					
CHK: C.C.THOMAS	6-27-12		NAME: RF CABLE ASSEMBLIES, SMPM FLOAT MOUNT FEMALE TO SMA STRAIGHT PLUG ON FLEX .086																					
APRO: D.WILSON	6-27-12	PRODUCT SPEC:	SIZE: A2	CAGE CODE: 00779	DRAWING NO: 2221289	RESTRICTED TO:																		
DIMENSIONS: INCHES		TOLERANCES UNLESS OTHERWISE SPECIFIED:	MATERIAL: -																					
<table border="1"> <tr><td>0 PLC</td><td>±</td><td>-</td></tr> <tr><td>1 PLC</td><td>±</td><td>-</td></tr> <tr><td>2 PLC</td><td>±</td><td>-</td></tr> <tr><td>3 PLC</td><td>±</td><td>-</td></tr> <tr><td>4 PLC</td><td>±</td><td>-</td></tr> <tr><td>ANGLES</td><td>±</td><td>-</td></tr> </table>		0 PLC	±	-	1 PLC	±	-	2 PLC	±	-	3 PLC	±	-	4 PLC	±	-	ANGLES	±	-	APPLIC. SPEC:	WEIGHT: 0.000000			
0 PLC	±	-																						
1 PLC	±	-																						
2 PLC	±	-																						
3 PLC	±	-																						
4 PLC	±	-																						
ANGLES	±	-																						
MATERIAL: -		FINISH: -	CUSTOMER DRAWING																					
SCALE: NTS		SHEET: 1 of 1		REV: B																				

2221289