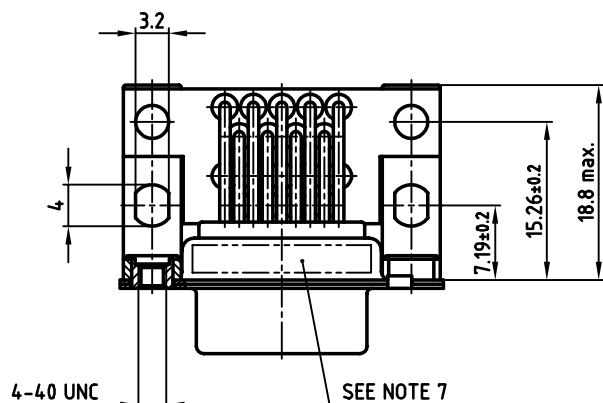
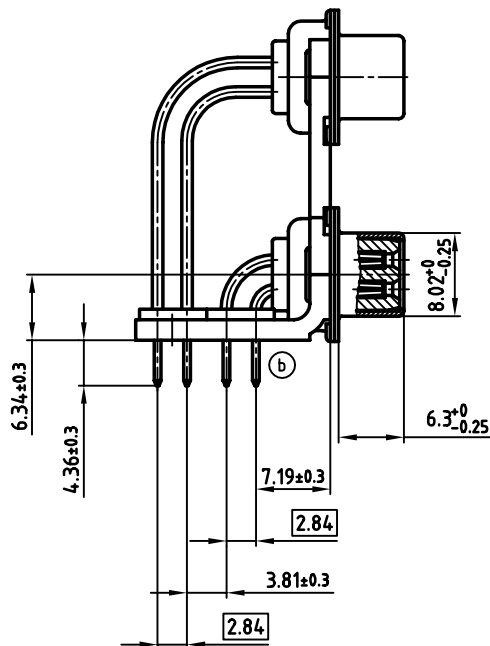
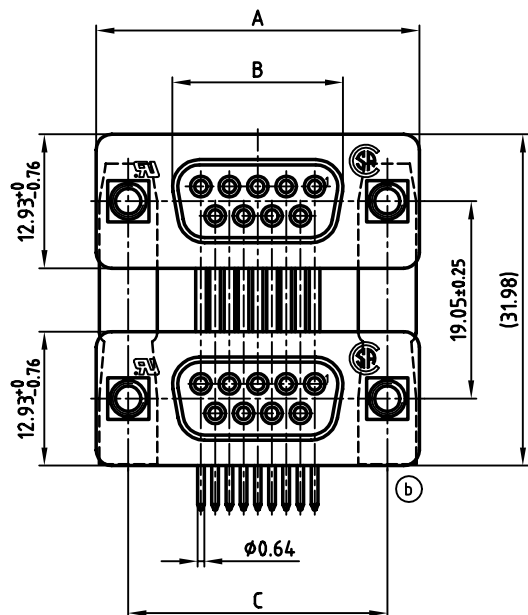


used for: D-SUB

POS.	A -0.76	B -0.25	C	D -0.3	PART-NO.
2x 9	31.19	16.46	25.00 <sup>+0.12</sup> / <sub>-0.13</sub>	6.12	164A15929X
2x15	39.52	24.79	33.30 <sup>+0.15</sup> / <sub>-0.1</sub>	6.12	164A15939X
2x25	53.42	38.50	47.04 <sup>+0.13</sup>	5.99	164A15949X
2x37	69.70	54.96	63.50 <sup>+0.13</sup>	5.99	164A15959X



**NOTES:**

- METALSHELLS: STEEL; min. 320µ" TIN
- INSULATORS: PBT GF UL 94 V-0, BLACK
- CONTACTS: COPPER ALLOY  
PLATING: min. 8µ" HARD GOLD OVER min. 50µ" NICKEL
- METAL BRACKET: STEEL; min. 320µ" TIN over 80µ" NICKEL
- THREADED INSERT: COPPER ALLOY; min. 200µ" TIN over 80µ" NICKEL
- MAXIMUM TORQUE VALUE FOR THREAD: 6" LBS
- CONNECTOR IS PART MARKED: PART-NO. CONEC Y/MM
- = CRITICAL DIMENSION

Directive 2002/95/EC  
"RoHS"  
Compliant

APPROVAL # FREIGABE # DEBLOCAGE # AUTORIZACION # APPROVAL	
CUSTOMER APPROVAL DATE:	
NAME:	TITLE:
COMPANY NAME:	
APPROVAL # FREIGABE # DEBLOCAGE # AUTORIZACION # APPROVAL	

THIS DRAWING MAY NOT BE COPIED OR REPRODUCED IN ANY WAY, AND MAY NOT BE PASSED ON TO A THIRD PARTY, WITHOUT WRITTEN PERMISSION. OWNERSHIP AND COPYRIGHT OF CONEC GMBH DO NOT ALTER CAD DRAWING BY HAND

rev.	description	date	name
2 x b	Ä 1487	10.04.2002	Parei

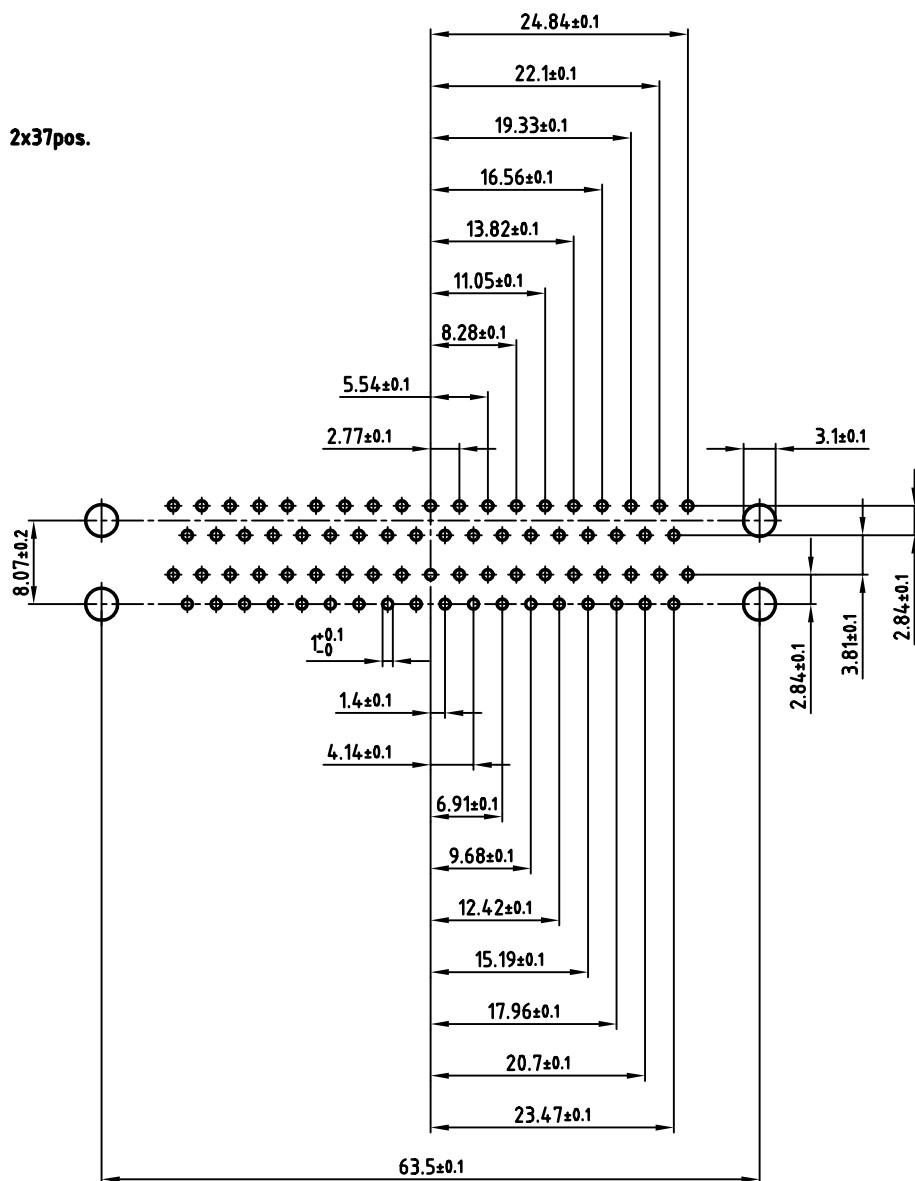
tolerance		
2002	date	
drawn	28.02.	name Parei
appd.	28.02.	E. Mickenbecker
norm		DIN 41652
d-old		

scale:	2:1	
material:	SEE NOTES	
title:		
<b>DUAL PORT 19.05mm</b> 2x9 - 2x37pos. FEMALE / FEMALE with threaded insert		
dwg no:	AutoCAD 2000	DIN-A
<b>16K1A512</b>		3
part no:		SEE TABLE

A

used for: D-SUB

2x37pos.



APPROVAL # FREIGABE # DEBLOCAGE # AUTORIZACION # APPROVAL	
CUSTOMER APPROVAL DATE:	
NAME:	TITLE:
COMPANY NAME:	
APPROVAL # FREIGABE # DEBLOCAGE # AUTORIZACION # APPROVAL	

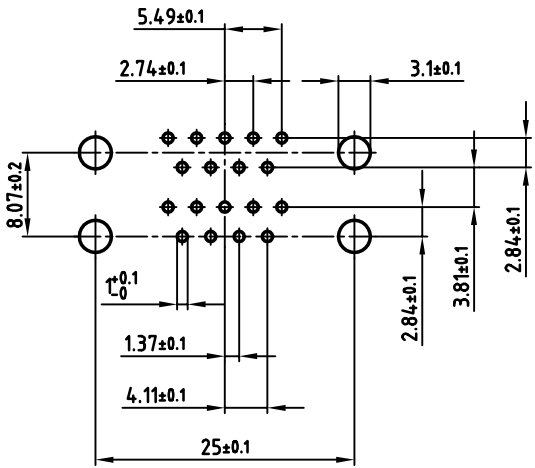
THIS DRAWING MAY NOT BE COPIED OR REPRODUCED IN ANY WAY, AND MAY NOT BE PASSED ON TO A THIRD PARTY, WITHOUT WRITTEN PERMISSION. OWNERSHIP AND COPYRIGHT OF CONEC GmbH DO NOT ALTER CAD DRAWING BY HAND

rev.	description	date	name

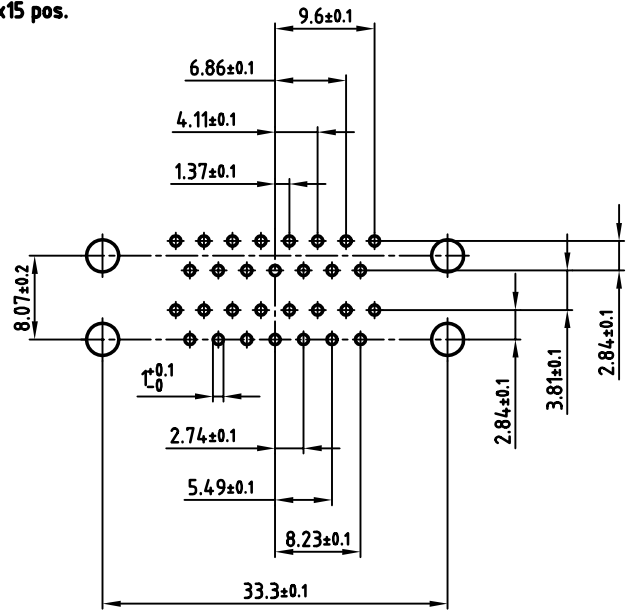
tolerance	
2002	date
drawn	18.10.
name	Parei
appd.	18.10.
name	Mickenbecker
norm	DIN 41652
d-old	

scale:	2:1	
material:	SEE SHEET 1	
title:	P.C.B. HOLE DRILLINGS	
	DUAL PORT 19.05mm 2x9 - 2x37pos. FEMALE	
	with threaded insert	
dwg no:	AutoCAD 2000	DIN-A
	16K1A512	3
		sh:3/3
part no:	SEE SHEET 1	

2x9 pos.

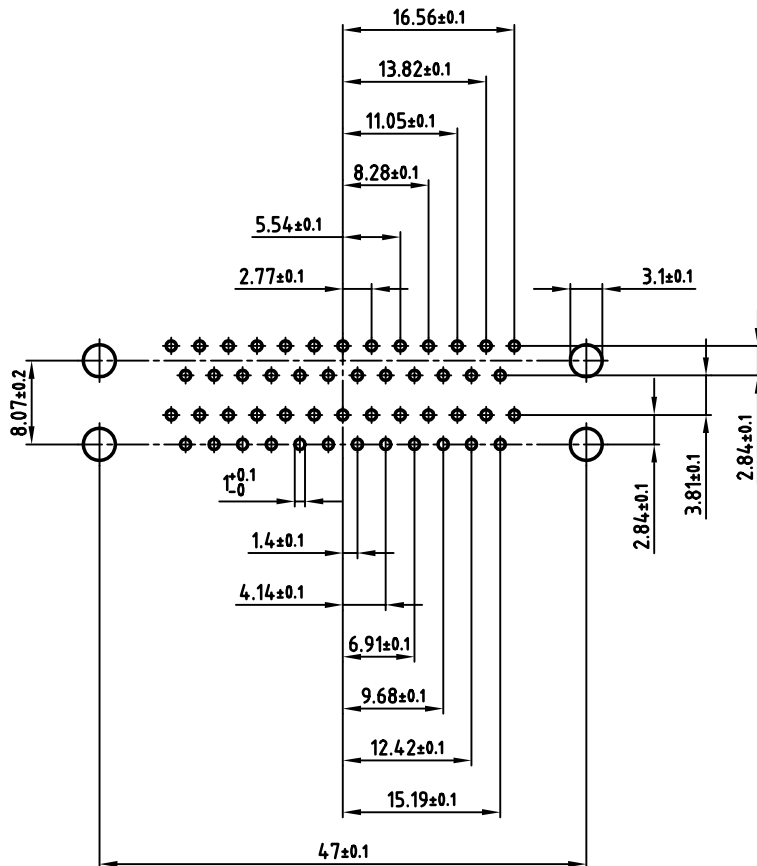


2x15 pos.



used for: D-SUB

2x25 pos.



APPROVAL # FREIGABE # DEBLOCAGE # AUTOR/ZACON # APPROVAL

CUSTOMER APPROVAL DATE:

NAME: TITLE:

COMPANY NAME:

APPROVAL # FREIGABE # DEBLOCAGE # AUTOR/ZACON # APPROVAL

THIS DRAWING MAY NOT BE COPIED OR REPRODUCED IN ANY WAY, AND MAY NOT BE PASSED ON TO A THIRD PARTY, WITHOUT WRITTEN PERMISSION. OWNERSHIP AND COPYRIGHT OF CONEC Gmbh DO NOT ALTER CAD DRAWING BY HAND

rev.	description	date	name

tolerance	
2002	date
drawn	18.10.
name	Parei
appd.	18.10.
name	Mickenbecker
norm	DIN 41652
d-old	
<b>CONEC</b>	

scale: 2:1

material: SEE SHEET 1

title: P.C.B. HOLE DRILLINGS  
DUAL PORT 19.05mm 2x9 - 2x37pos. FEMALE  
with threaded insert

dwg no: AutoCAD 2000 DIN-A  
16K1A512 3 sh:2/3

part no: SEE SHEET 1