

TABLE OF CONTENTS	
SHEET NO.	SHEET DESCRIPTION
1	NOTES AND BOM
2	CONFIGURATIONS
3-4	KEY CONFIGURATIONS
5	RECEPTACLE CONNECTOR ASSEMBLY
6	2X10 CONNECTOR INTERFACE DEFINITION

NOTES: VALID UNLESS OTHERWISE SPECIFIED

1. GENERAL:

a. APPLICATION SPECIFICATION SEE: AS-33472-100
 -CONTAINS: PRODUCT INTRODUCTION, PRODUCT SUMMARY, CONNECTOR ASSEMBLY, PACKAGING INFORMATION, CONNECTOR MATING, SERVICE INSTRUCTIONS, ELECTRICAL CONTINUITY CHECKING, CRIMPING, AND TROUBLESHOOTING.
 -DESIGNED TO MATE WITH DEVICE OR CONNECTOR AS SPECIFIED IN THE MATING INTERFACE/CONNECTOR DRAWINGS CHART.
 *DENOTES DRAWINGS THAT CAN BE ACCESSED AT <http://ewcap.uscarteams.org/>.
 -ASSEMBLY SHIPPED WITH PLR IN PRE-LOCK POSITION (SEE PLR PRE-LOCK VIEW SHEET 5).

b. PRODUCT SPECIFICATION SEE: PS-160008-0001
 CONTAINS: SCOPE, PRODUCT DESCRIPTION, INTEGRAL COMPONENTS AND ACCESSORIES, APPLICABLE DOCUMENTS AND SPECIFICATIONS, RATINGS, PERFORMANCE, PACKAGING, GUAGES AND FIXTURES, AND OTHER INFORMATION.

c. PACKAGING SPECIFICATION PER MOLEX DRAWING: SEE PACKAGING CHART.

d. PARTS MUST BE IN COMPLIANCE TO MOLEX CHEMICAL SUBSTANCES FOR PRODUCTS AND PACKAGING SPECIFICATION: QEHS-699000-300

e. DATA MUST BE SUBMITTED UNDER THE MOLEX PART NUMBER TO IMDS (COMPANY ID#13255)

2. DESIGN - MATERIALS:

a. SEE BOM TABLE IN SD-160008-0002

3. DESIGN - GEOMETRY:

a. THE 3-D CAD DATA IS BASIC (WITHOUT TOLERANCE) AND MASTER FOR THIS PART WITH THE EXCEPTION OF UNDERLINED DIMENSIONS. DIMENSIONAL INFORMATION NOT SHOWN ON THIS DRAWING IS DEFINED BY THE DATA FILE AT ITS LATEST REVISION.

b. GEOMETRIC DIMENSIONS AND TOLERANCES PER ASME Y14.5M-2009

c. EDGES AND UNDIMENSIONED DETAILS PER ISO13715

d. CORNERS SHOWN AS SHARP TO BE R 0.2 MAX.

e. LETTERING SHALL BE 0.15 MAX RAISED IN 0.25 MAX RECESS PAD.
 THIS INCLUDES RECYCLING CODE, CAVITY ID, VENDOR IDENTIFICATION, AND CUSTOMER MATERIAL NUMBER.

f. VISUAL DEFECTS SHALL MEET COSMETIC STANDARD PS-45499-002 (Class B).

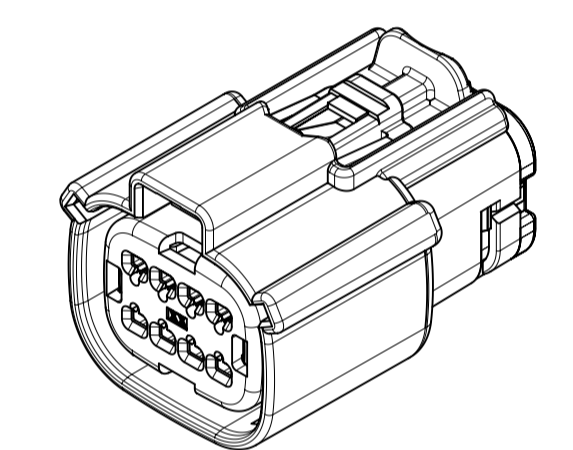
g. LASER MARKING:

- PART NUMBER
- DAY OF THE YEAR
- SHIFT
- YEAR

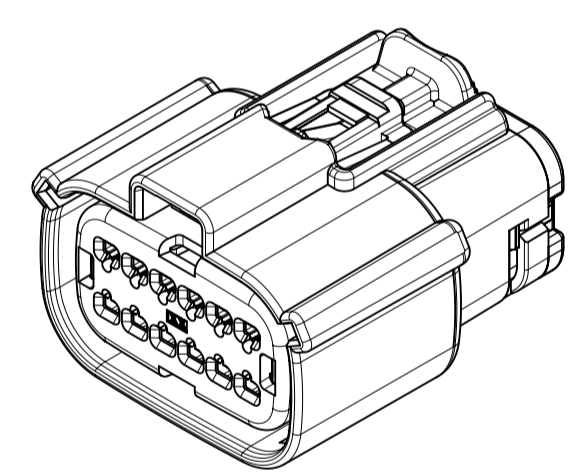
FOR ADDITIONAL INFORMATION SEE SECTION 5 UNDER PROCEDURES IN ES-34735-008.

PACKAGING	
DESCRIPTION	DRAWING NO.
2X2	TBD
2X3	TBD
2X4	PK-33472-001
2X6	PK-31300-903
2X8	TBD
2X10	PK-31300-903

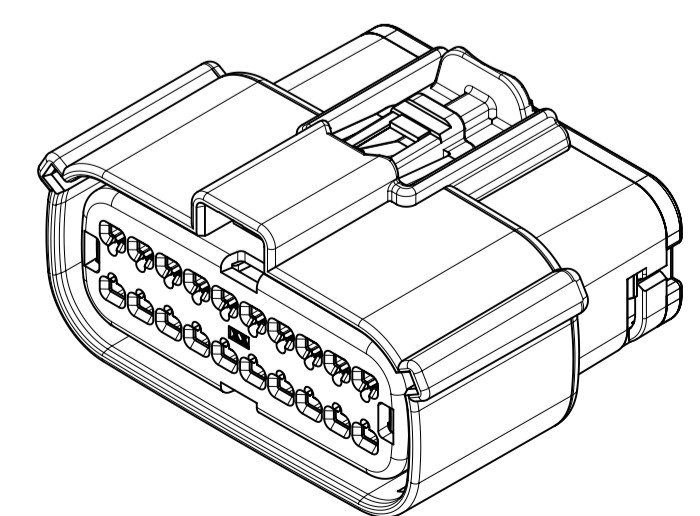
MATING CONNECTOR DRAWINGS		
DESCRIPTION	INTERFACE DEFINITION	MOLEX INLINE
2X2	*150-S-004-2-Z02	TBD
2X3	*150-S-006-2-Z02	TBD
2X4	*150-S-008-2-Z02	SD-160011-0001
2X6	*150-S-012-2-Z01	SD-160011-0001
2X8	*150-S-016-2-Z01	TBD
2X10	E-160008-0001	SD-160011-0001



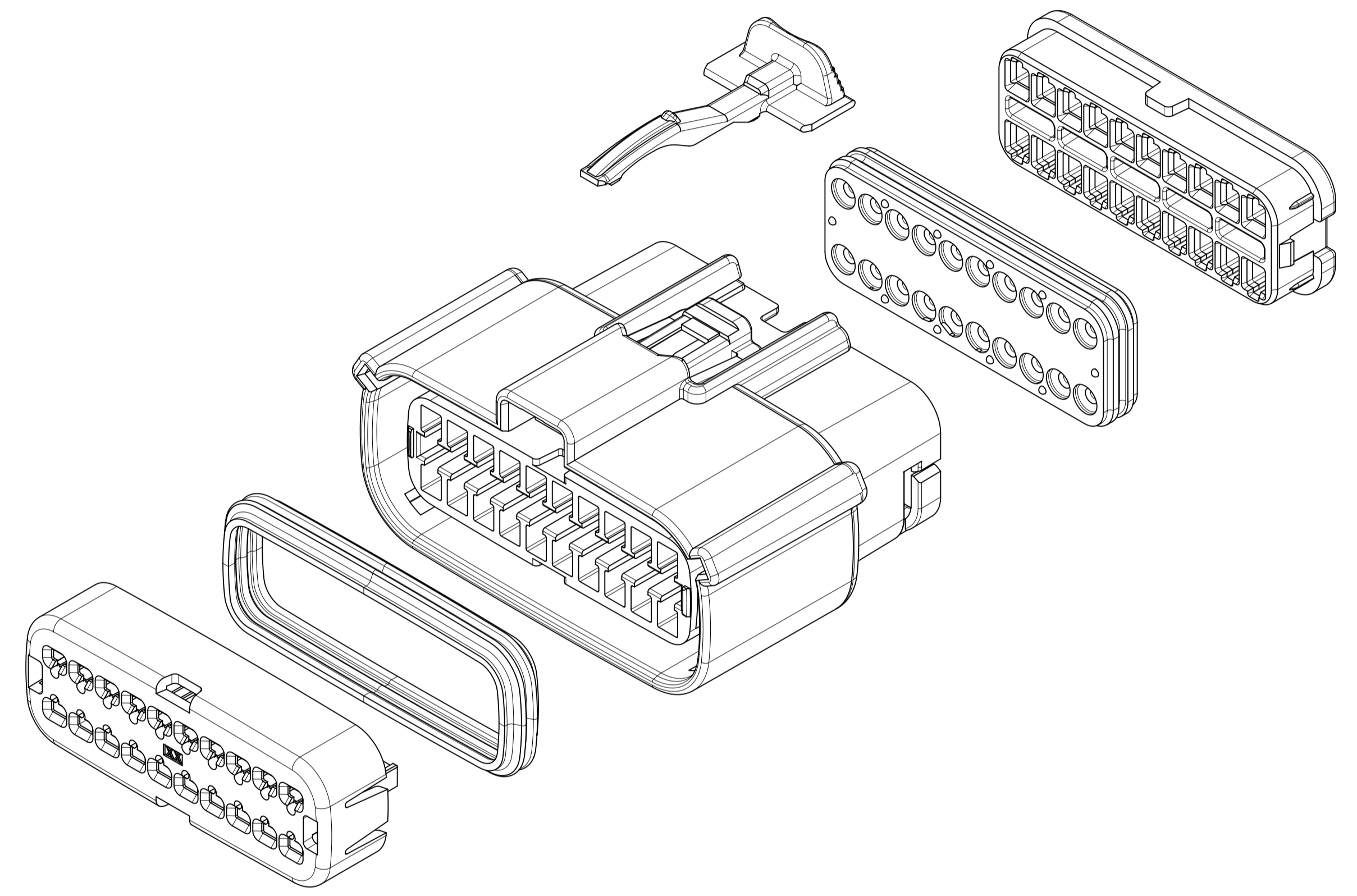
2X4



2X6



2X10

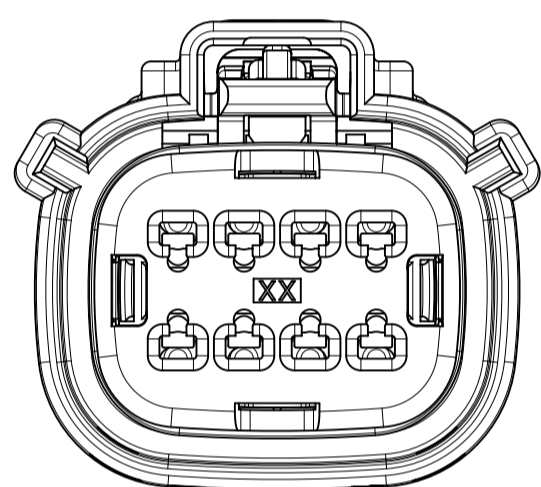


INSPECTION NUMBER LOG	
LAST NUMBER:	
ADDED:	
REMOVED:	

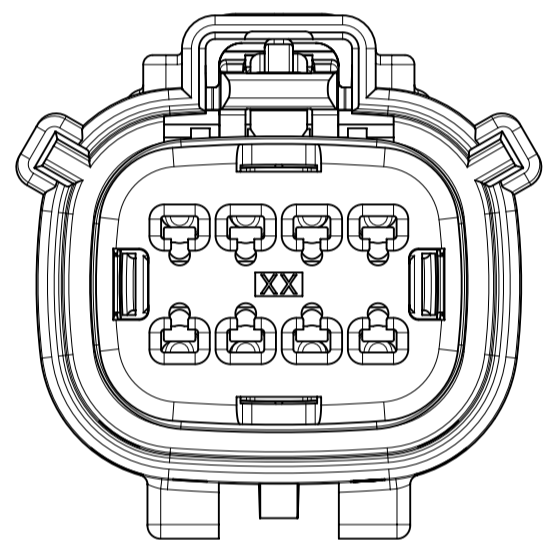
A5	ADDED MOLEX BACKSHELL DETAILS
A4	UPDATED INTERFACE SHEET
A3	ADDED SHEET 6 & UPDATED PASS THRU
A2	UPDATED NOTES
A1	UPDATED DIM 4
A	INITIAL RELEASE
REV	REV DESCRIPTION

SYMBOLS = 0 = 0 = 0 = 0 = 0 = 0 = 0 = 0 = 0	THIS DRAWING CONTAINS INFORMATION THAT IS PROPRIETARY TO MOLEX ELECTRONIC TECHNOLOGIES, LLC AND SHOULD NOT BE USED WITHOUT WRITTEN PERMISSION DIMENSION UNITS: mm SCALE: 1.5:1 GENERAL TOLERANCES (UNLESS SPECIFIED) ANGULAR TOL ± 3.0° 4 PLACES ± 3 PLACES ± 2 PLACES ± 0.1 1 PLACE ± 0.2 0 PLACES ± DRAFT WHERE APPLICABLE MUST REMAIN WITHIN DIMENSIONS	CURRENT REV DESC: EC NO: 173183 DRWN: DDEB 2018/02/23 CHK'D: MVANSLAMBROU 2018/03/07 APPR: MVANSLAMBROU 2018/03/07 INITIAL REVISION: DRWN: KBORUSZEWSKI 2014/02/19 APPR: VKOSHY 2014/03/05	 MX150 GEN 2 RECEPTACLE DUAL ROW SEALED ASSEMBLY MAT SEAL PRODUCT CUSTOMER DRAWING
	DOCUMENT NUMBER: SD-160008-0001 DOC TYPE: PSD DOC PART: 001 REVISION: A6	MATERIAL NUMBER: 160008 CUSTOMER: GENERAL MARKET SHEET NUMBER: 1 OF 11	

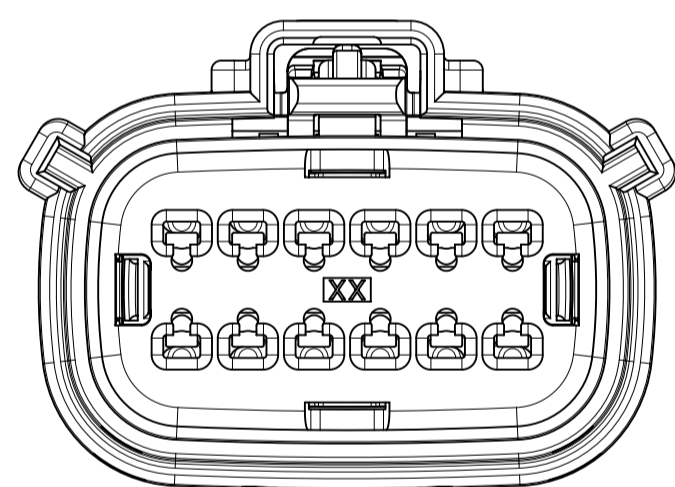
SHEET DESCRIPTION
CONFIGURATIONS



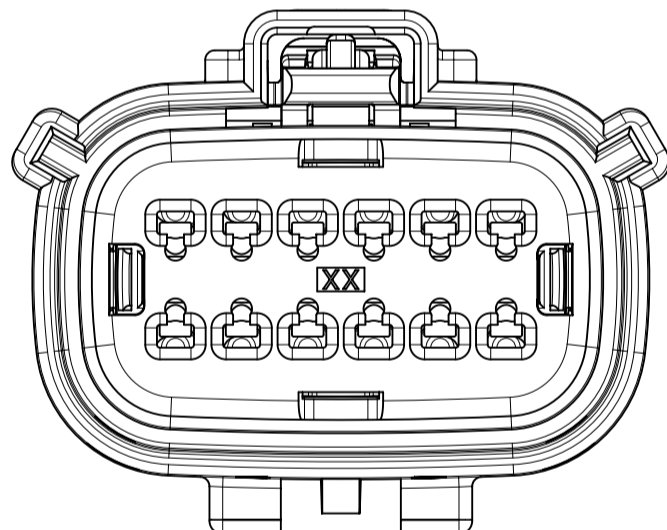
2X4
STANDARD



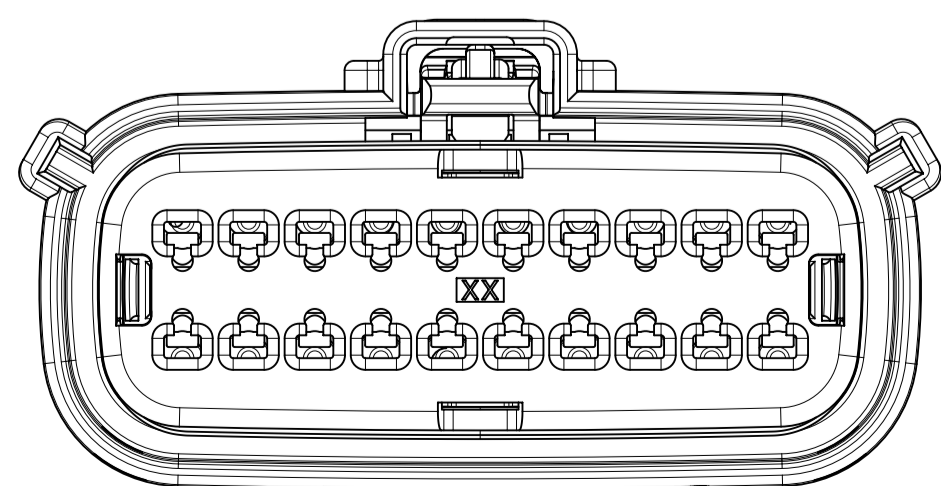
2X4
WITH CLIPSLOT *



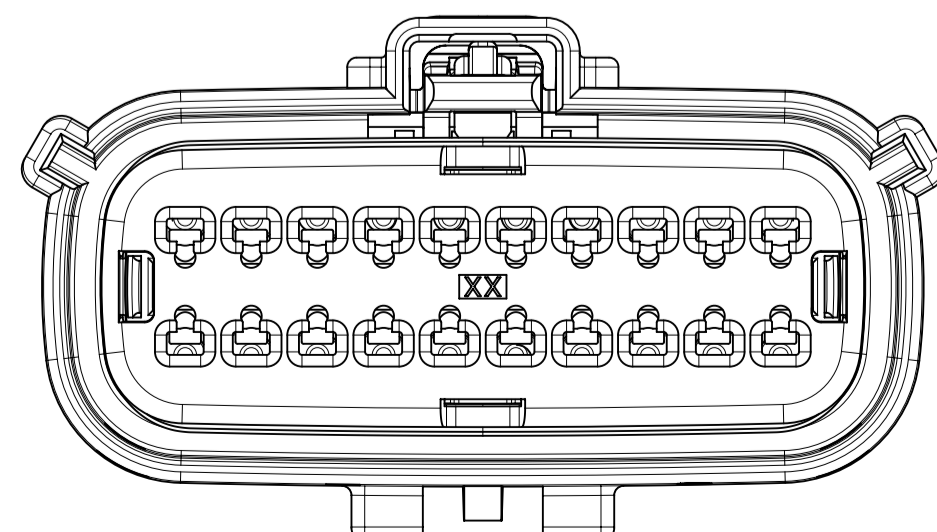
2X6
STANDARD



2X6
WITH CLIPSLOT *



2X10
STANDARD



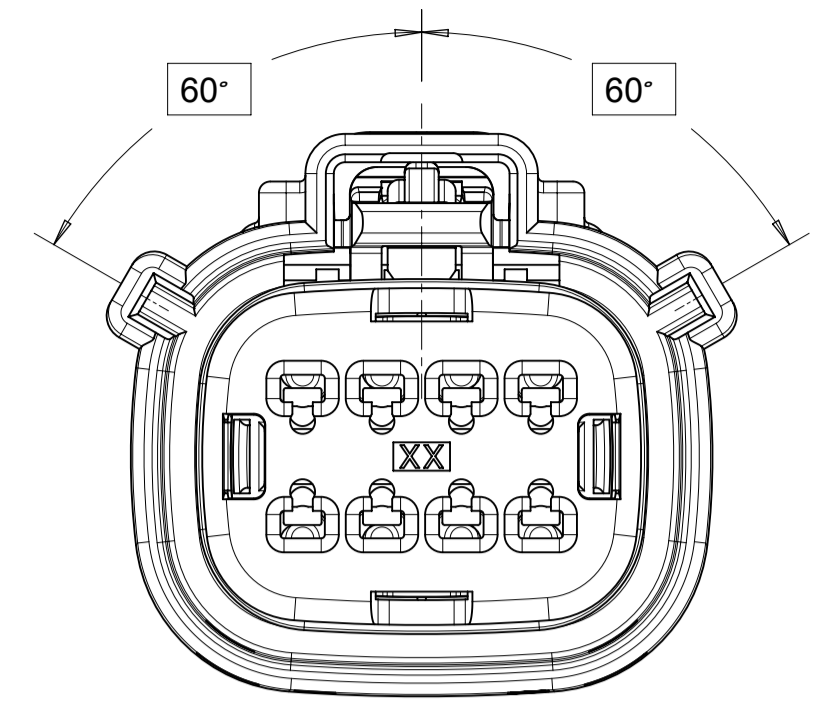
2X10
WITH CLIPSLOT *

* WITH CLIPSLOT CONFIGURATION DOES NOT MEET THE USCAR PACKAGING FRAME REQUIREMENTS.

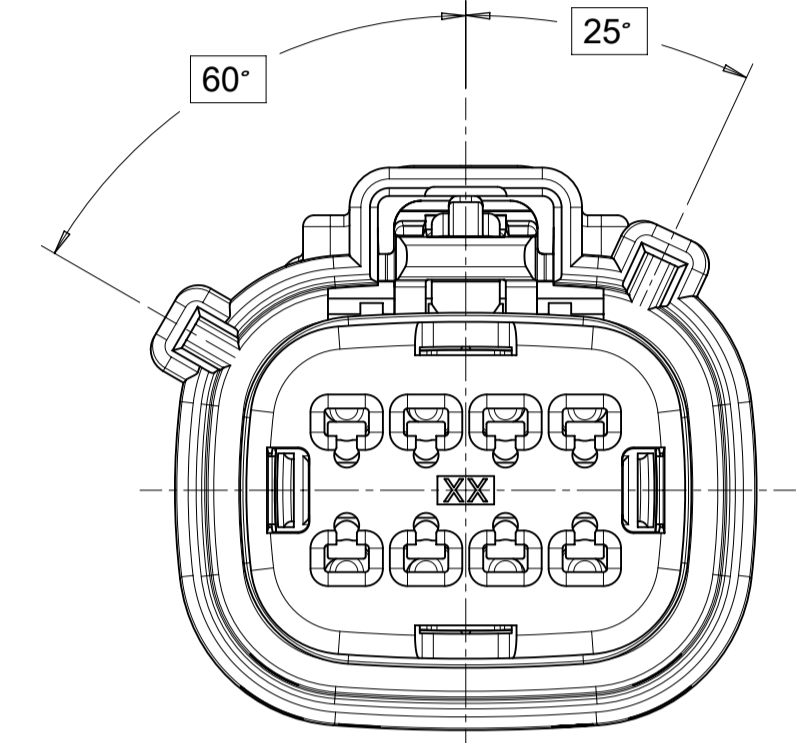
SYMBOLS	THIS DRAWING CONTAINS INFORMATION THAT IS PROPRIETARY TO MOLEX ELECTRONIC TECHNOLOGIES, LLC AND SHOULD NOT BE USED WITHOUT WRITTEN PERMISSION		CURRENT REV DESC:						
	DIMENSION UNITS	SCALE						EC NO: 173183	DRWN: DDEB
▽ = 0	mm	1:1	GENERAL TOLERANCES (UNLESS SPECIFIED)		CHK'D: MVANSLAMBROU	2018/03/07	MX150 GEN 2 RECEPTACLE DUAL ROW SEALED ASSEMBLY MAT SEAL		
▽ = 0	ANGULAR TOL ± 3.0°		4 PLACES ±		APPR: MVANSLAMBROU	2018/03/07	PRODUCT CUSTOMER DRAWING		
▽ = 0	3 PLACES ±		2 PLACES ± 0.1		INITIAL REVISION:		SD-160008-0001		
▽ = 0	2 PLACES ± 0.2		1 PLACE ± 0.2		DRWN: KBORUSZEWSKI	2014/02/19	GENERAL MARKET		
▽ = 0	0 PLACES ±		DRAFT WHERE APPLICABLE MUST REMAIN WITHIN DIMENSIONS		APPR: VKOSHY	2014/03/05	2 OF 11		
▽ = 0	THIRD ANGLE PROJECTION		DRAWING		SERIES		SHEET NUMBER		
▽ = 0	A1-SIZE		160008		GENERAL MARKET		2 OF 11		

SHEET DESCRIPTION
KEY CONFIGURATIONS

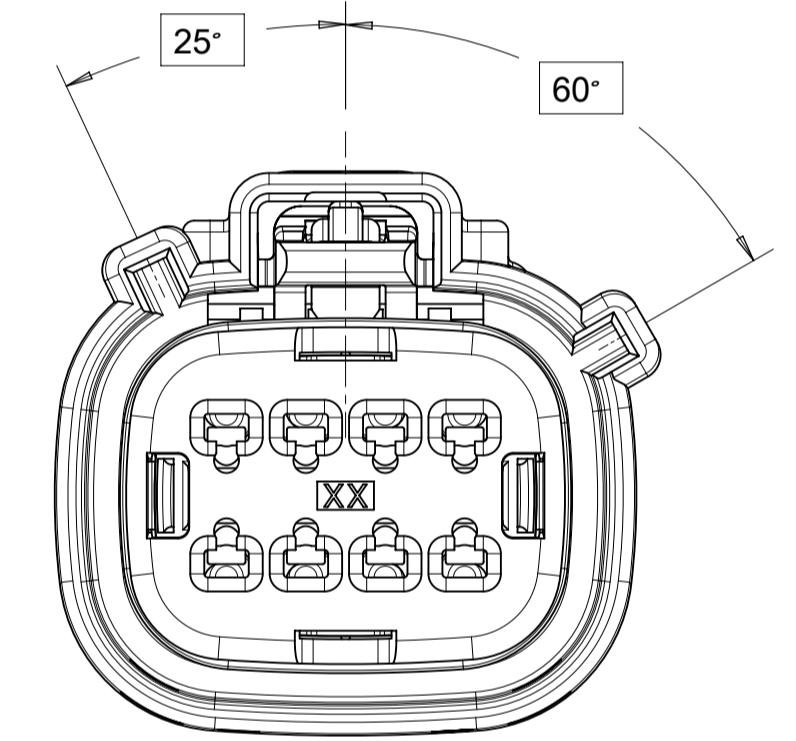
2X4



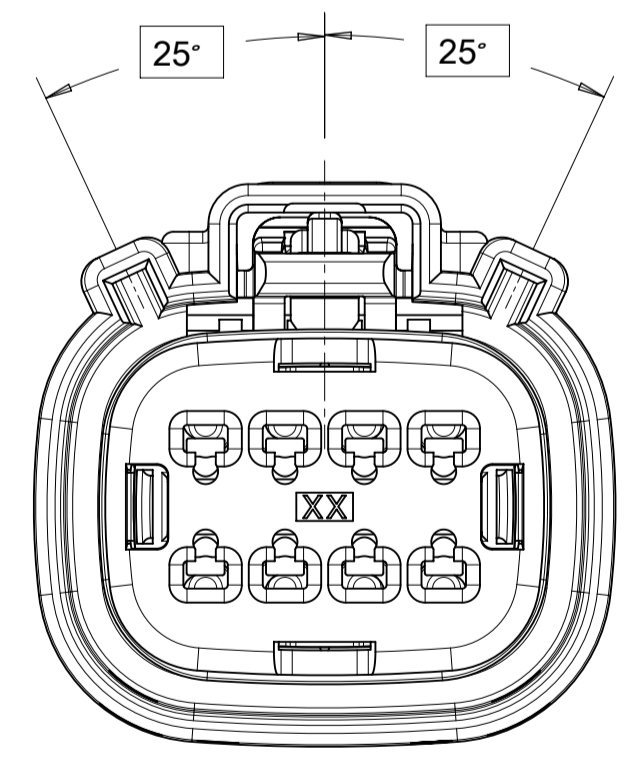
KEY A



KEY B



KEY C



KEY D

THIS DRAWING CONTAINS INFORMATION THAT IS PROPRIETARY TO MOLEX ELECTRONIC TECHNOLOGIES, LLC AND SHOULD NOT BE USED WITHOUT WRITTEN PERMISSION

SYMBOLS	DIMENSION UNITS	SCALE
	mm	1:1
	GENERAL TOLERANCES (UNLESS SPECIFIED)	
	ANGULAR TOL ± 3.0°	
	4 PLACES	±
	3 PLACES	±
	2 PLACES	± 0.1
	1 PLACE	± 0.2
	0 PLACES	±
	DRAFT WHERE APPLICABLE MUST REMAIN WITHIN DIMENSIONS	

CURRENT REV DESC:		
EC NO:	173183	
DRWN:	DDEB	2018/02/23
CHK'D:	MVANSLAMBROU	2018/03/07
APPR:	MVANSLAMBROU	2018/03/07
INITIAL REVISION:		
DRWN:	KBORUSZEWSKI	2014/02/19
APPR:	VKOSHY	2014/03/05
THIRD ANGLE PROJECTION	DRAWING	SERIES
	A1-SIZE	160008

**MX150 GEN 2 RECEPTACLE
DUAL ROW SEALED ASSEMBLY MAT SEAL**

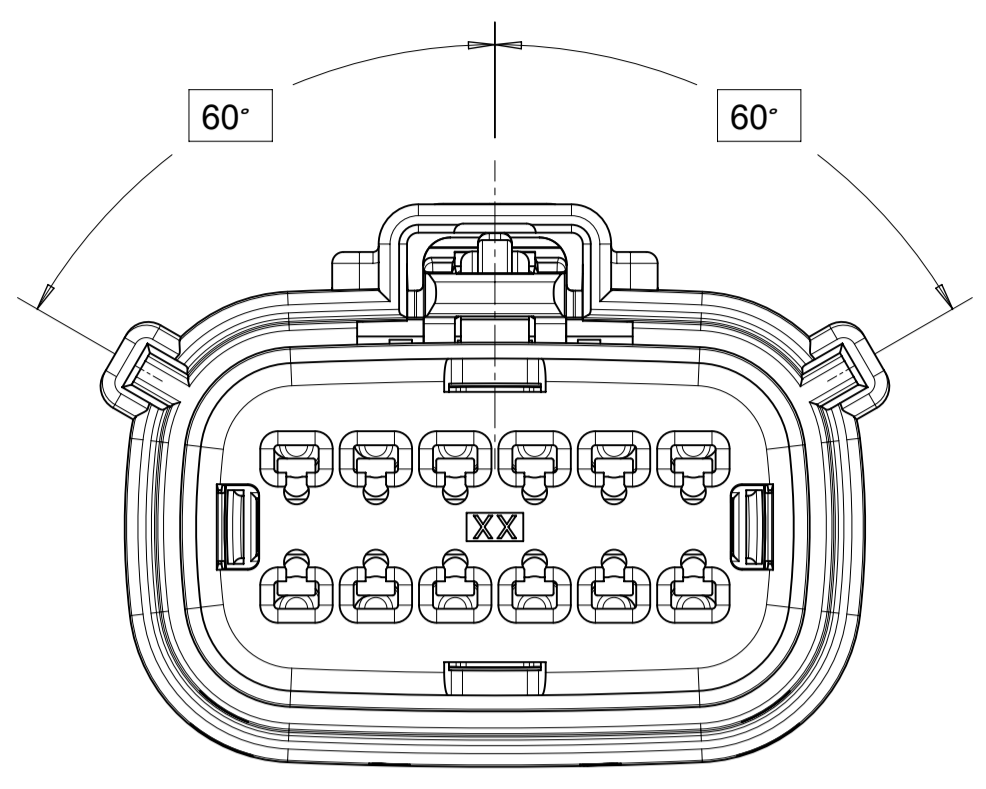
PRODUCT CUSTOMER DRAWING

DOCUMENT NUMBER	DOC TYPE	DOC PART	REVISION
SD-160008-0001	PSD	001	A6

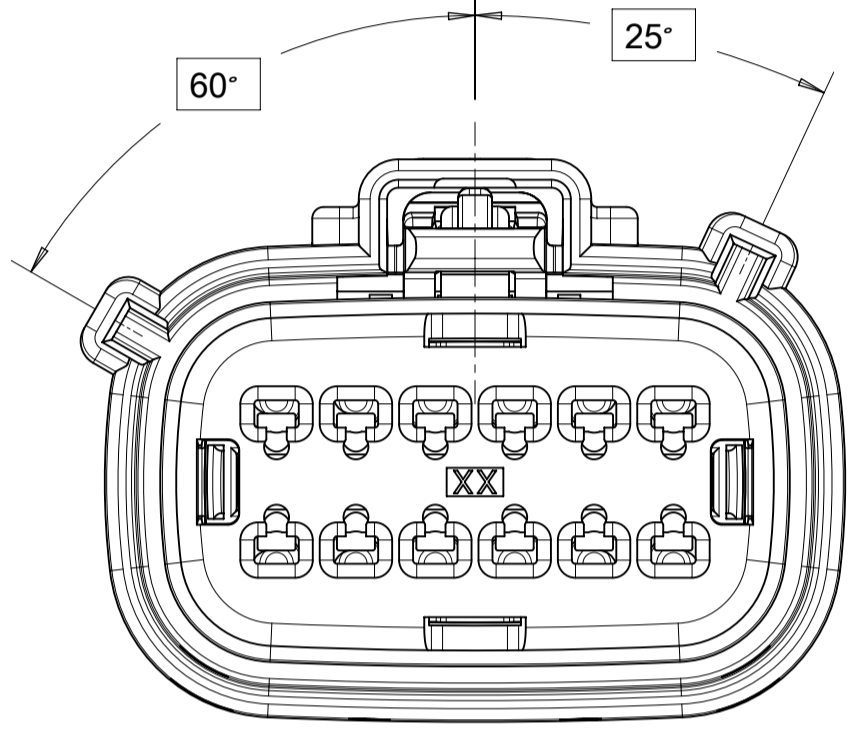
MATERIAL NUMBER	CUSTOMER	SHEET NUMBER
	GENERAL MARKET	3 OF 11

SHEET DESCRIPTION
KEY CONFIGURATIONS CONT.

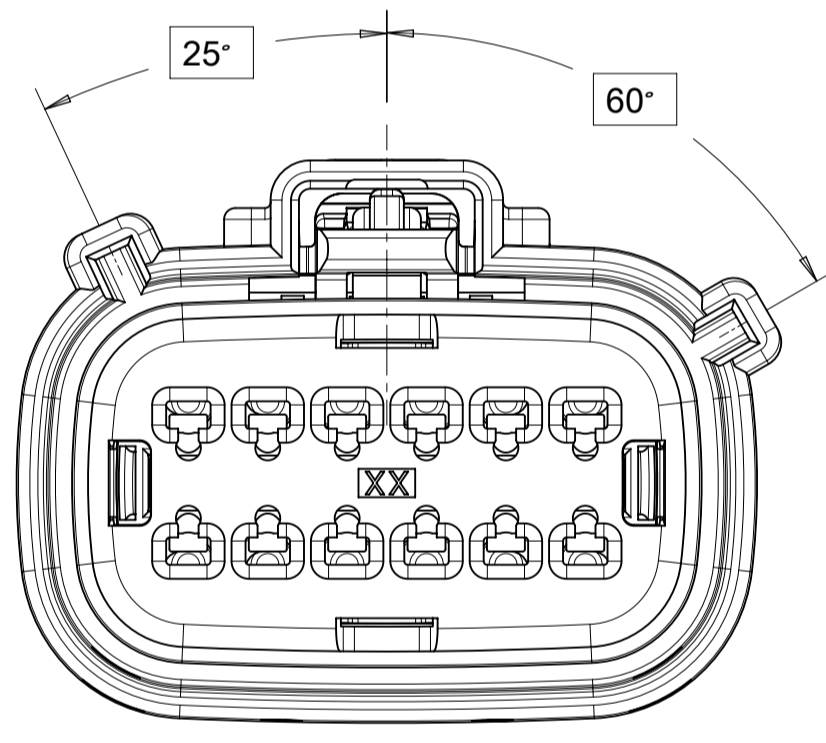
2X6



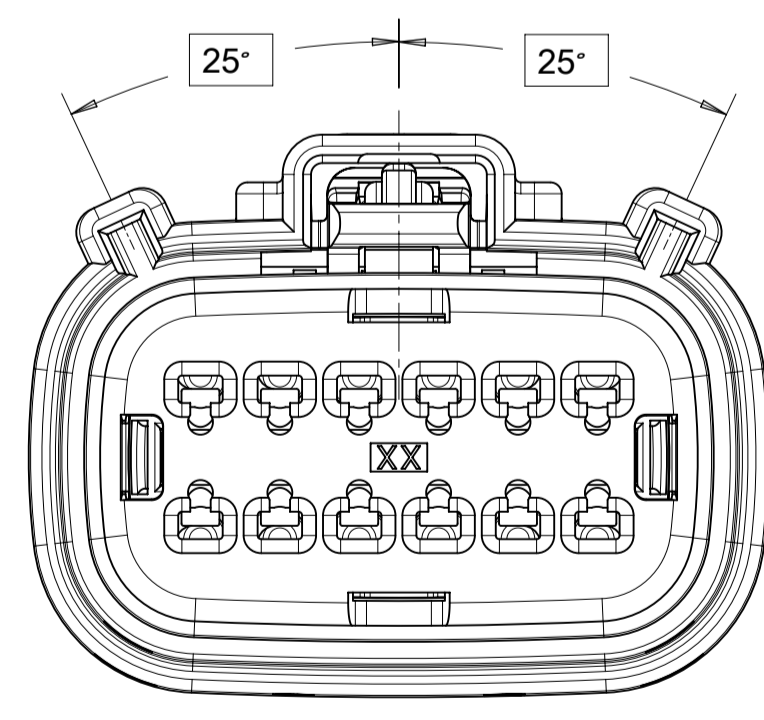
KEY A



KEY B

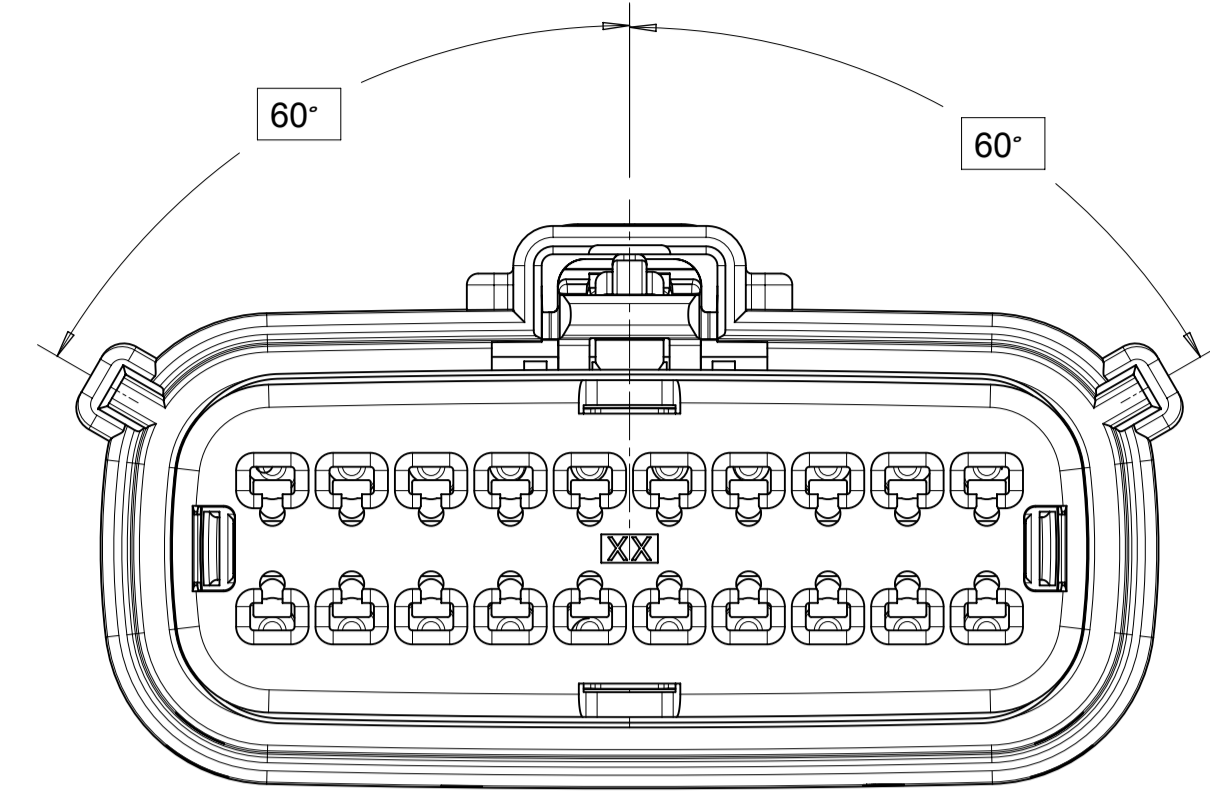


KEY C

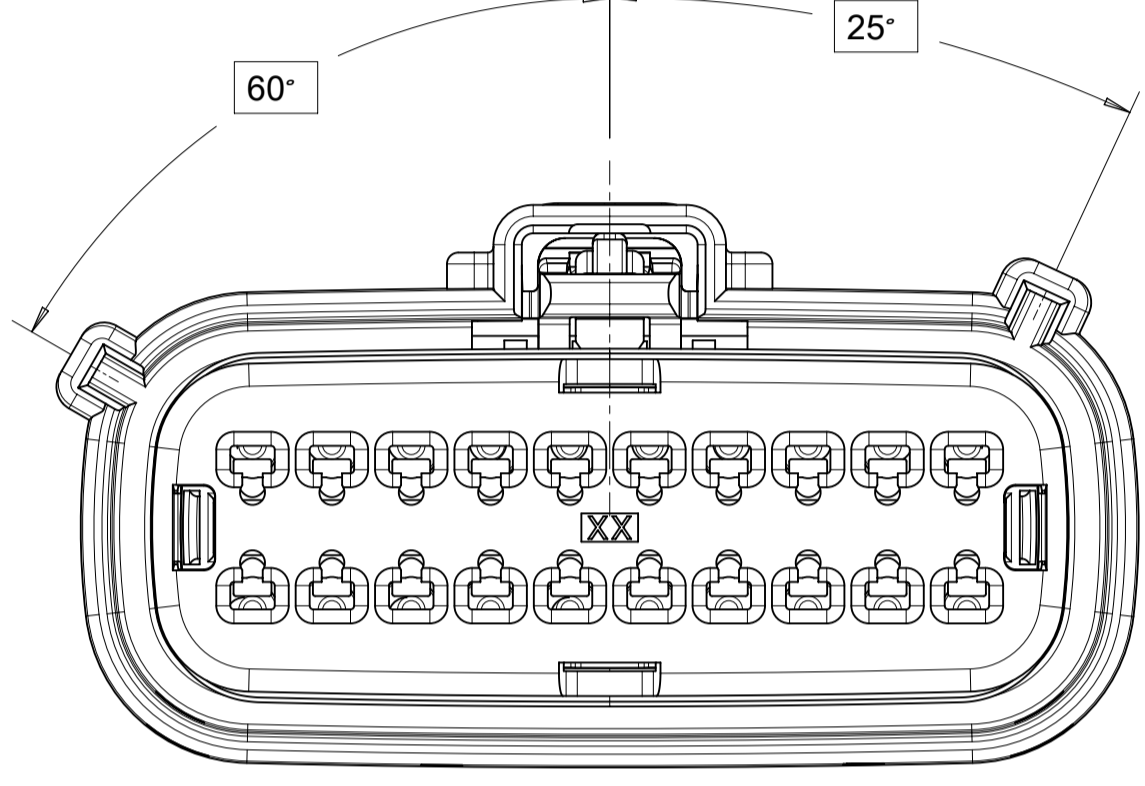


KEY D

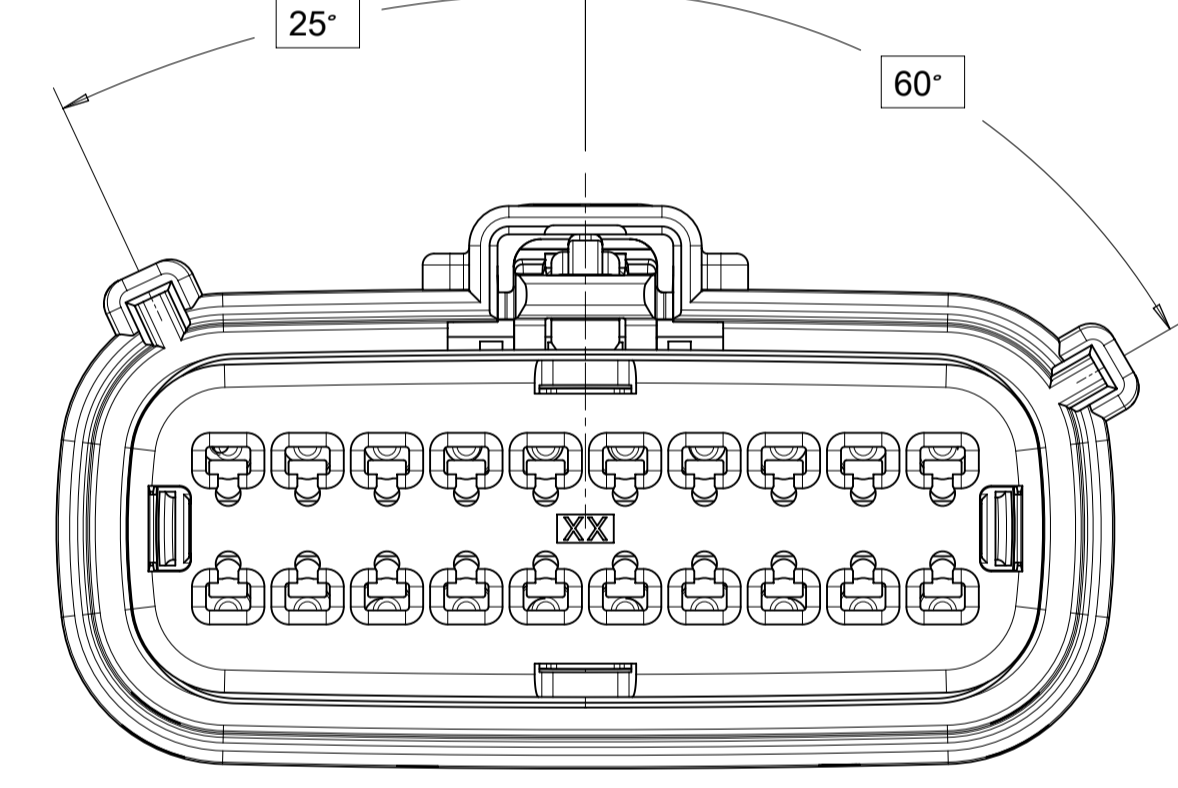
2X10



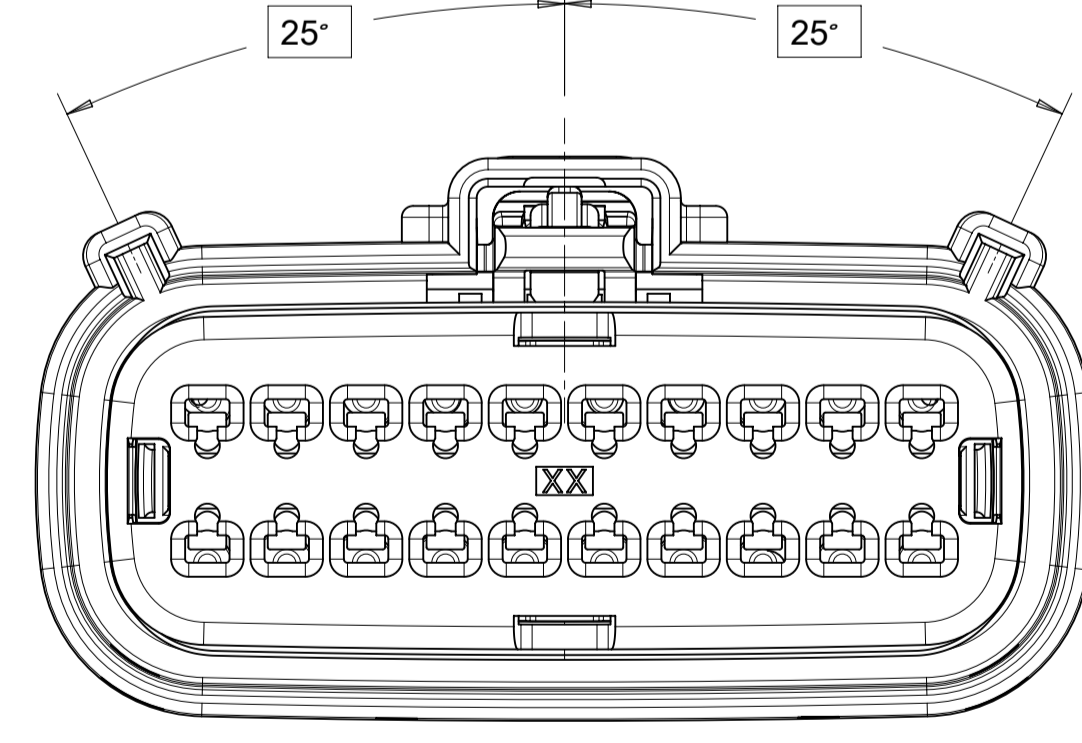
KEY A



KEY B



KEY C



KEY D

THIS DRAWING CONTAINS INFORMATION THAT IS PROPRIETARY TO MOLEX ELECTRONIC TECHNOLOGIES, LLC AND SHOULD NOT BE USED WITHOUT WRITTEN PERMISSION

SYMBOLS	DIMENSION UNITS	SCALE
	mm	1:1
	GENERAL TOLERANCES (UNLESS SPECIFIED)	
	ANGULAR TOL ± 3.0°	
	4 PLACES	±
	3 PLACES	±
	2 PLACES	± 0.1
	1 PLACE	± 0.2
	0 PLACES	±
	DRAFT WHERE APPLICABLE MUST REMAIN WITHIN DIMENSIONS	

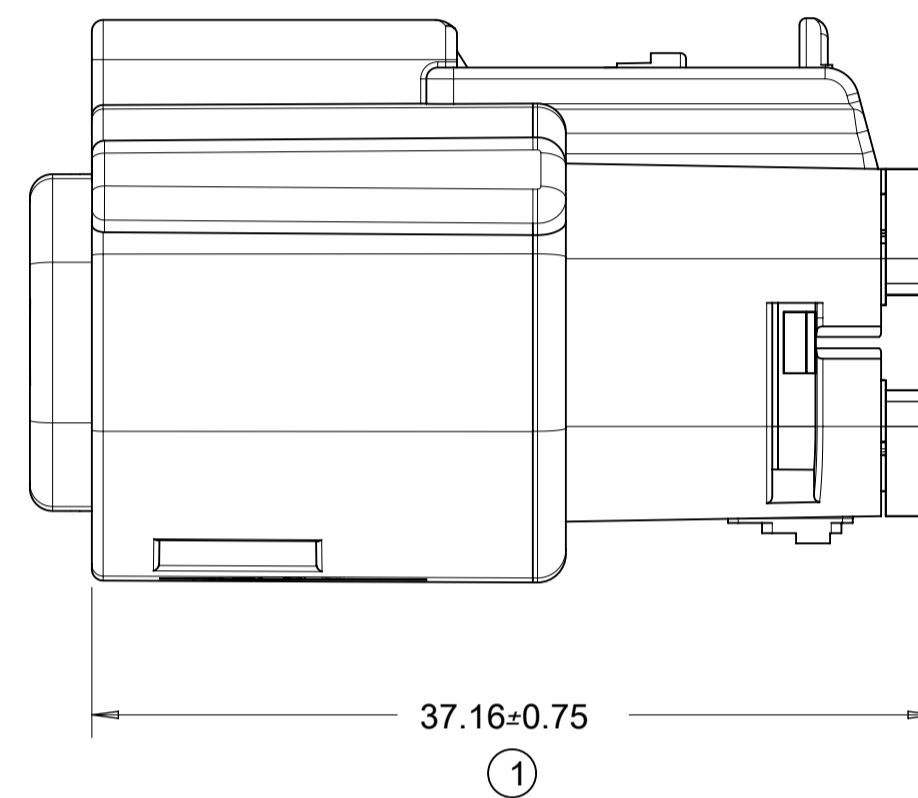
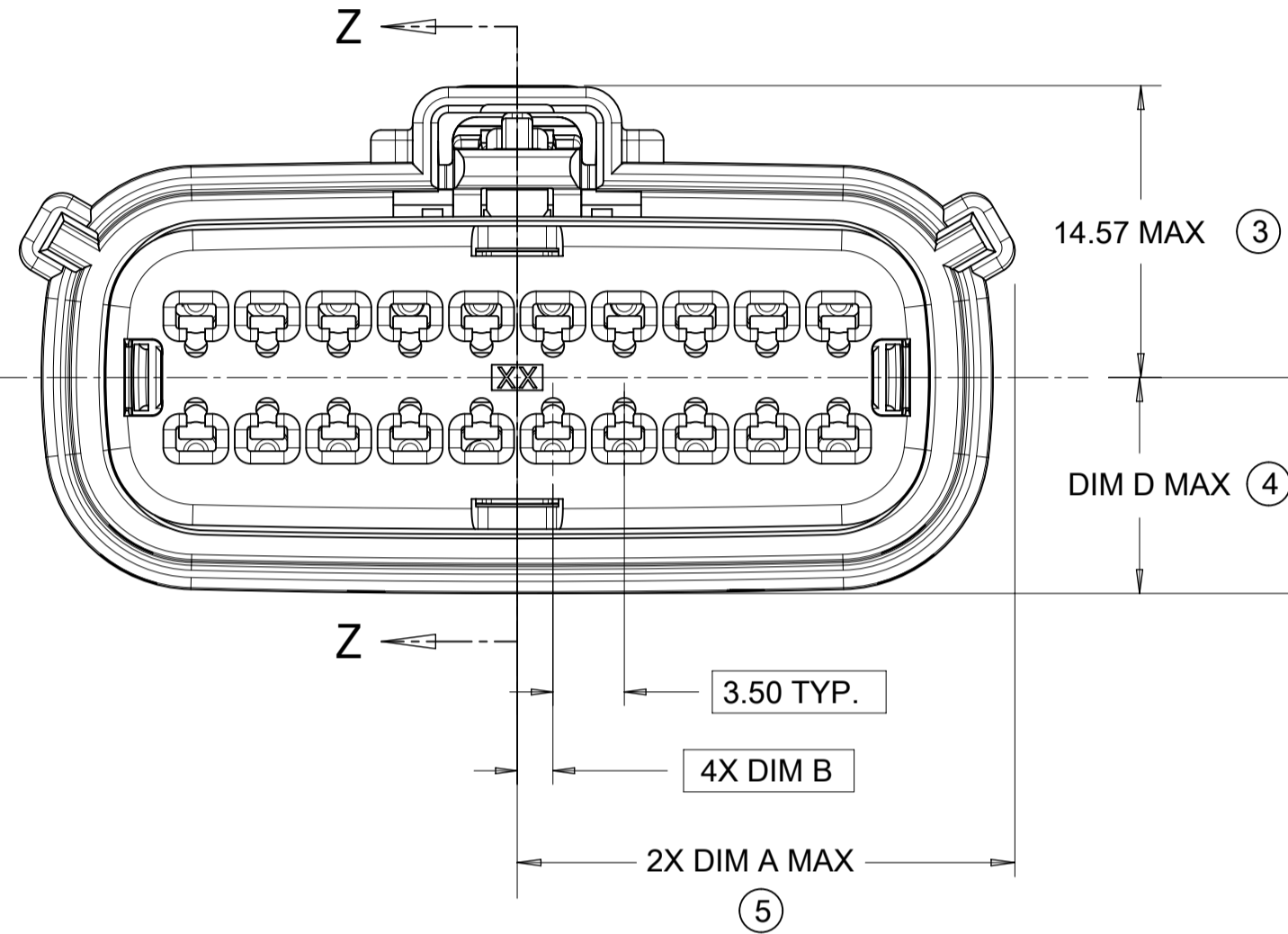
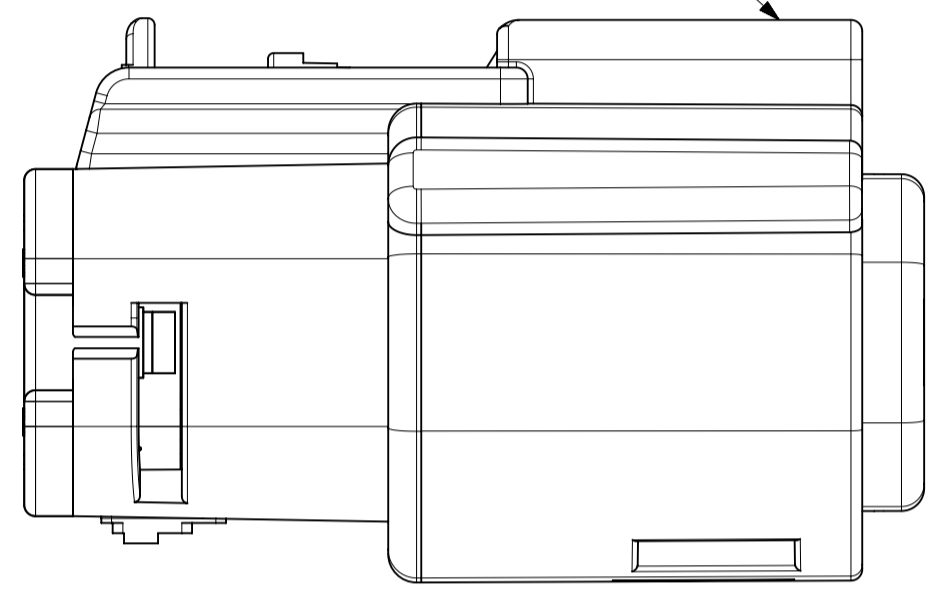
CURRENT REV DESC:		
EC NO:	173183	
DRWN:	DDEB	2018/02/23
CHK'D:	MVANSLAMBROU	2018/03/07
APPR:	MVANSLAMBROU	2018/03/07
INITIAL REVISION:		
DRWN:	KBORUSZEWSKI	2014/02/19
APPR:	VKOSHY	2014/03/05
THIRD ANGLE PROJECTION	DRAWING	SERIES
	A1-SIZE	160008

molex		
MX150 GEN 2 RECEPTACLE DUAL ROW SEALED ASSEMBLY MAT SEAL		
PRODUCT CUSTOMER DRAWING		
DOCUMENT NUMBER	DOC TYPE	DOC PART
SD-160008-0001	PSD	001
MATERIAL NUMBER	CUSTOMER	SHEET NUMBER
	GENERAL MARKET	4 OF 11

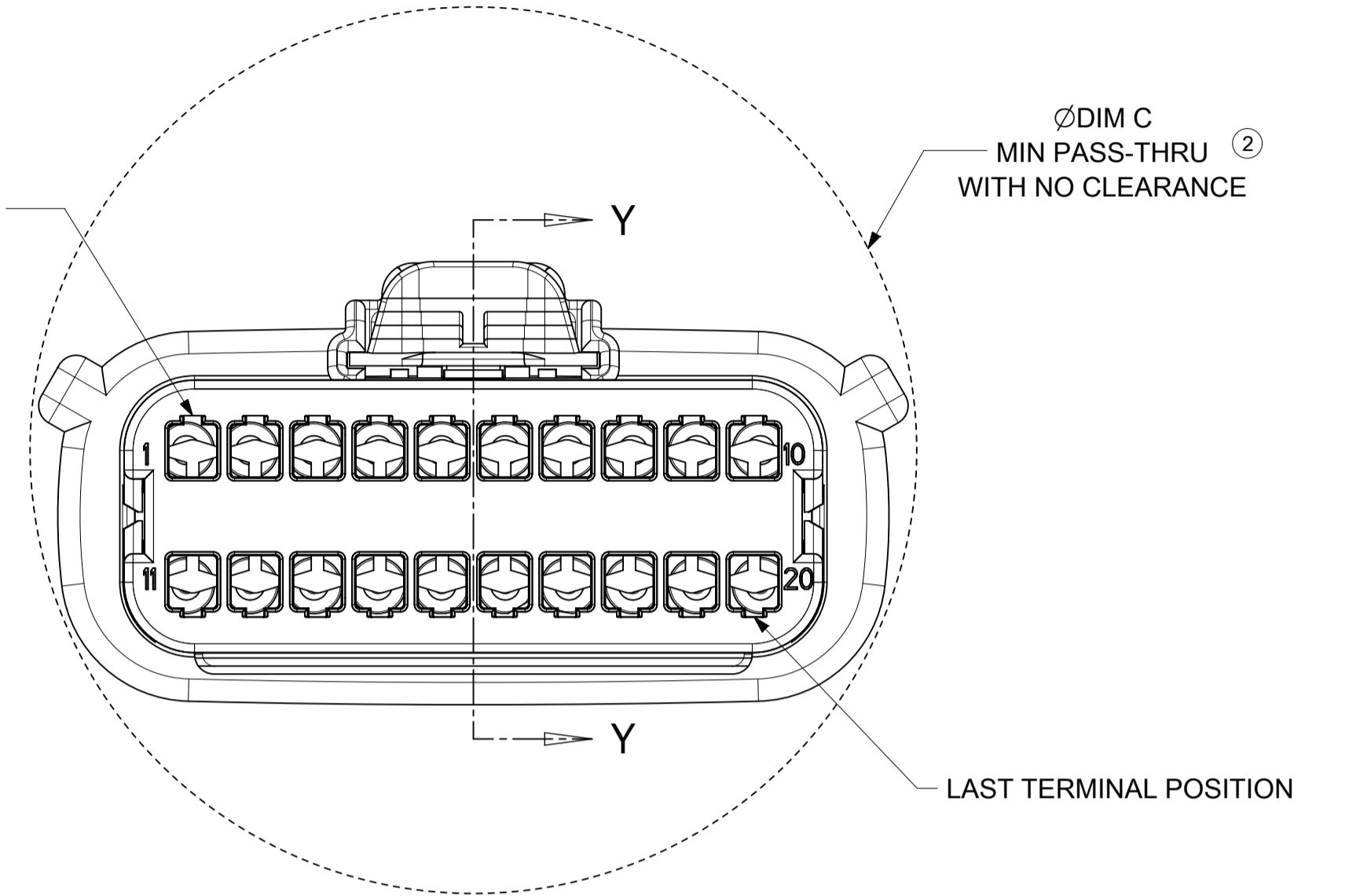
SHEET DESCRIPTION
RECEPTACLE CONNECTOR ASSEMBLY

DESCRIPTION	DIMENSIONS			
	A	B	C	D
2X2 STANDARD	TBD	TBD	TBD	TBD
2X2 W/ CLIPSLOT	TBD	TBD	TBD	TBD
2X3 STANDARD	TBD	TBD	TBD	TBD
2X3 W/ CLIPSLOT	TBD	TBD	TBD	TBD
2X4 STANDARD	14.24	1.75	29.9	10.92
2X4 W/ CLIPSLOT	14.24	1.75	31.1	13.81
2X6 STANDARD	TBD	TBD	36.3	TBD
2X6 W/ CLIPSLOT	TBD	TBD	36.3	TBD
2X8 STANDARD	TBD	TBD	TBD	TBD
2X8 W/ CLIPSLOT	TBD	TBD	TBD	TBD
2X10 STANDARD	24.75	1.75	49.8	10.92
2X10 W/ CLIPSLOT	24.75	1.75	49.8	13.81

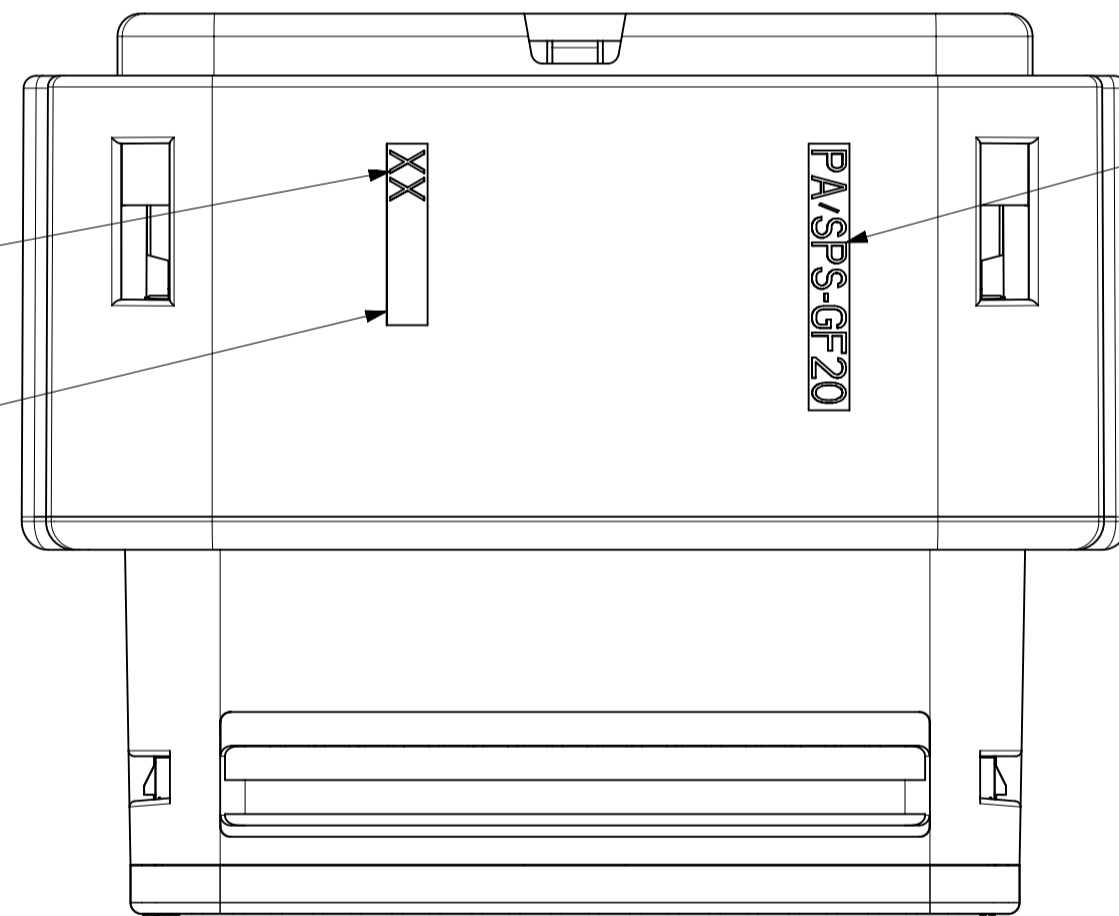
LASER MARKING ON THIS SURFACE
SEE NOTE 3g.



TERMINAL POSITION 1

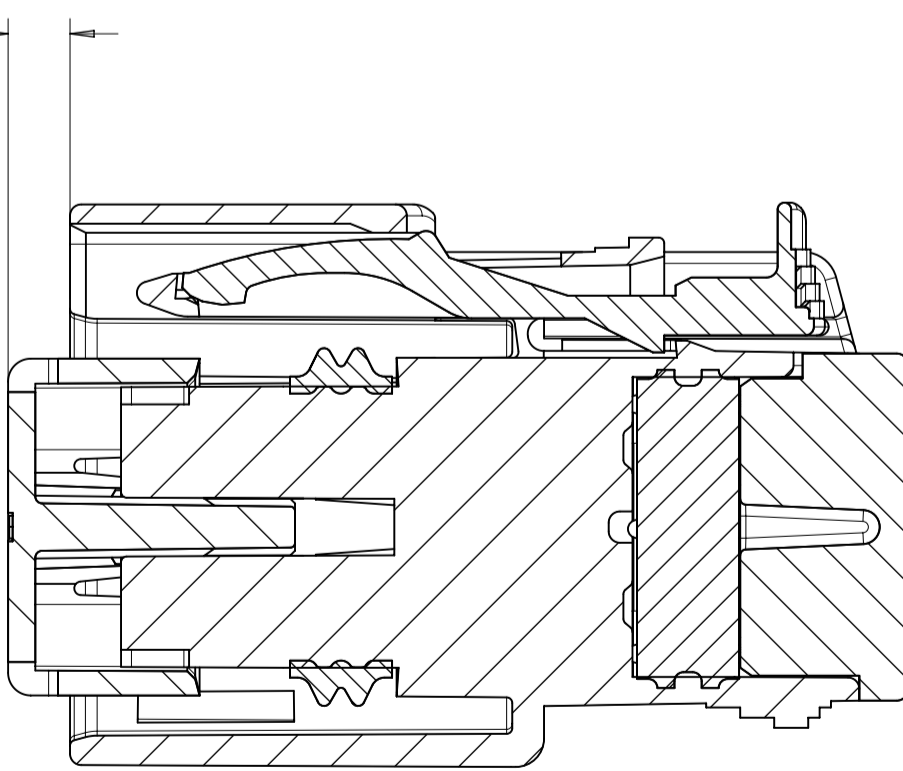


MOLD CAVITY I.D. THIS LOCATION
MANUFACTURING LOCATION CODE THIS LOCATION

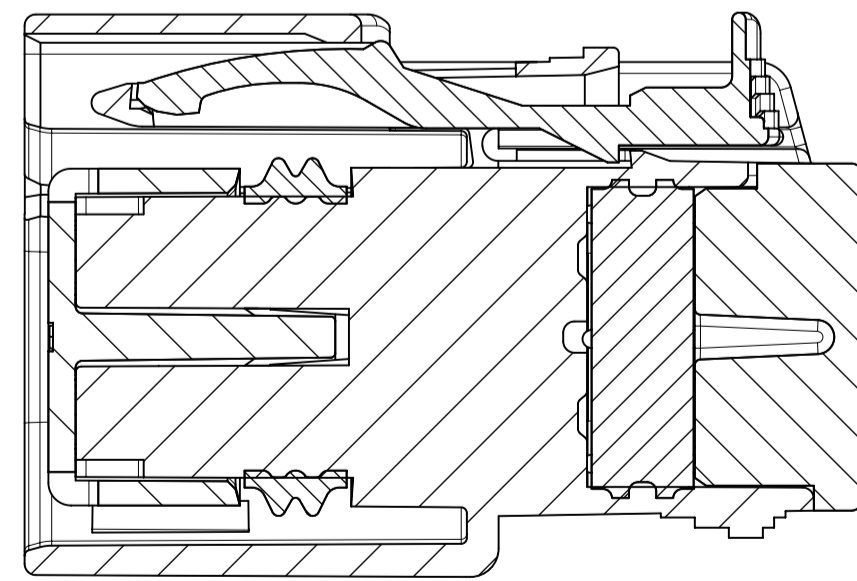


RECYCLE CODE THIS LOCATION

2.73±0.50 (6)



PRIMARY LOCK REINFORCEMENT (PLR) SHOWN
IN PRE-STAGED POSITION
SECTION Z-Z



PRIMARY LOCK REINFORCEMENT (PLR) SHOWN
IN FINAL-LOCK POSITION
SECTION Y-Y

SYMBOLS		THIS DRAWING CONTAINS INFORMATION THAT IS PROPRIETARY TO MOLEX ELECTRONIC TECHNOLOGIES, LLC AND SHOULD NOT BE USED WITHOUT WRITTEN PERMISSION		CURRENT REV DESC:		molex	
▽ = 0	DIMENSION UNITS	mm	SCALE	1:1		MX150 GEN 2 RECEPTACLE DUAL ROW SEALED ASSEMBLY MAT SEAL	
▽ = 0	GENERAL TOLERANCES (UNLESS SPECIFIED)					PRODUCT CUSTOMER DRAWING	
▽ = 0	ANGULAR TOL	± 3.0°	EC NO: 173183		DOCUMENT NUMBER		DOC TYPE DOC PART REVISION
▽ = 0	4 PLACES	±	DRWN: DDEB 2018/02/23		SD-160008-0001		PSD 001 A6
▽ = 0	3 PLACES	±	CHK'D: MVANSLAMBROU 2018/03/07		MATERIAL NUMBER		CUSTOMER
▽ = 0	2 PLACES	± 0.1	APPR: MVANSLAMBROU 2018/03/07		SERIES		SHEET NUMBER
▽ = 0	1 PLACE	± 0.2	INITIAL REVISION:		GENERAL MARKET		5 OF 11
▽ = 0	0 PLACES	±	DRWN: KBORUSZEWSKI 2014/02/19				
▽ = 0	0 PLACES	±	APPR: VKOSHY 2014/03/05				
▽ = 0	DRAFT WHERE APPLICABLE MUST REMAIN WITHIN DIMENSIONS	THIRD ANGLE PROJECTION		DRAWING		SHEET NUMBER	
▽ = 0		A1-SIZE		160008			

DOCUMENT STATUS	P1	RELEASE DATE	2018/03/07	14:06:48
-----------------	----	--------------	------------	----------

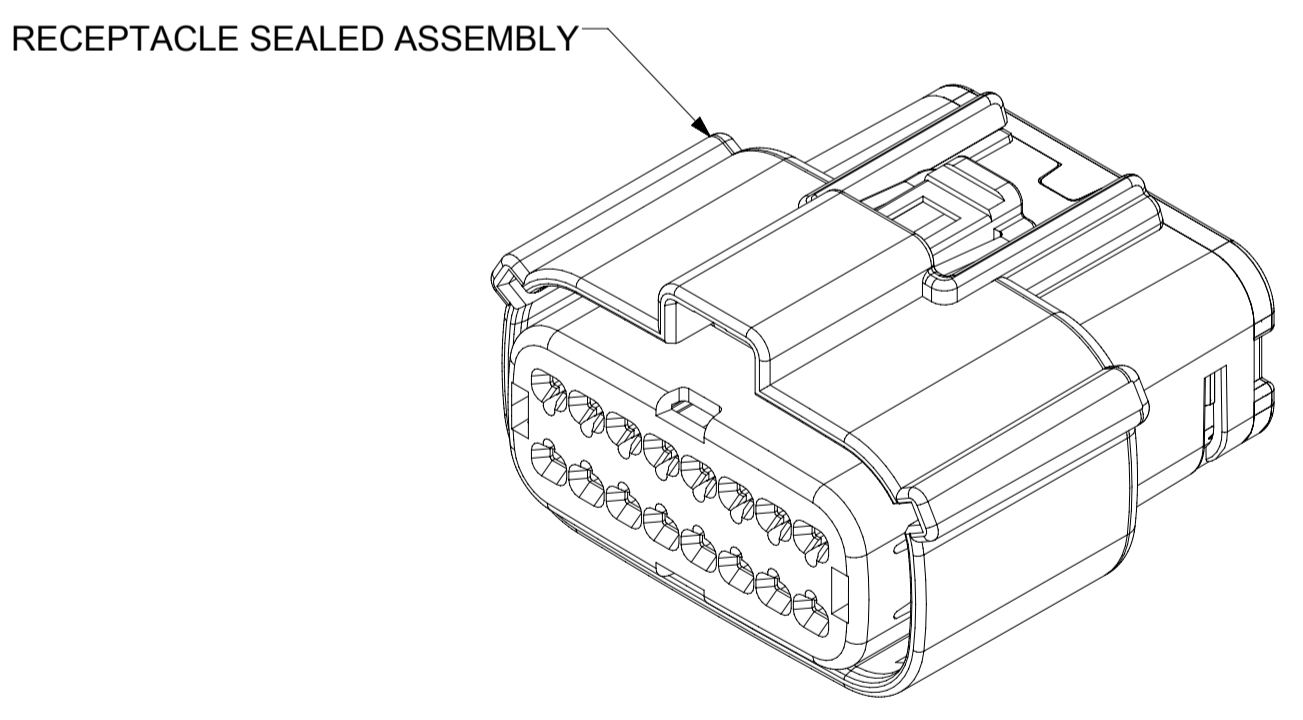
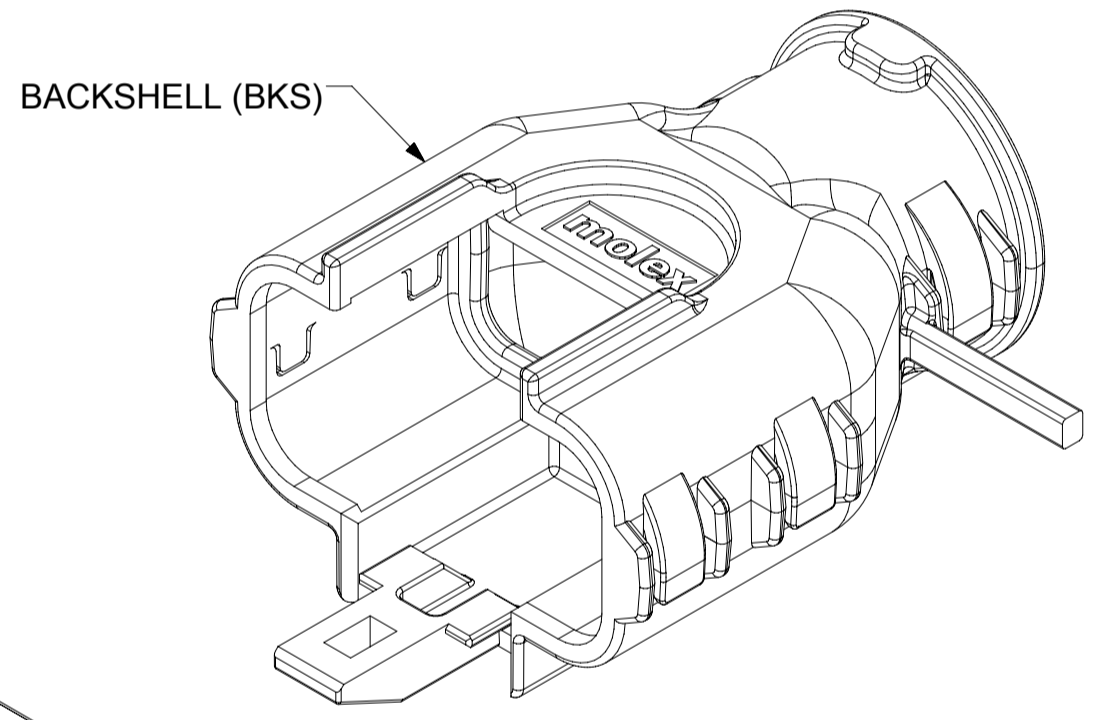
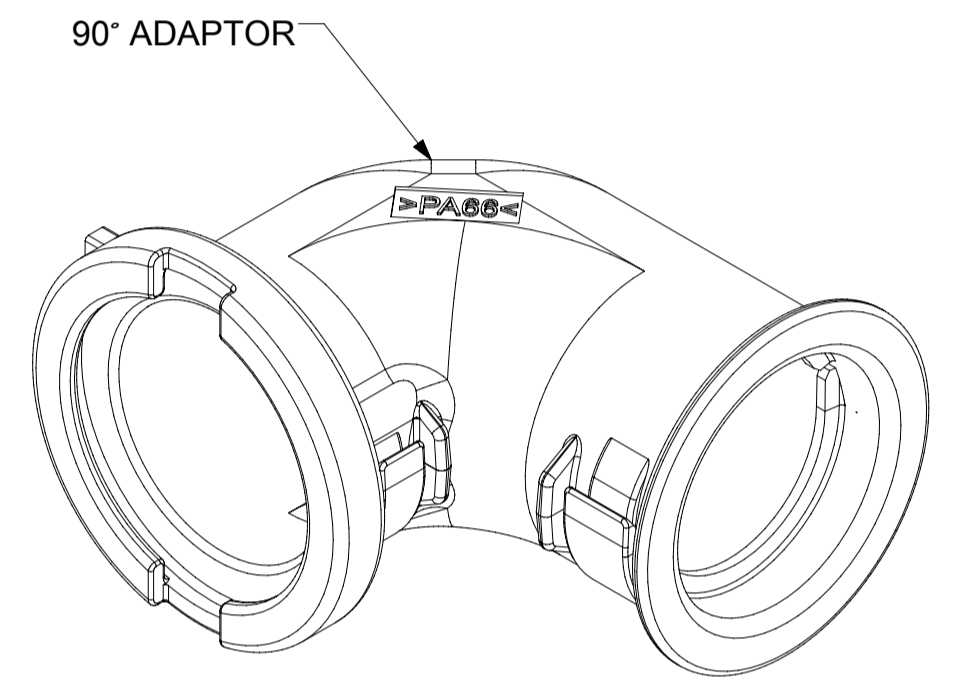
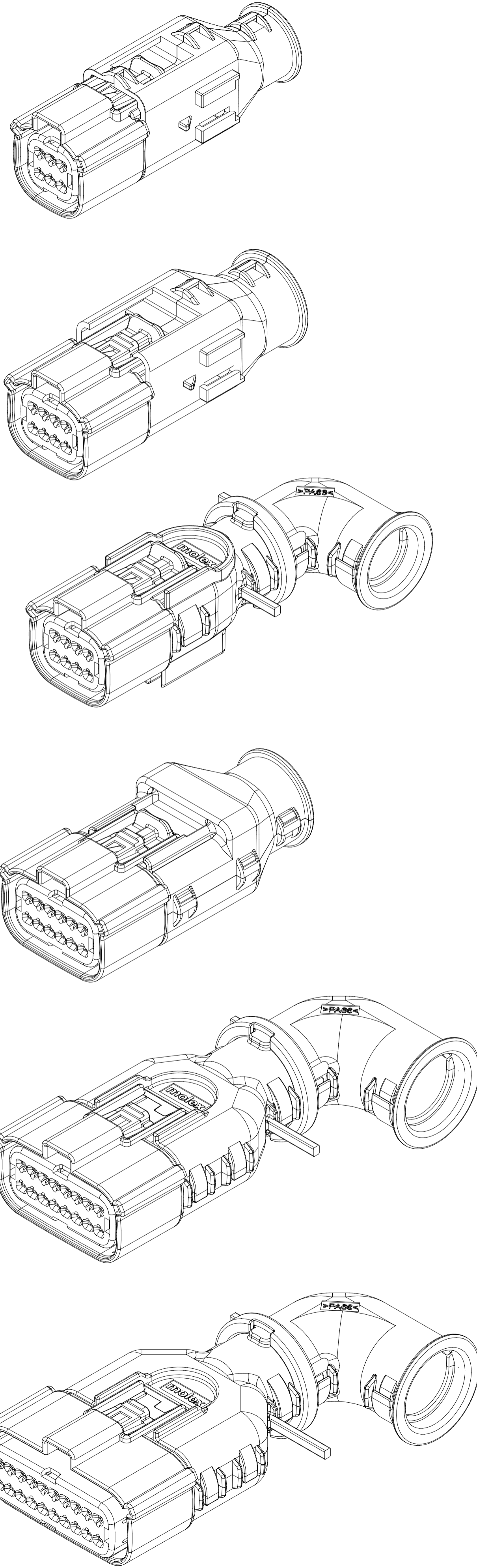
SHEET DESCRIPTION
BACKSHELL NOTES

BACKSHELL NOTES: VALID UNLESS OTHERWISE SPECIFIED

1. GENERAL:
a. APPLICATION SPECIFICATION SEE: AS-34951-001
-DESIGNED TO MATE WITH RECEPTACLE SEALED ASSEMBLY
-SPECIFIED IN MOLEX DRAWING SD-33472-0001
-SYSTEM TO BE USED WITH WIRE WITHIN DIAMETER RANGE OF 1.2mm TO 2.69mm
-COMPONENTS ARE OPTIONAL AND MUST BE PURCHASED SEPERATELY
-DESIGN IS OWNED BY SCHLEMMER FOR SCHLEMMER BACKSHELL.
-DESIGN IS OWNED BY MOLEX FOR MOLEX BACKSHELL.
-90° ADAPTOR DESIGN IS OWNED BY MOLEX.
-FOR ADDITIONAL INFORMATION SEE THE BACKSHELL COMPONENT DRAWING SD-34951-0001

BACKSHELL CUSTOMER MODEL NUMBER LEGEND

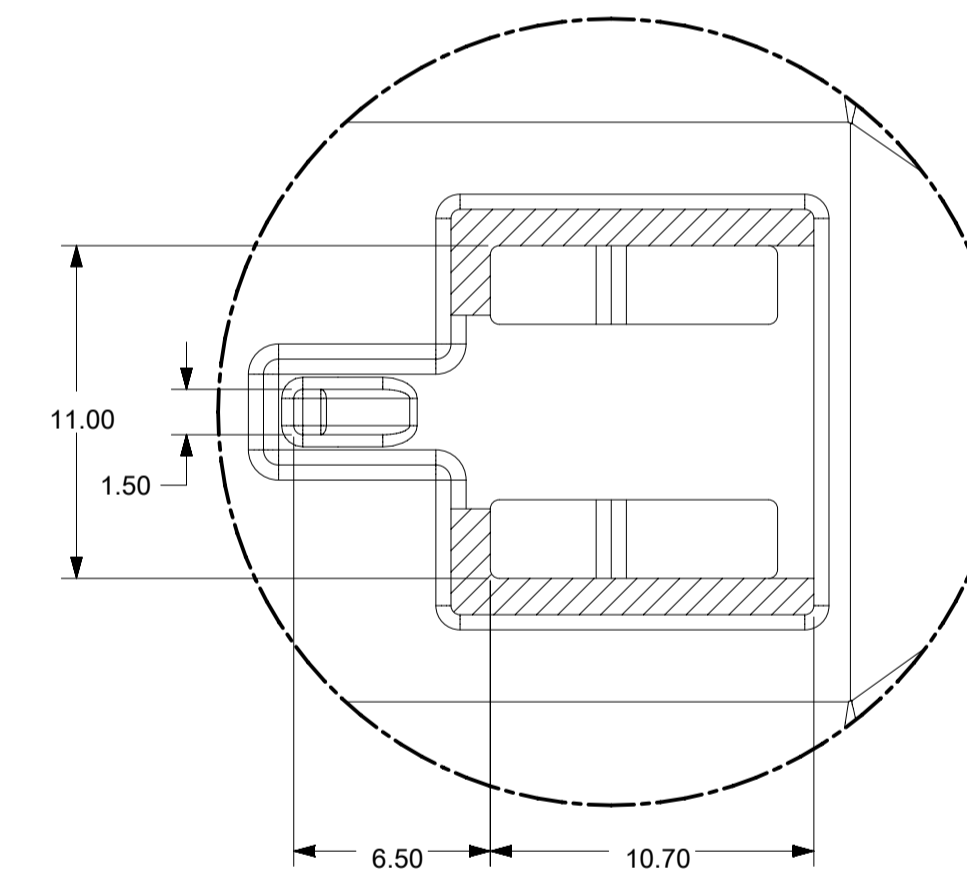
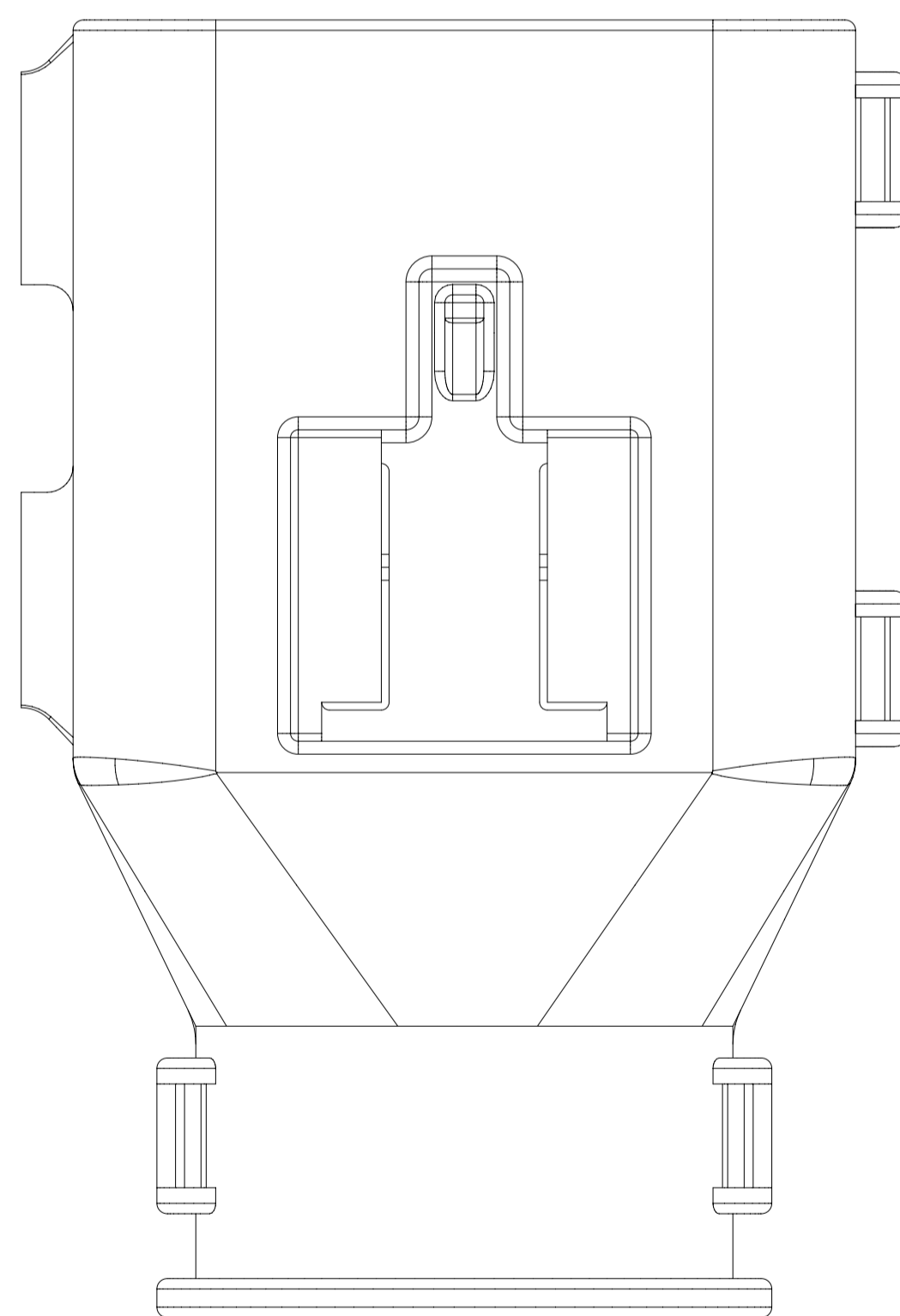
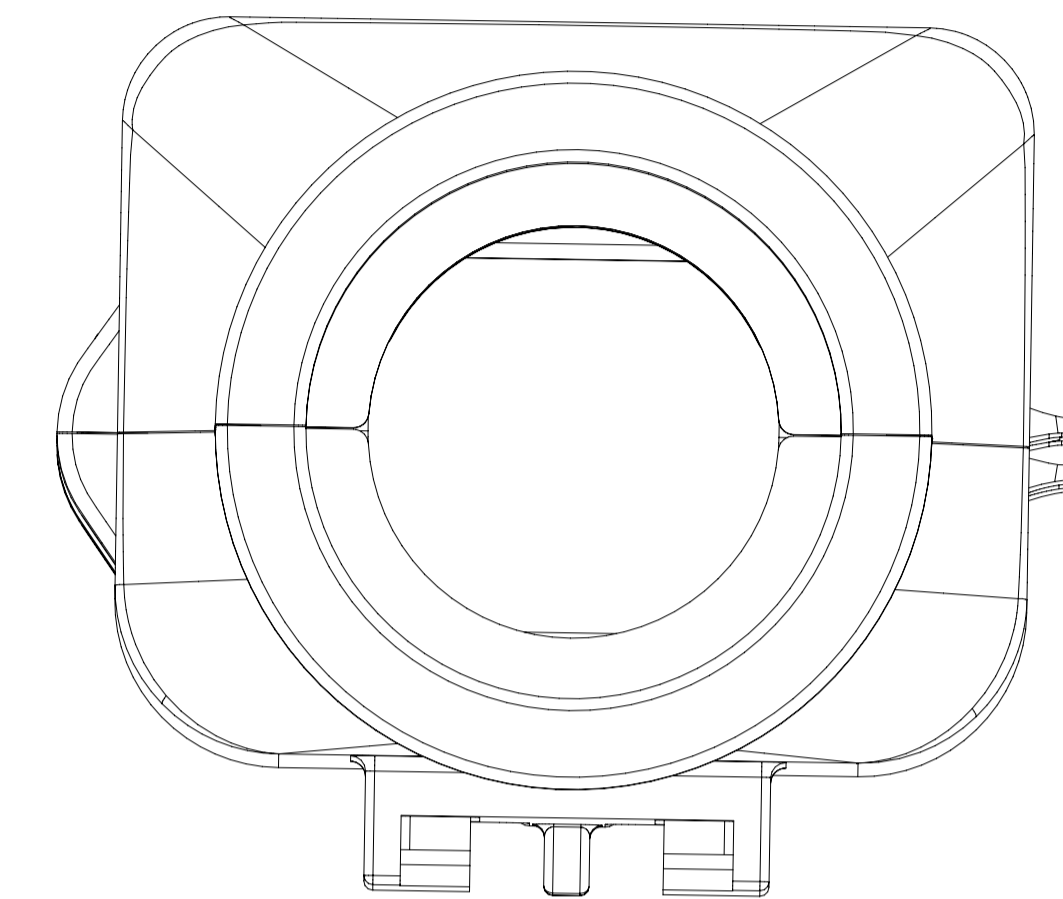
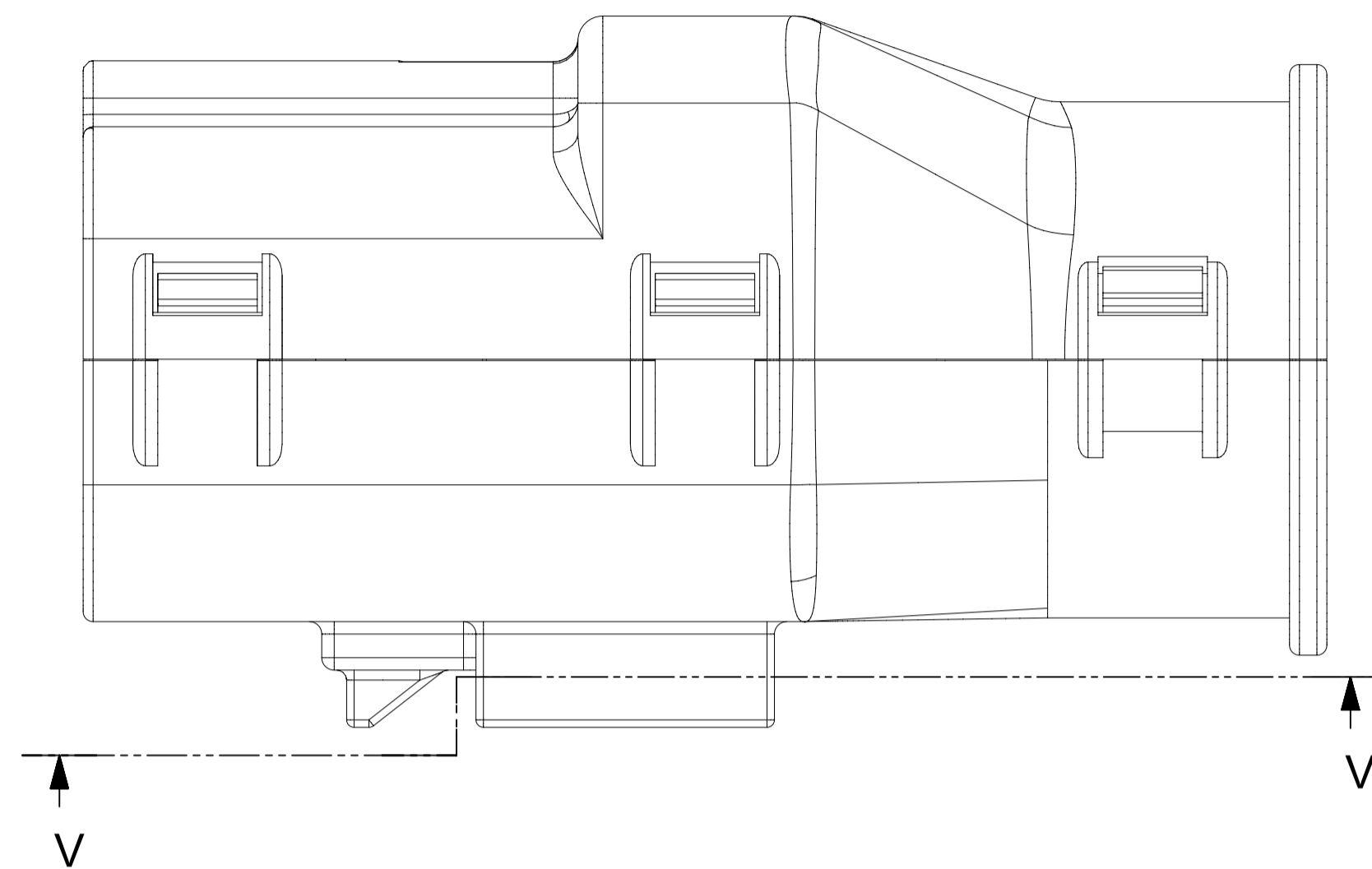
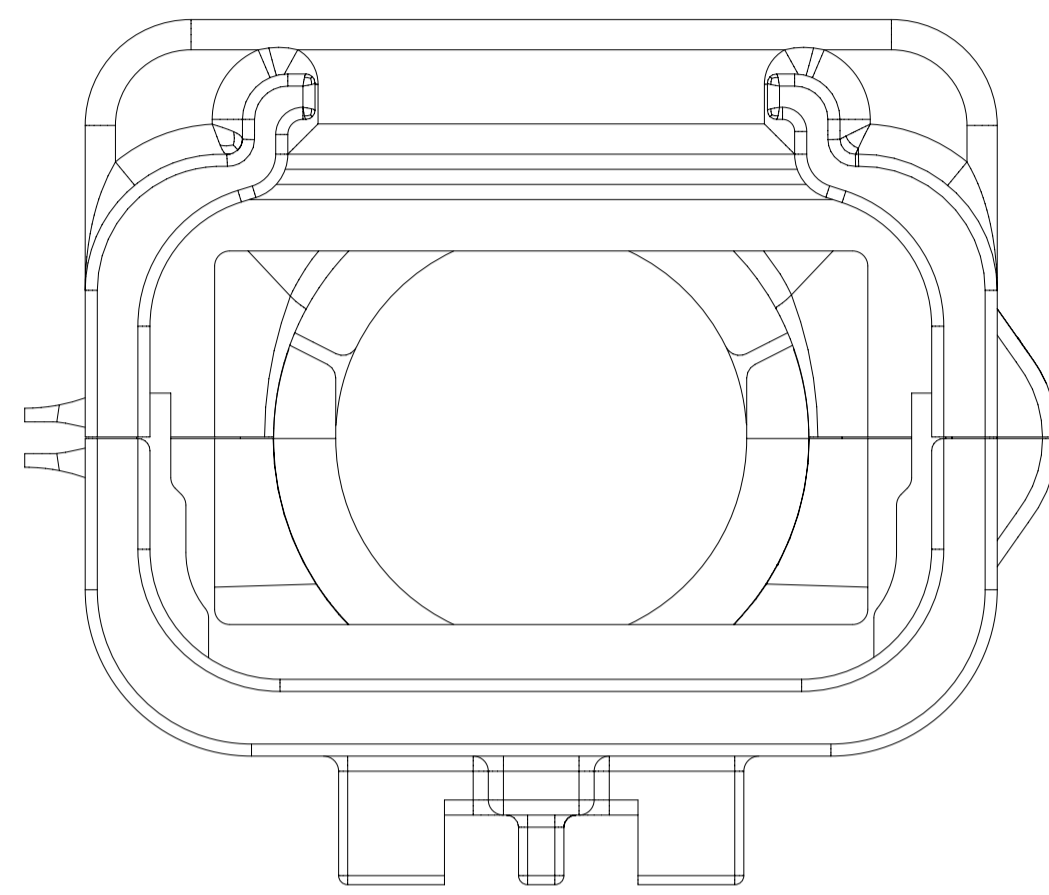
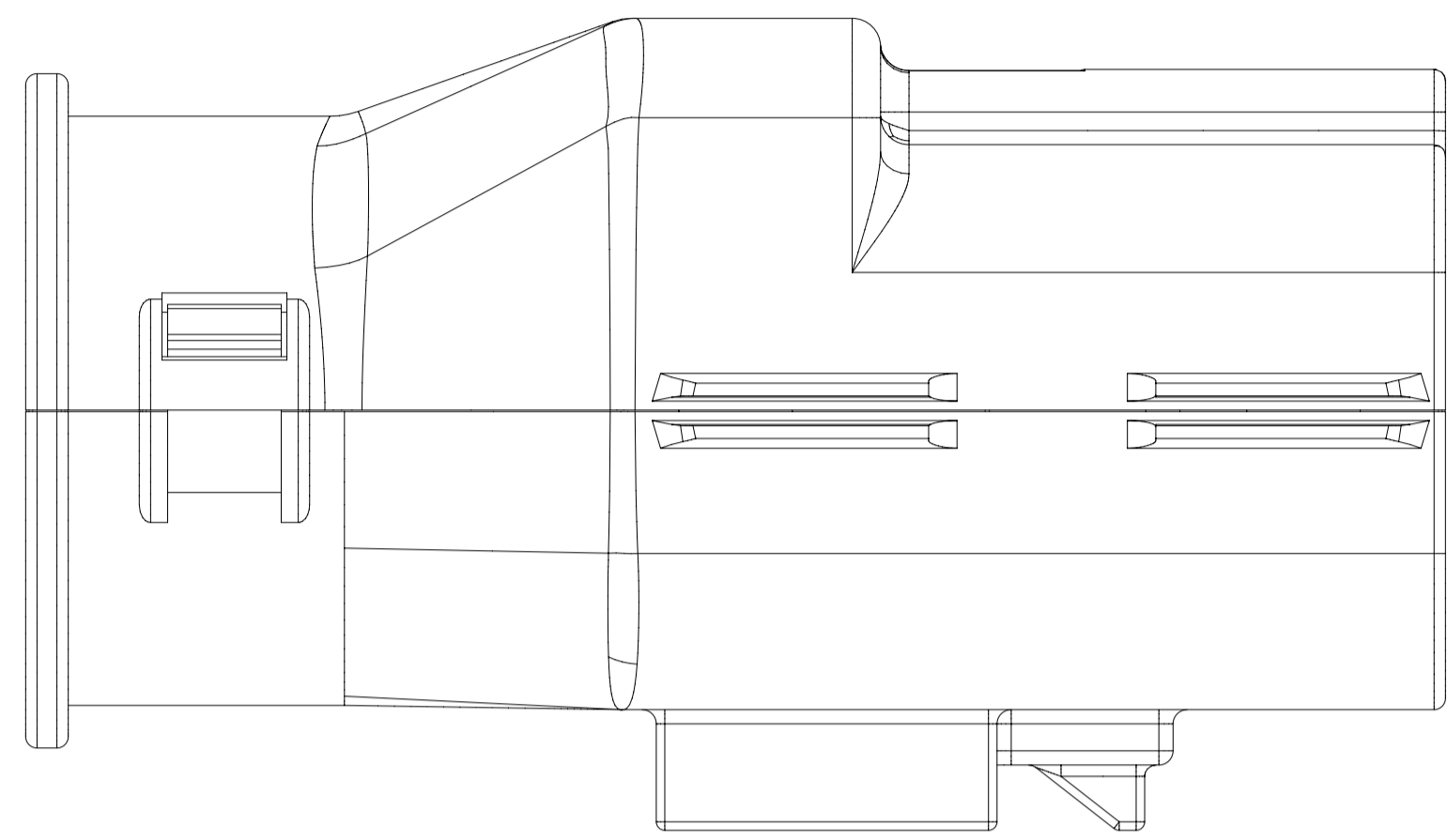
- 34951-XXXX
- CUSTOMER MODEL COMPONENTS
 - 0 - SCHLEMMER BACKSHELL ONLY
 - 1 - SCHLEMMER BACKSHELL & MX150 HOUSING KEY A ASSEMBLY
 - 2 - SCHLEMMER BACKSHELL & MX150 HOUSING KEY B ASSEMBLY
 - 3 - SCHLEMMER BACKSHELL & MX150 HOUSING KEY C ASSEMBLY
 - 4 - SCHLEMMER BACKSHELL & MX150 HOUSING KEY D ASSEMBLY
 - 5 - MOLEX BACKSHELL ONLY
 - 6 - MOLEX BACKSHELL & MX150 HOUSING KEY A ASSEMBLY
 - 7 - MOLEX BACKSHELL & MX150 HOUSING KEY B ASSEMBLY
 - 8 - MOLEX BACKSHELL & MX150 HOUSING KEY C ASSEMBLY
 - 9 - MOLEX BACKSHELL & MX150 HOUSING KEY D ASSEMBLY
 - BACKSHELL FEATURES
 - 1 - WITH RIBS
 - 2 - WITHOUT RIBS
 - 3 - 90° ADAPTOR
 - MX150 CIRCUIT SIZE 04, 06, 08, 12, 16, 20



SCALE 2:1

SYMBOLS	THIS DRAWING CONTAINS INFORMATION THAT IS PROPRIETARY TO MOLEX ELECTRONIC TECHNOLOGIES, LLC AND SHOULD NOT BE USED WITHOUT WRITTEN PERMISSION		CURRENT REV DESC:						
	DIMENSION UNITS	SCALE							EC NO: 173183
▽ = 0	mm	1:1	DRWN: DDEB	2018/03/07		PRODUCT CUSTOMER DRAWING			
▽ = 0	GENERAL TOLERANCES (UNLESS SPECIFIED)		CHK'D: MVANSLAMBROU	2018/03/07		DOCUMENT NUMBER			
▽ = 0	ANGULAR TOL ± 3.0°		APPR: MVANSLAMBROU	2018/03/07		SD-160008-0001	PSD	001	A6
▽ = 0	4 PLACES	±	INITIAL REVISION:			DOC TYPE DOC PART REVISION			
▽ = 0	3 PLACES	±	DRWN: KBORUSZEWSKI	2014/02/19		MATERIAL NUMBER			
▽ = 0	2 PLACES	± 0.1	APPR: VKOSHY	2014/03/05		CUSTOMER			
▽ = 0	1 PLACE	± 0.2	THIRD ANGLE PROJECTION			SHEET NUMBER			
▽ = 0	0 PLACES	±	DRAWING			GENERAL MARKET			
▽ = 0	DRAFT WHERE APPLICABLE MUST REMAIN WITHIN DIMENSIONS		SERIES			6 OF 11			
▽ = 0			A1-SIZE						
		160008							

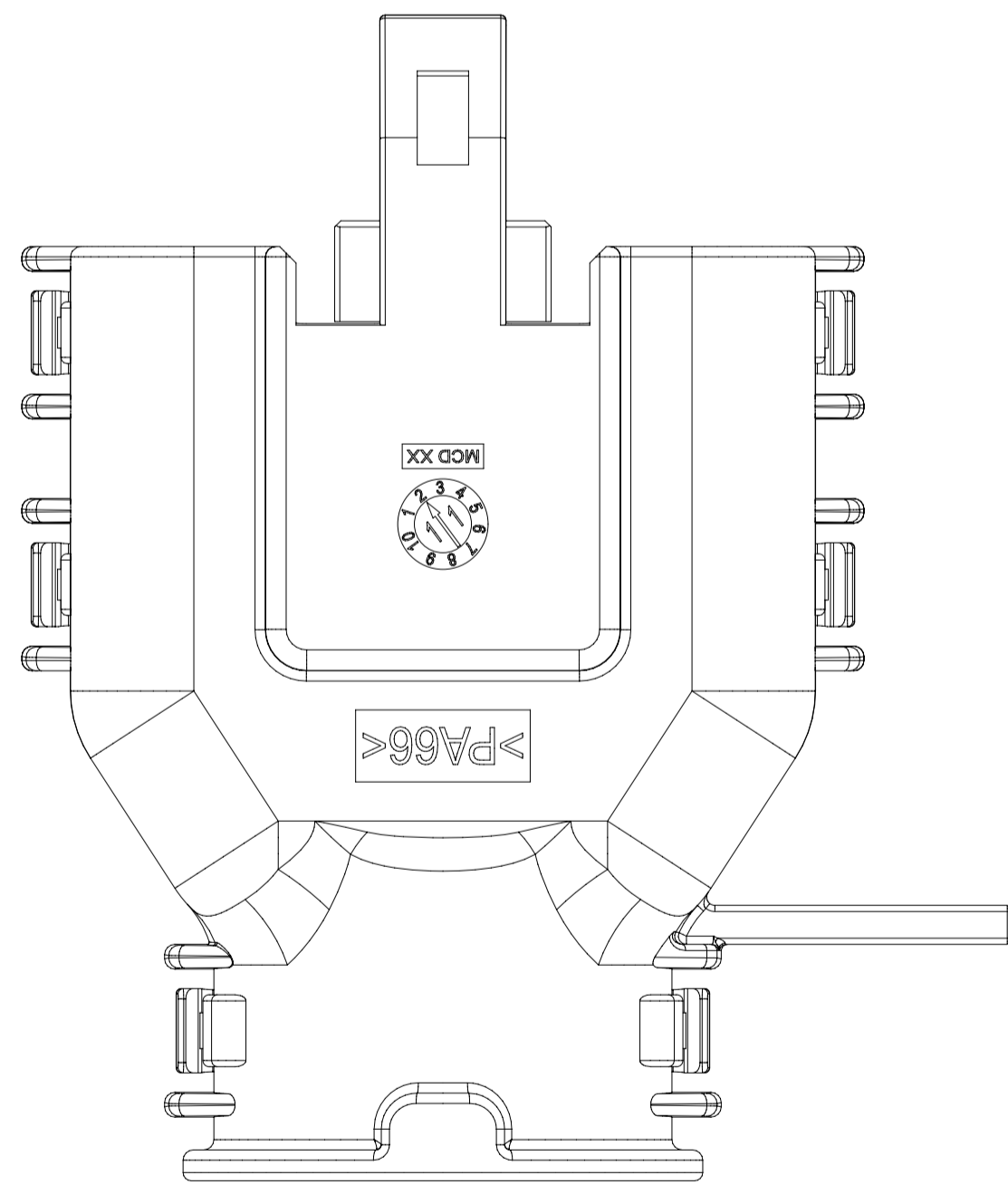
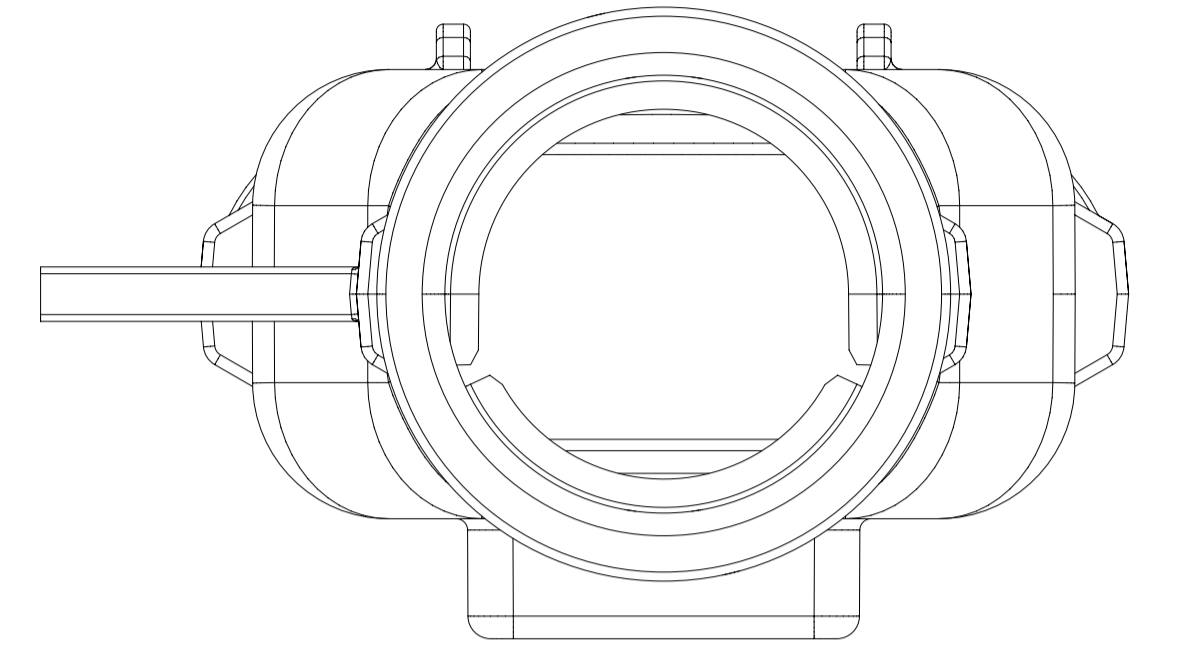
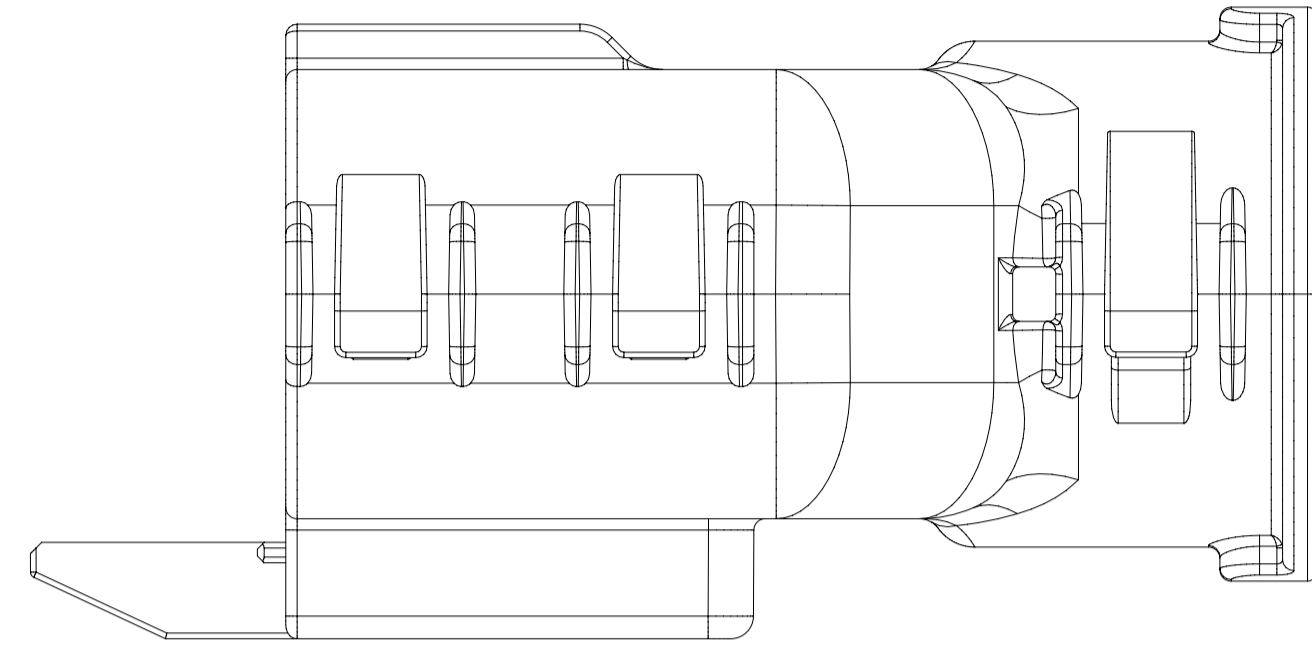
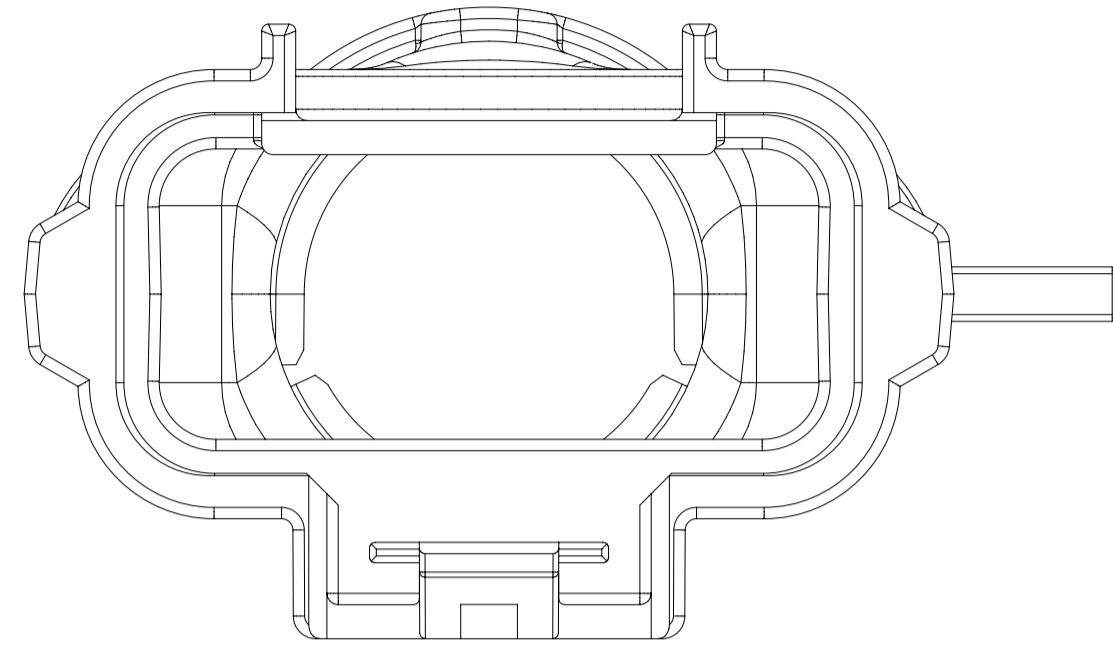
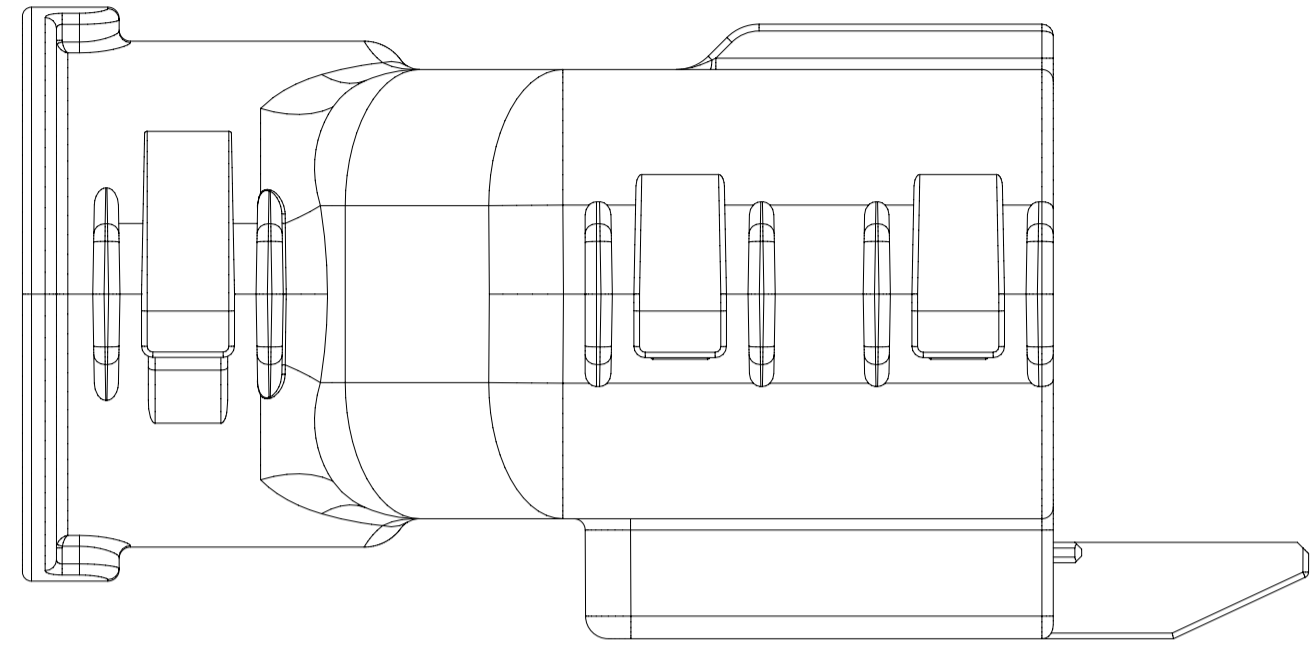
SHEET DESCRIPTION
SCHLEMMER BACKSHELL



Partial V-V
SCALE 4:1

SYMBOLS = 0 = 0 = 0 = 0 = 0 = 0 = 0 = 0 = 0 = 0	THIS DRAWING CONTAINS INFORMATION THAT IS PROPRIETARY TO MOLEX ELECTRONIC TECHNOLOGIES, LLC AND SHOULD NOT BE USED WITHOUT WRITTEN PERMISSION		CURRENT REV DESC: EC NO: 173183 DRWN: DDEB 2018/02/23 CHK'D: MVANSLAMBROU 2018/03/07 APPR: MVANSLAMBROU 2018/03/07			 MX150 GEN 2 RECEPTACLE DUAL ROW SEALED ASSEMBLY MAT SEAL			
	DIMENSION UNITS: mm SCALE: 1:1								GENERAL TOLERANCES (UNLESS SPECIFIED) ANGULAR TOL ± 3.0°
	4 PLACES ± 3 PLACES ± 2 PLACES ± 0.1 1 PLACE ± 0.2 0 PLACES ±		INITIAL REVISION: DRWN: KBORUSZEWSKI 2014/02/19 APPR: VKOSHY 2014/03/05			DOCUMENT NUMBER	DOC TYPE	DOC PART	REVISION
	DRAFT WHERE APPLICABLE MUST REMAIN WITHIN DIMENSIONS		THIRD ANGLE PROJECTION	DRAWING	SERIES	MATERIAL NUMBER	CUSTOMER	SHEET NUMBER	
				A1-SIZE	160008	SD-160008-0001	PSD	001	A6
						GENERAL MARKET	7 OF 11		

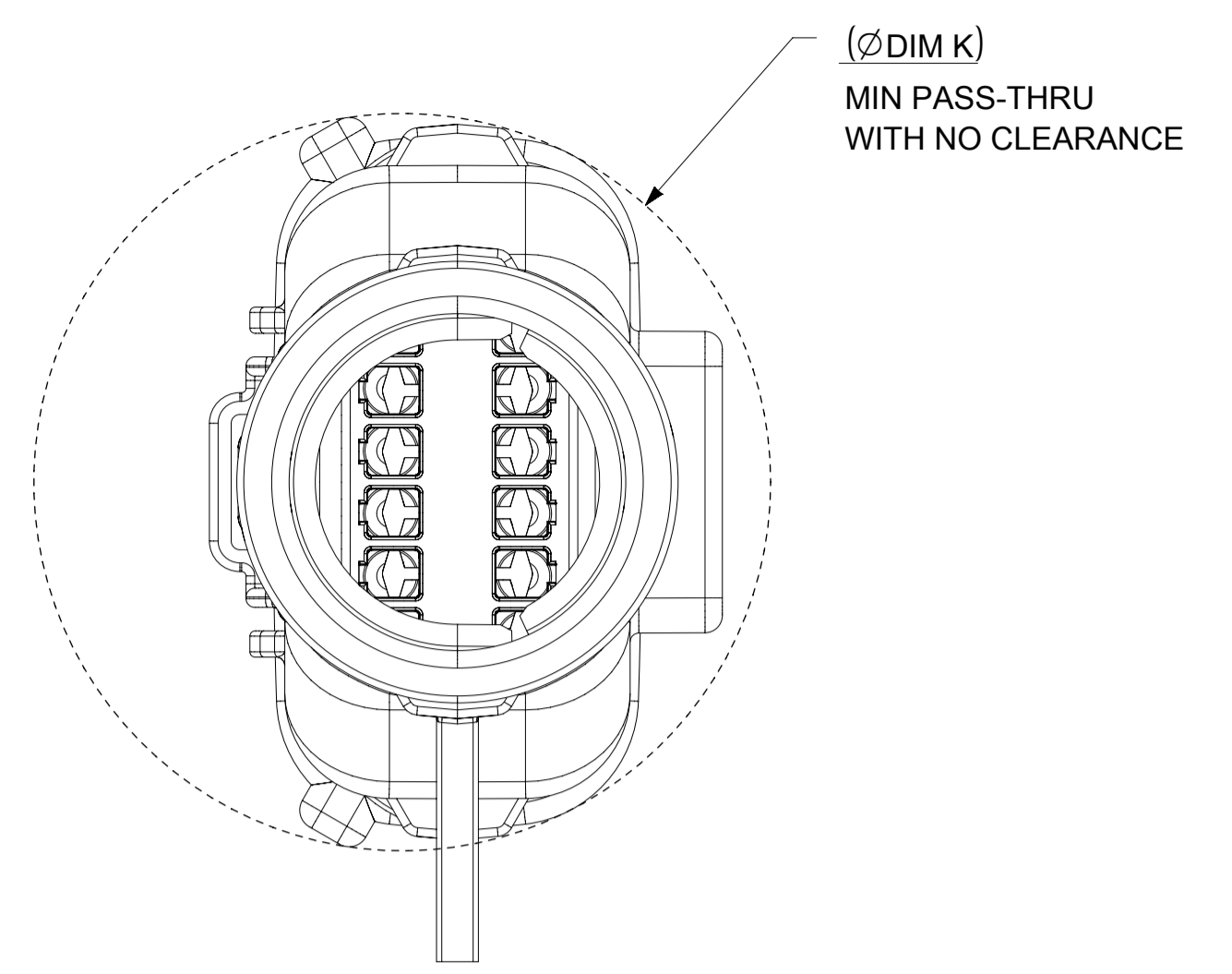
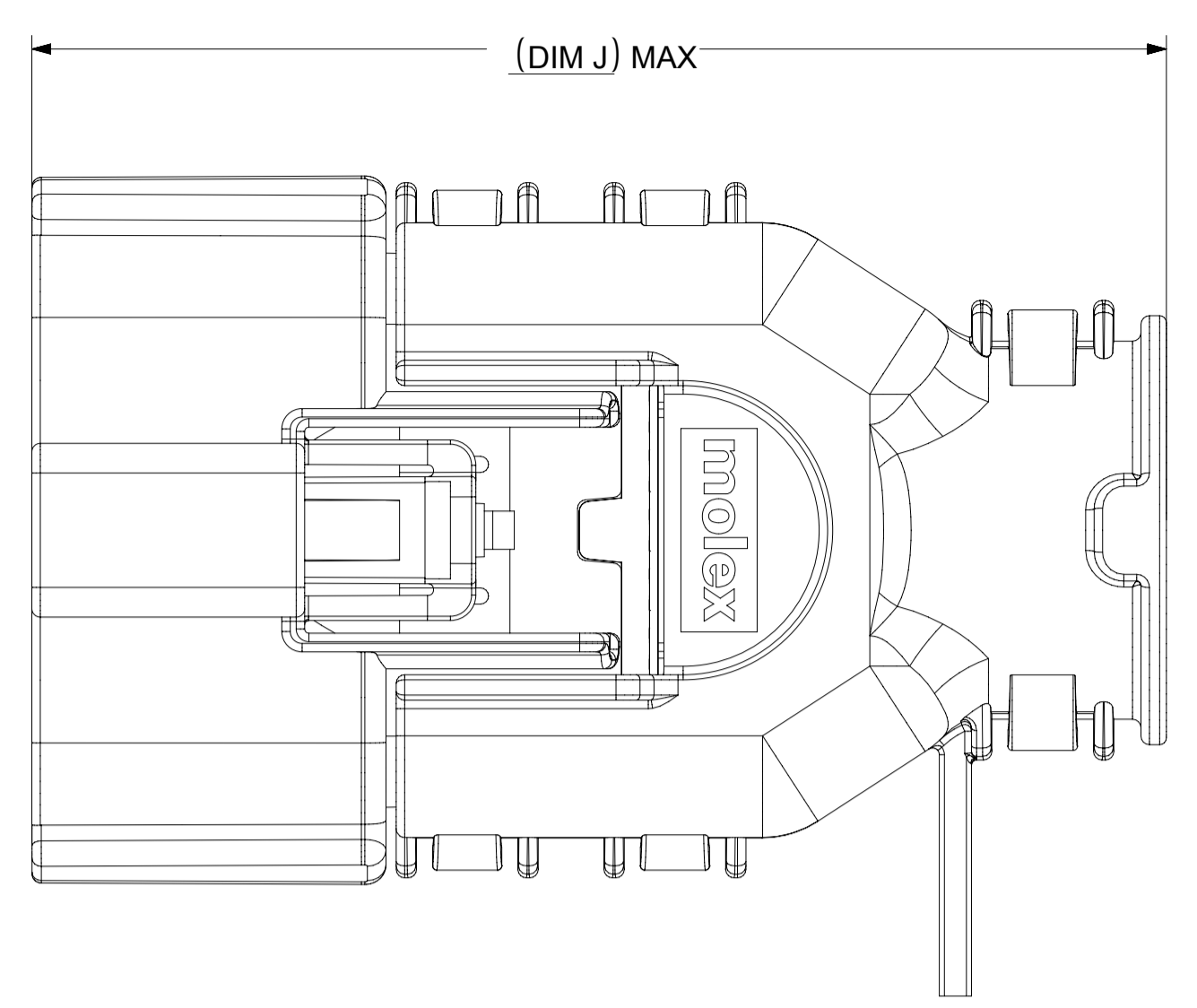
SHEET DESCRIPTION
MOLEX BACKSHELL



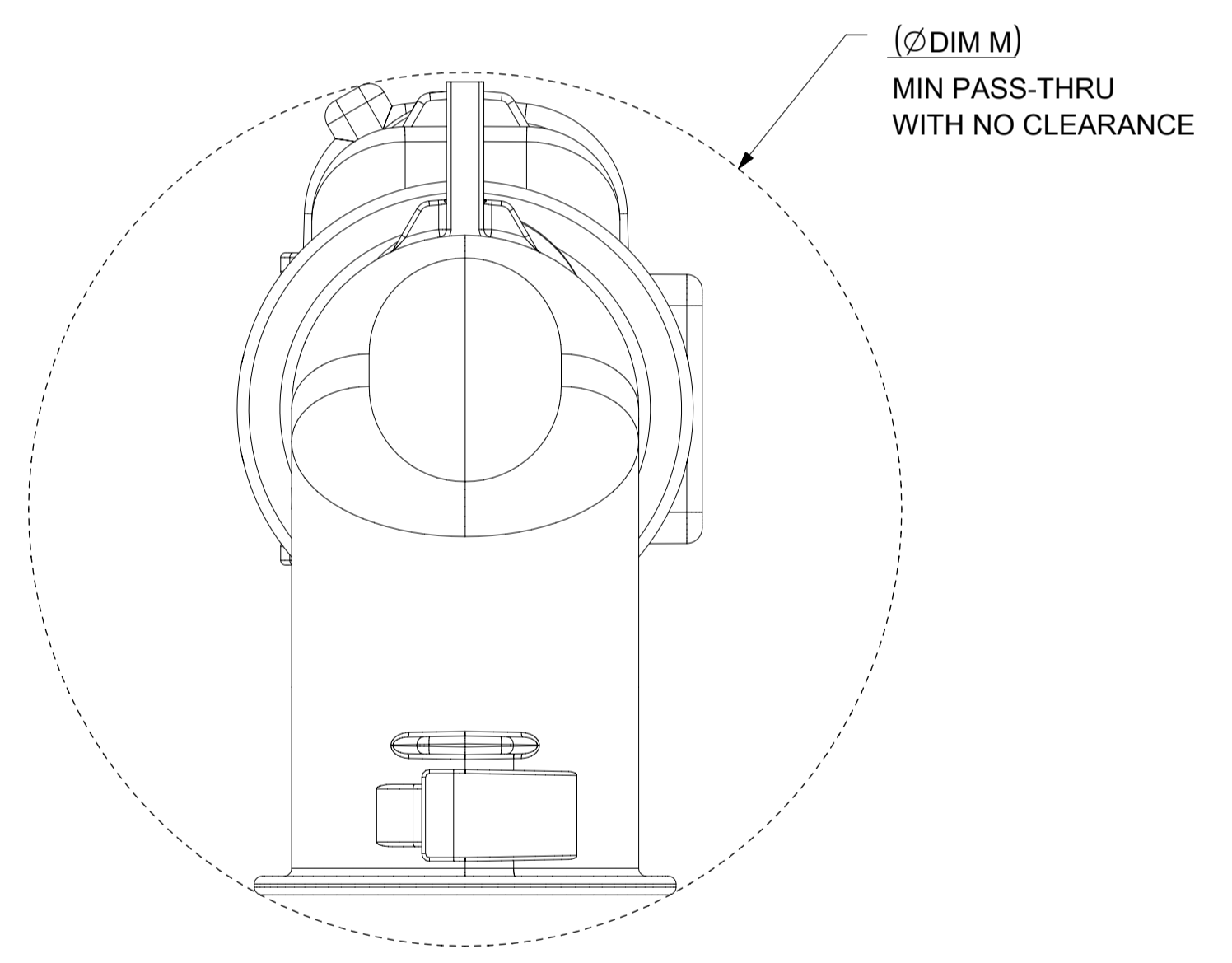
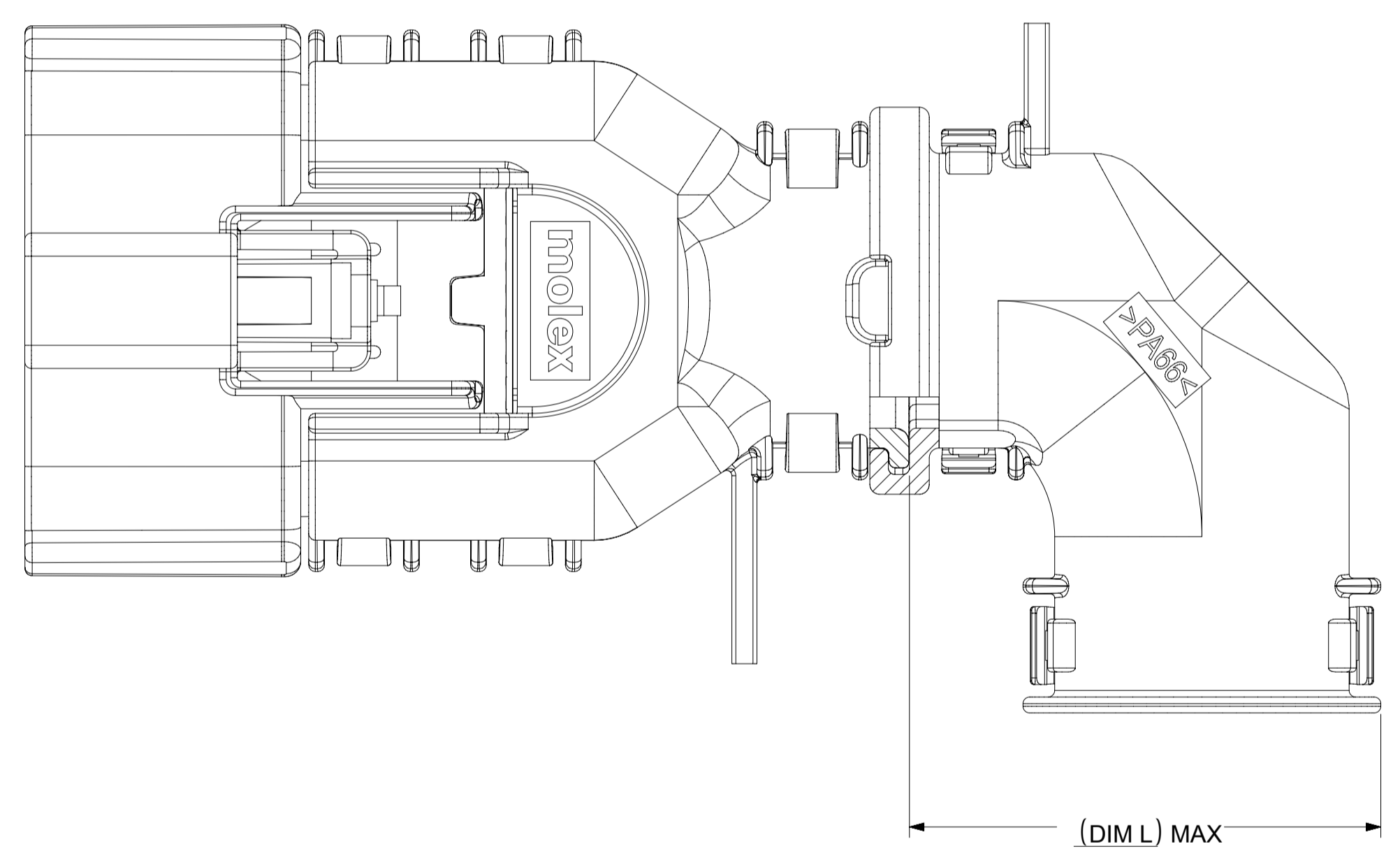
SYMBOLS	THIS DRAWING CONTAINS INFORMATION THAT IS PROPRIETARY TO MOLEX ELECTRONIC TECHNOLOGIES, LLC AND SHOULD NOT BE USED WITHOUT WRITTEN PERMISSION		CURRENT REV DESC:					
	DIMENSION UNITS	SCALE						
▽ = 0	mm	1:1	GENERAL TOLERANCES (UNLESS SPECIFIED)			MX150 GEN 2 RECEPTACLE DUAL ROW SEALED ASSEMBLY MAT SEAL		
▽ = 0	ANGULAR TOL ± 3.0°		4 PLACES ±			PRODUCT CUSTOMER DRAWING		
▽ = 0	3 PLACES ±		2 PLACES ± 0.1			SD-160008-0001		
▽ = 0	2 PLACES ± 0.2		1 PLACE ± 0.2			PSD 001 A6		
▽ = 0	DRAFT WHERE APPLICABLE MUST REMAIN WITHIN DIMENSIONS		THIRD ANGLE PROJECTION			GENERAL MARKET		
▽ = 0	DRAFT WHERE APPLICABLE MUST REMAIN WITHIN DIMENSIONS		DRAWING			SHEET NUMBER		
▽ = 0	DRAFT WHERE APPLICABLE MUST REMAIN WITHIN DIMENSIONS		SERIES			8 OF 11		
▽ = 0	DRAFT WHERE APPLICABLE MUST REMAIN WITHIN DIMENSIONS		A1-SIZE			160008		

SHEET DESCRIPTION
MOLEX BACKSHELL CONFIGURATIONS

DESCRIPTION	DIMENSIONS			
	J	K	L	M
2X2 W/O CLIPSLOT	TBD	TBD	TBD	TBD
2X2 W/ CLIP SLOT	TBD	TBD	TBD	TBD
2X2 LENGTHENED	TBD	TBD	TBD	TBD
2X4 W/ CLIPSLOT	58.44	32.85	32.10	44.26
2X4 W/O CLIPSLOT	N/A	N/A	N/A	N/A
2X8 W/ CLIPSLOT	N/A	N/A	N/A	N/A
2X8 W/O CLIPSLOT	N/A	N/A	N/A	N/A
2X10 W/ CLIPSLOT	67.24	42.65	36.10	56.49
2X10 W/O CLIPSLOT	N/A	N/A	N/A	N/A



RECEPTACLE SEALED ASSEMBLY WITH RECEPTACLE BACKSHELL



ADD THE VALUE OF 'L' TO THE TOTAL DIMENSION FOR WHENEVER ADAPTOR IS USED

SYMBOLS ▽ = 0 ▽ = 0 ▽ = 0 ▽ = 0 ▽ = 0 ▽ = 0 ▽ = 0 ▽ = 0 ▽ = 0 ▽ = 0 ▽ = 0 ▽ = 0	THIS DRAWING CONTAINS INFORMATION THAT IS PROPRIETARY TO MOLEX ELECTRONIC TECHNOLOGIES, LLC AND SHOULD NOT BE USED WITHOUT WRITTEN PERMISSION	DIMENSION UNITS	SCALE	CURRENT REV DESC:			 MX150 GEN 2 RECEPTACLE DUAL ROW SEALED ASSEMBLY MAT SEAL	
	mm	1:1	GENERAL TOLERANCES (UNLESS SPECIFIED)			EC NO: 173183 DRWN: DDEB 2018/02/23 CHK'D: MVANSLAMBROU 2018/03/07 APPR: MVANSLAMBROU 2018/03/07		
	ANGULAR TOL ± 3.0°			INITIAL REVISION:				
	4 PLACES ±	DRWN: KBORUSZEWSKI 2014/02/19			DOCUMENT NUMBER		DOC TYPE	DOC PART
	3 PLACES ±	APPR: VKOSHY 2014/03/05			SD-160008-0001	PSD	001	A6
	2 PLACES ± 0.1	DRAFT WHERE APPLICABLE MUST REMAIN WITHIN DIMENSIONS			MATERIAL NUMBER	CUSTOMER	SHEET NUMBER	
	1 PLACE ± 0.2	THIRD ANGLE PROJECTION	DRAWING	SERIES	GENERAL MARKET	10 OF 11		
	0 PLACES ±		A1-SIZE	160008				
	0 PLACES ±							

18 17 16 15 14 13 12 11 10 9 8 7 6 5 4 3 2 1

SHEET DESCRIPTION
2X10 CONNECTOR INTERFACE DEFINITION

L
K
J
H
G
F
E
D
C
B
A

L
K
J
H
G
F
E
D
C
B
A

**SEE THE FINAL SHEET ON SD-33472-0001
FOR 2X10 CONNECTOR INTERFACE DEFINITION**

18 17 16 15 14 13 12 11 10 9 8 7 6 5 4 3 2 1