

344075-1 ACTIVE

AMP | Ultra-Fast 250

TE Internal #: 344075-1

Housing for Male Terminals, Wire-to-Wire, 2 Position, .354 in [9 mm] Centerline, Sealable, Black, Wire & Cable, Power, Ultra-Fast 250

[View on TE.com >](#)



Connectors > Automotive Connectors > Automotive Housings



Connector System: **Wire-to-Wire**

Number of Positions: **2**

Connector & Housing Type: **Housing for Male Terminals**

Centerline (Pitch): **9 mm [.354 in]**

Sealable: **Yes**

Features

Product Type Features

Hybrid Connector	No
Connector Shape	Rectangular
Connector System	Wire-to-Wire
Connector & Housing Type	Housing for Male Terminals
Sealable	Yes
Connector & Contact Terminates To	Wire & Cable
Primary Locking Feature	Integrated in Housing

Configuration Features

Number of Positions	2
Number of Rows	1

Electrical Characteristics

Nominal Voltage Architecture	12 V
------------------------------	------

Body Features

Primary Product Color	Black
Connector & Keying Code	Neutral

Contact Features

Contact Size	6.35mm
Contact Type	Tab



Contact Current Rating (Max)	19 A
------------------------------	------

Mechanical Attachment

Strain Relief	Without
Mating Alignment Type	Polarizing Rib
Mating Alignment	With
Connector Mounting Type	Cable Mount (Free-Hanging)

Housing Features

Centerline (Pitch)	9 mm [.354 in]
--------------------	----------------

Usage Conditions

Operating Temperature (Max)	105 °C [221 °F]
Operating Temperature Range	-40 – 105 °C [-40 – 221 °F]

Operation/Application

Circuit Application	Power
---------------------	-------

Packaging Features

Packaging Quantity	600
Packaging Method	Box

Other

Connector Position Assurance Capable	No
--------------------------------------	----

Product Compliance

[For compliance documentation, visit the product page on TE.com>](#)

EU RoHS Directive 2011/65/EU	Compliant
EU ELV Directive 2000/53/EC	Compliant
China RoHS 2 Directive MIIT Order No 32, 2016	No Restricted Materials Above Threshold
EU REACH Regulation (EC) No. 1907/2006	Current ECHA Candidate List: JUNE 2023 (235) Candidate List Declared Against: JUNE 2023 (235) Does not contain REACH SVHC
Halogen Content	Low Halogen - Br, Cl, F, I < 900 ppm per homogenous material. Also BFR/CFR/PVC Free
Solder Process Capability	Not applicable for solder process capability

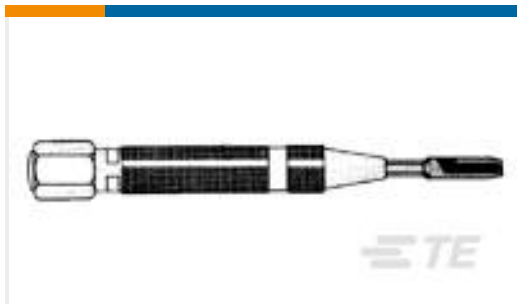


This information is provided based on reasonable inquiry of our suppliers and represents our current actual knowledge based on the information they provided. This information is subject to change. The part numbers that TE has identified as EU RoHS compliant have a maximum concentration of 0.1% by weight in homogenous materials for lead, hexavalent chromium, mercury, PBB, PBDE, DBP, BBP, DEHP, DIBP, and 0.01% for cadmium, or qualify for an exemption to these limits as defined in the Annexes of Directive 2011/65/EU (RoHS2). Finished electrical and electronic equipment products will be CE marked as required by Directive 2011/65/EU. Components may not be CE marked. Additionally, the part numbers that TE has identified as EU ELV compliant have a maximum concentration of 0.1% by weight in homogenous materials for lead, hexavalent chromium, and mercury, and 0.01% for cadmium, or qualify for an exemption to these limits as defined in the Annexes of Directive 2000/53/EC (ELV). Regarding the REACH Regulation, the information TE provides on SVHC in articles for this part number is based on the latest European Chemicals Agency (ECHA) 'Guidance on requirements for substances in articles' posted at this URL: <https://echa.europa.eu/guidance-documents/guidance-on-reach>

Compatible Parts



TE Part # 344081-1
RECPT. HSG. ASSY. 2 WAY



TE Part # 344525-1
ASSY TOOL FOR ECONOSEAL 3HIGH

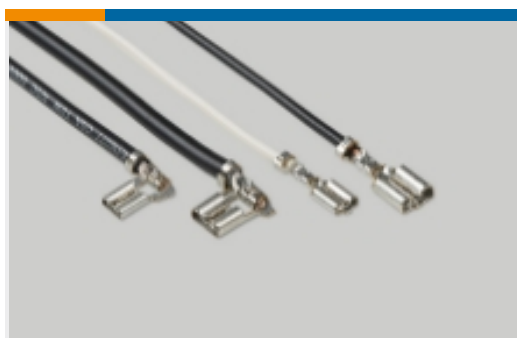


TE Part # 344078-1
2 WAY RECPT. HSG.

Also in the Series | Ultra-Fast 250

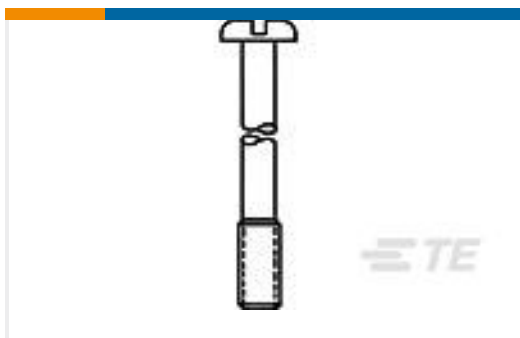


Automotive Housings(6)



Quick Disconnects(49)

Customers Also Bought



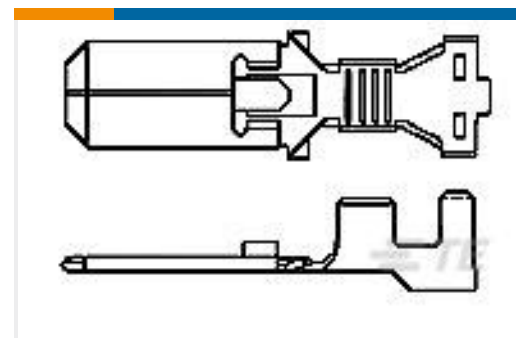
TE Part #5229911-1
SCREW,PAN HD,"CHAMP
PACKAGING



TE Part #61397-1
RING TERMINAL CRIMP 18-14 AWG
TPBR



TE Part #5148468-1
ASSY,PIN,EUROCARD,TYPE C,LEAD-
FREE,144/1



TE Part #344008-1
.250" SPEC.F.TAB (PLATED)



Documents

Product Drawings

2 WAY TAB HSG.

English

CAD Files

Customer View Model

[ENG_CVM_344075-1_C.3d_igs.zip](#)

English

Customer View Model

[ENG_CVM_344075-1_C.3d_stp.zip](#)

English

Customer View Model

[ENG_CVM_344075-1_C.2d_dxf.zip](#)

English

3D PDF

English

By downloading the CAD file I accept and agree to the [Terms and Conditions](#) of use.