

Customer Information Sheet

DRAWING No.: M22-253XXX

SHEET 2 OF 2

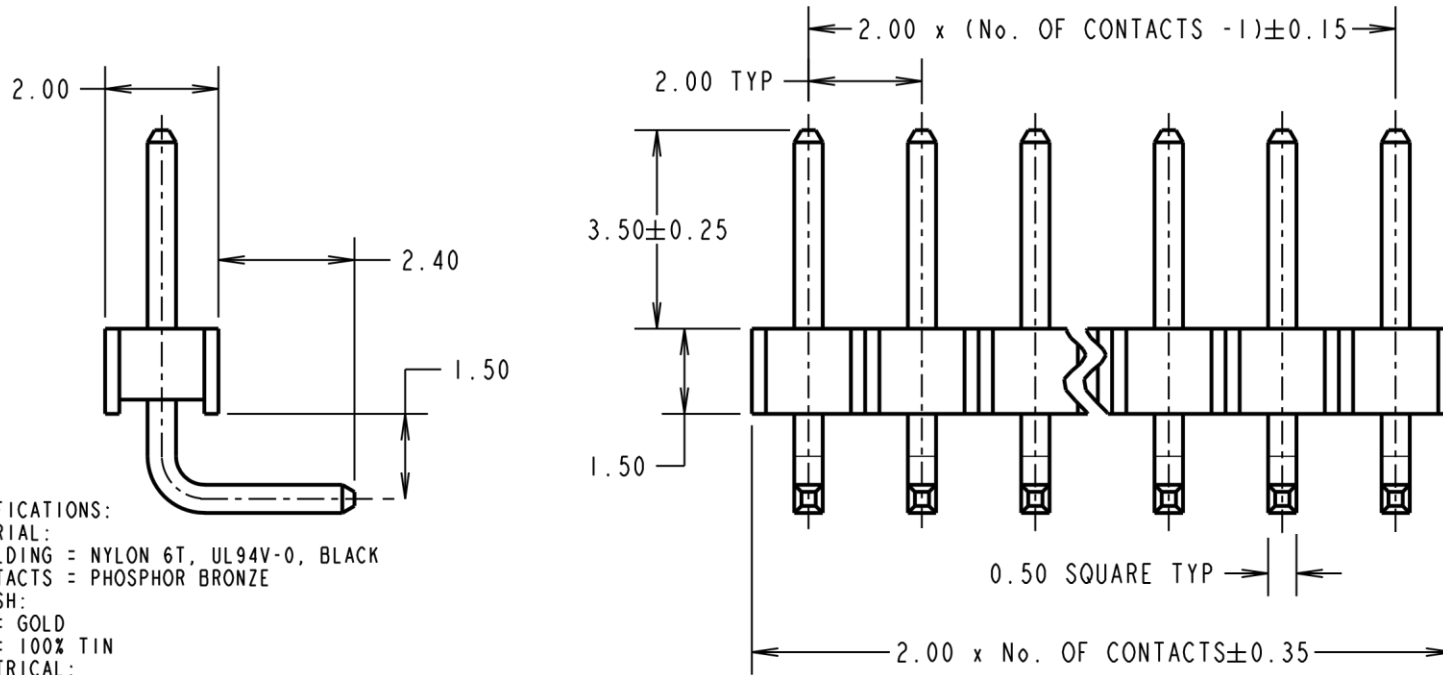
IF IN DOUBT - ASK

Ⓒ

NOT TO SCALE

THIRD ANGLE PROJECTION

ALL DIMENSIONS IN mm



ORDER CODE:
M22-253XXX

No. OF WAYS _____
 02 - 50

FINISH _____
 05 = GOLD
 46 = 100% TIN

SPECIFICATIONS:

MATERIAL:
 MOULDING = NYLON 6T, UL94V-0, BLACK
 CONTACTS = PHOSPHOR BRONZE

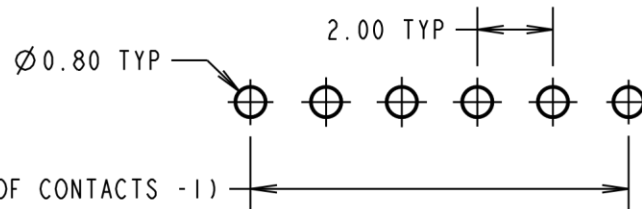
FINISH:
 05 = GOLD
 46 = 100% TIN

ELECTRICAL:
 CURRENT RATING = 1A
 VOLTAGE PROOF = 650V AC
 CONTACT RESISTANCE:
 INITIAL = 15 mΩ MAX (GOLD), 20 mΩ MAX (TIN)
 AFTER CONDITIONING = 20 mΩ MAX (GOLD), 30 mΩ MAX (TIN)
 INSULATION RESISTANCE:
 INITIAL = 1,000 MΩ MIN
 AFTER CONDITIONING = 100 MΩ MIN

MECHANICAL:
 DURABILITY = 300 OPERATIONS (GOLD), 50 OPERATIONS (TIN)
 INSERTION FORCE = 2N MAX
 WITHDRAWAL FORCE = 0.3N MIN

ENVIRONMENTAL:
 TEMPERATURE RANGE = -55°C TO +105°C

PACKING:
 BAG
 FOR COMPLETE SPECIFICATION, SEE
 COMPONENT SPECIFICATION C018XX (LATEST ISSUE)



RECOMMENDED PCB LAYOUT

NOTES:

1. ALL TOLERANCES ARE ±0.20 UNLESS OTHERWISE STATED.

MGP	7	22.08.13	12196
NAME	ISS.	DATE	C/NOTE
APPROVED: MGP			
CHECKED: SF			
DRAWN: W. J. BOURNE			
CUSTOMER REF.:			
ASSEMBLY DRG:			

HARWIN

www.harwin.com
 technical@harwin.com

THIS DRAWING AND ANY INFORMATION OR DESCRIPTIVE MATTER SET OUT HEREON ARE CONFIDENTIAL AND COPYRIGHT PROPERTY OF THE HARWIN GROUP AND MUST NOT BE DISCLOSED, LOANED, COPIED OR USED FOR MANUFACTURING, TENDERING OR FOR ANY OTHER PURPOSE WITHOUT THEIR WRITTEN PERMISSION.

TOLERANCES
~~X = ±1mm~~
~~X.X = ±0.25mm~~
~~X.XX = ±0.10mm~~
~~X.XXX = ±0.01mm~~
 ANGLES = ±5°
 UNLESS STATED

MATERIAL:
 SEE ABOVE

FINISH:
 SEE ABOVE

S/AREA:
 mm²

TITLE:
 2.00mm PITCH SIL HORIZONTAL
 PC TAIL PIN HEADER ASSEMBLY

DRAWING NUMBER:
M22-253XXX

SHT
 2 OF 2