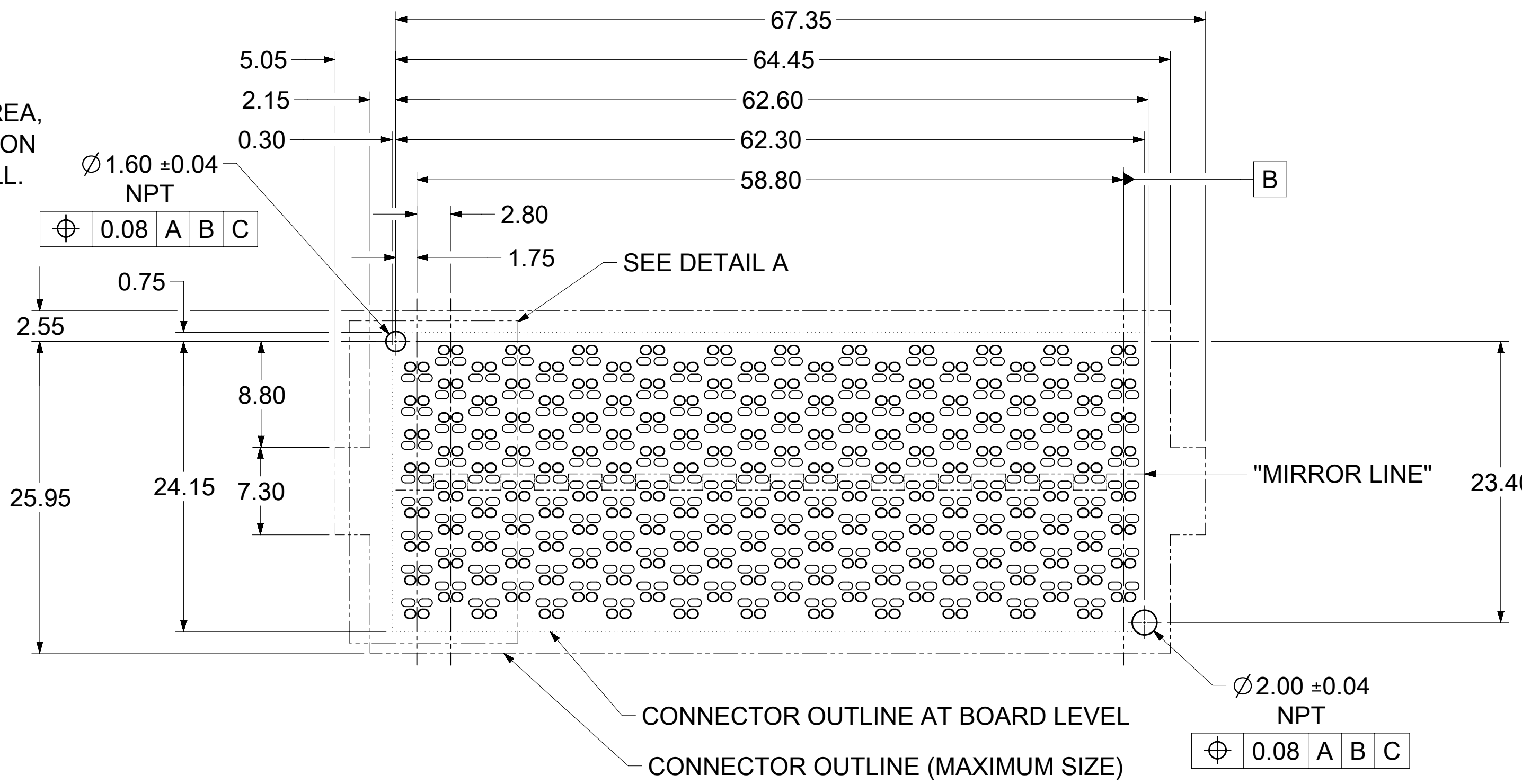
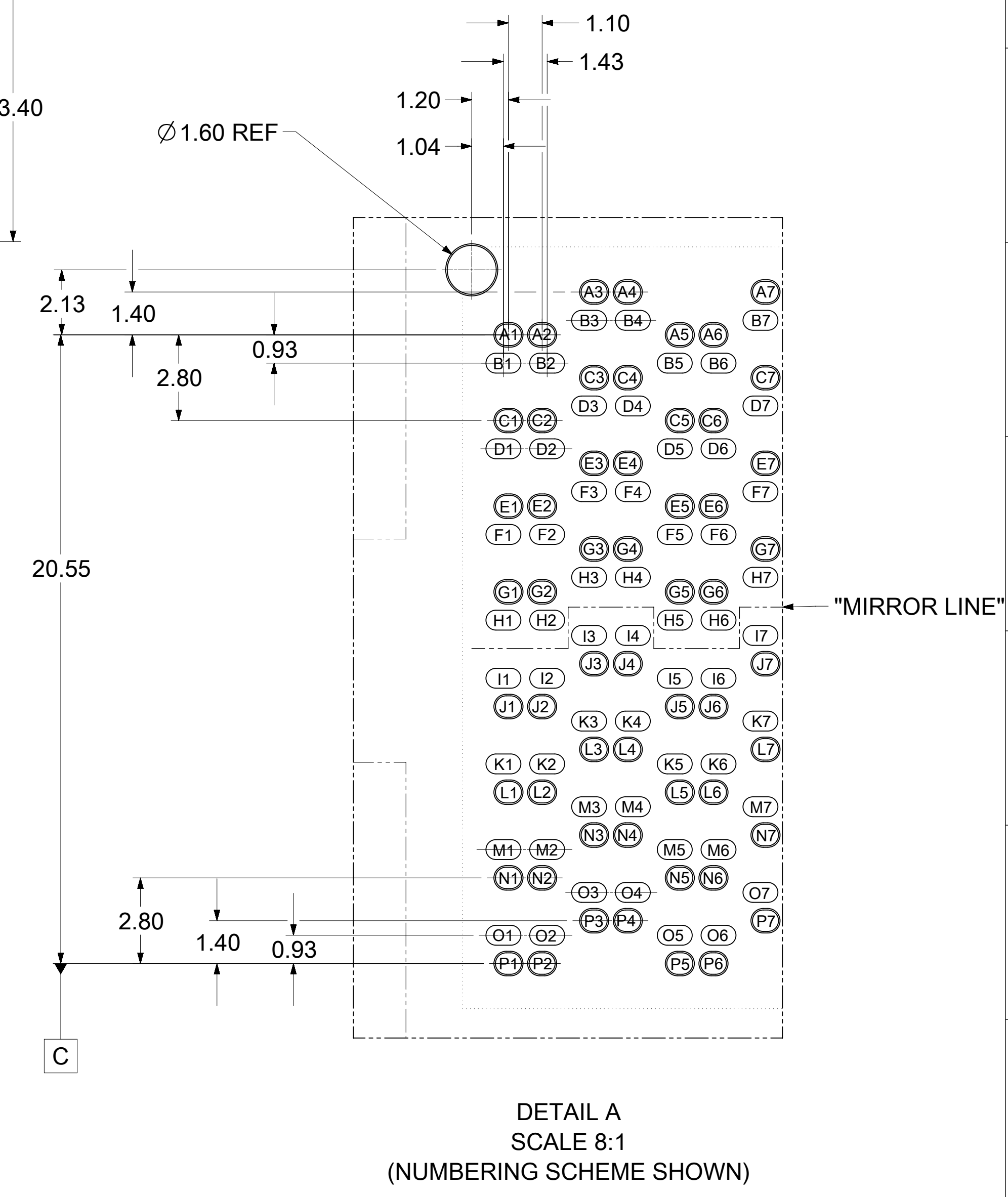
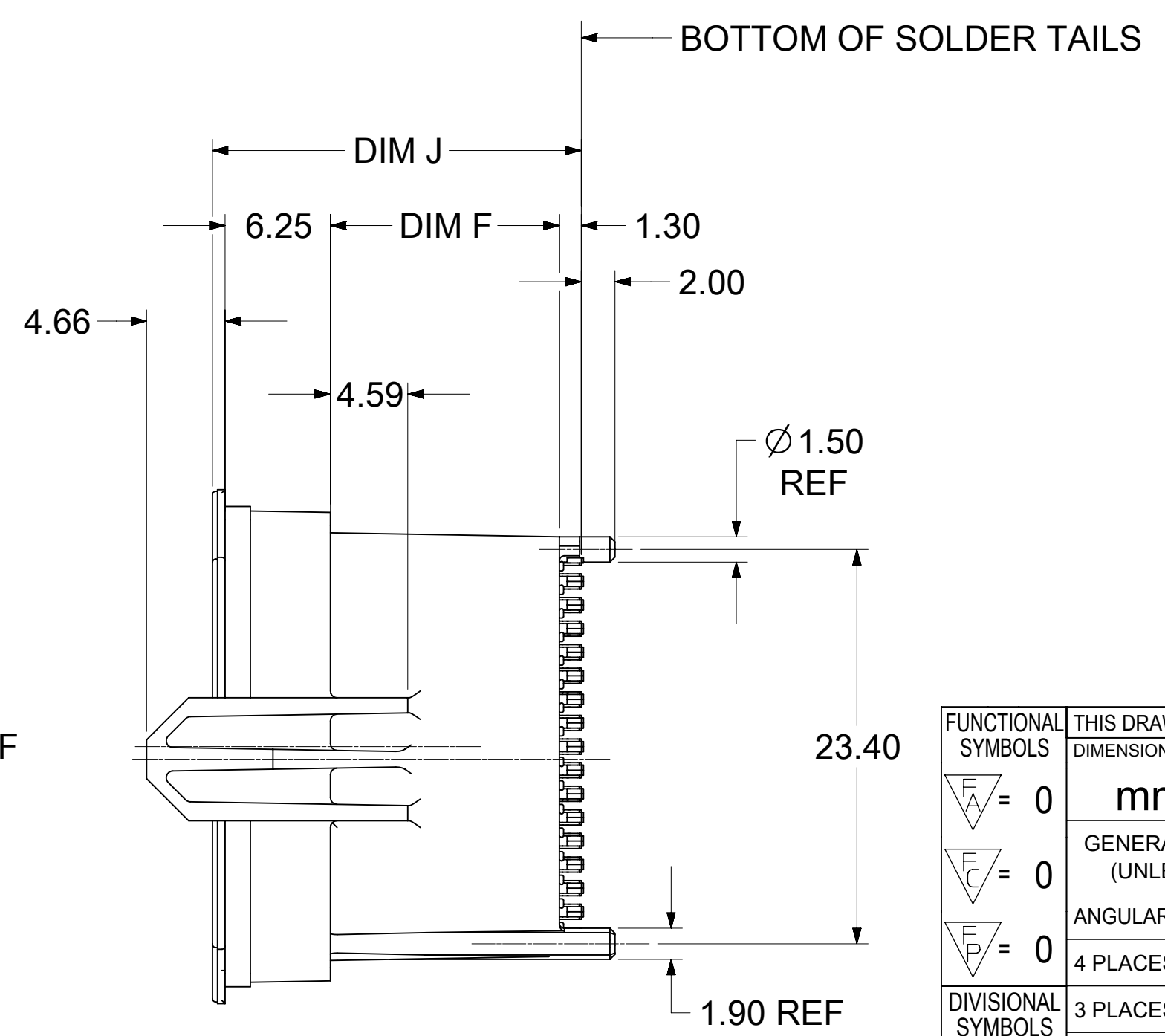
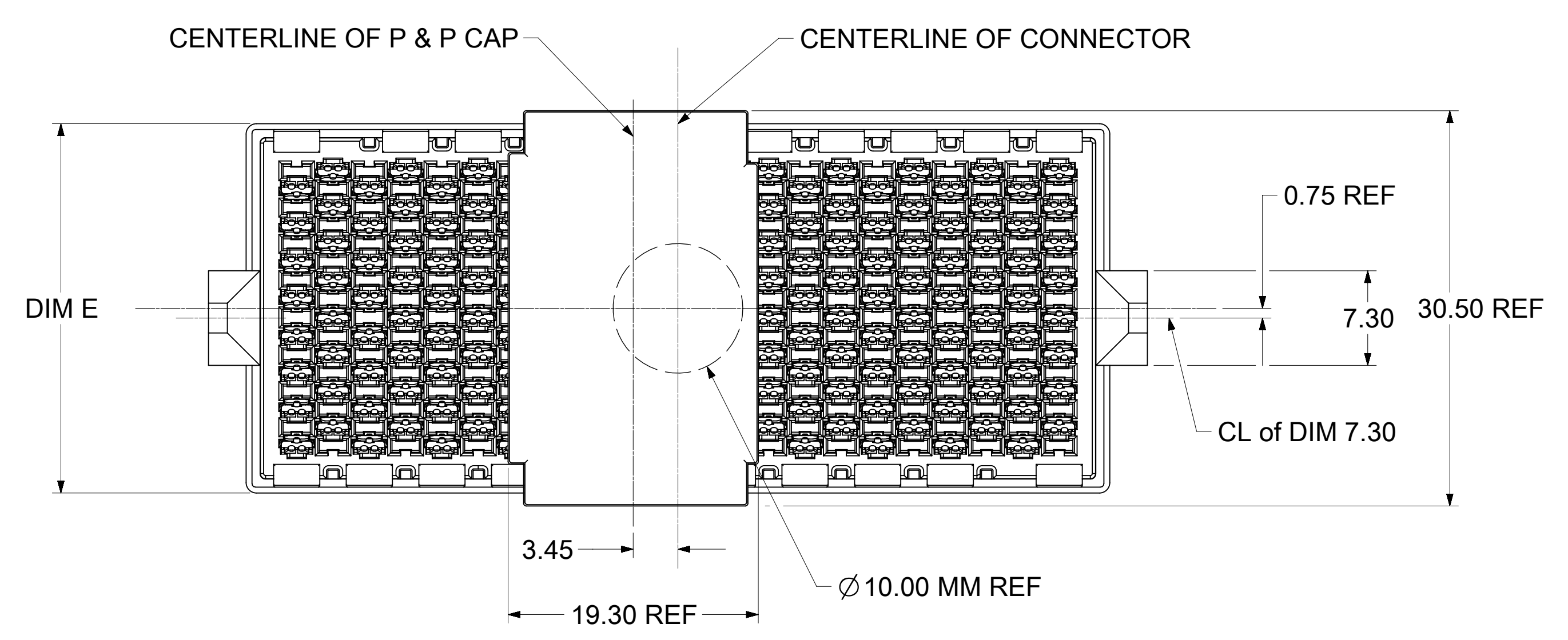
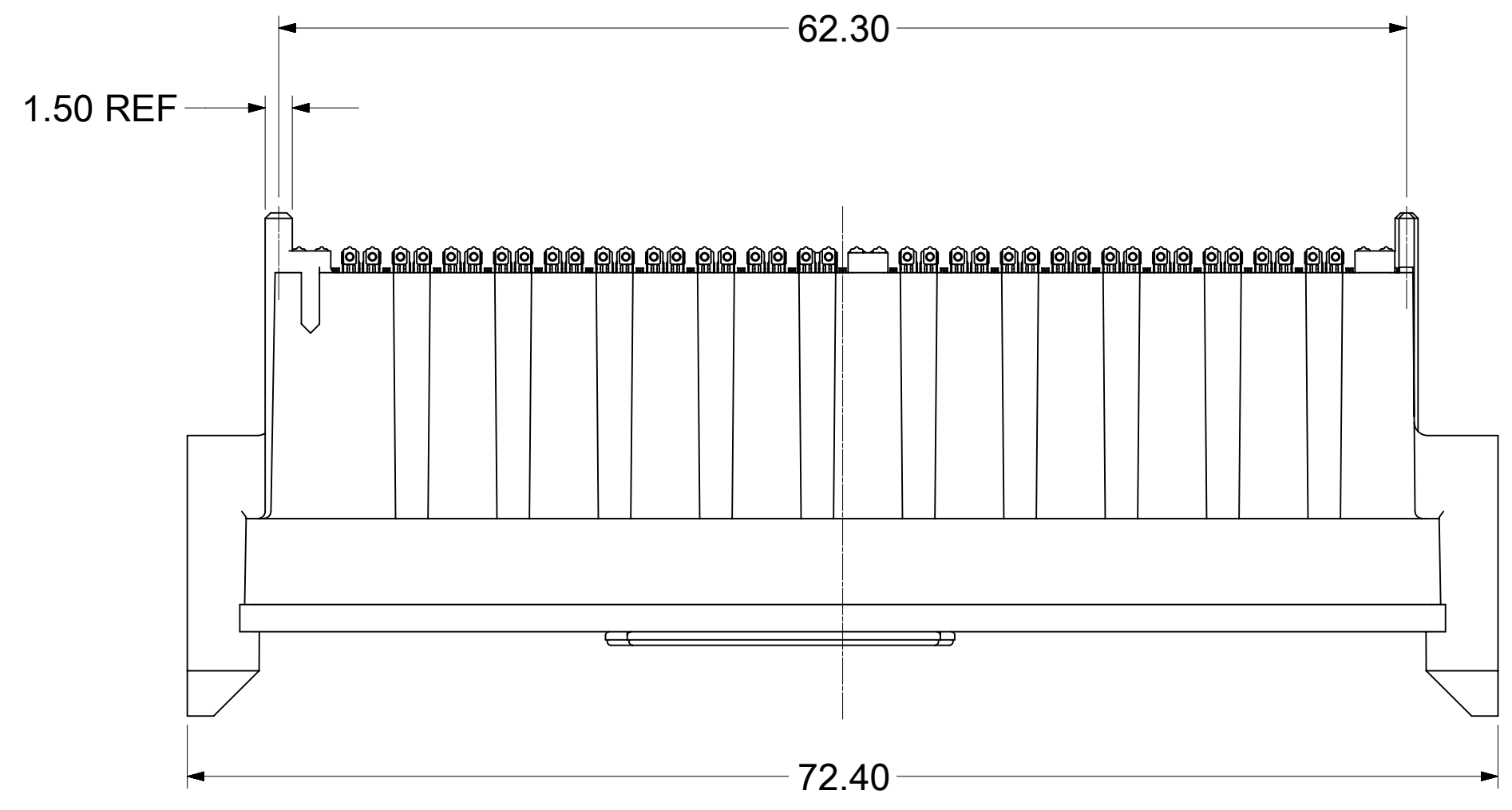


- NOTES:
- HOUSING MATERIAL: LCP, GLASS FILLED, UL 94V-0, BLACK
CONTACT MATERIAL: HIGH PERFORMANCE COPPER ALLOY
SOLDER CHARGE: LEAD FREE SOLDER ALLOY
 - FINISH:
CONTACTS: SELECTIVE GOLD: 30μ INCHES MIN ON CONTACT AREA,
SELECTIVE TIN: 100μ INCHES MIN ON SOLDERABLE PORTION
OF SOLDER TAILS; OVER 50μ INCHES MIN NICKEL OVERALL.
 - PRODUCT SPECIFICATION: PS-170807-0001
 - PACKAGING SPECIFICATION: PK-170814-002
 - APPLICATION SPECIFICATION: AS-170807-0001



FOOT PRINT

- FOOT PRINT NOTES:
- DATUM -A- IS THE TOP OF THE PCB.
 - ALL DIMENSIONS ARE BASICS.



THIS DRAWING CONTAINS INFORMATION THAT IS PROPRIETARY TO MOLEX ELECTRONIC TECHNOLOGIES, LLC AND SHOULD NOT BE USED WITHOUT WRITTEN PERMISSION									
FUNCTIONAL SYMBOLS	DIMENSION UNITS	SCALE	CURRENT REV DESC: REMASTER DRAWING						
$F_A = 0$	mm	3:1							
$F_C = 0$	GENERAL TOLERANCES (UNLESS SPECIFIED)								
$F_D = 0$	ANGULAR TOL $\pm 0.5^\circ$								
DIVISIONAL SYMBOLS	4 PLACES	\pm	EC NO: 657356						
	3 PLACES	\pm	DRWN: MNAGANATH 2021/03/05						
	2 PLACES	± 0.15	CHK'D: JESSIECHUA 2021/03/08						
	1 PLACE	\pm	APPR: SHONG 2021/03/12						
	0 PLACES	\pm	INITIAL REVISION:						
			DRWN: JESSIECHUA 2014/02/11						
			APPR: SHONG 2014/04/14						
DRAFT WHERE APPLICABLE MUST REMAIN WITHIN DIMENSIONS			THIRD ANGLE PROJECTION	DRAWING	SERIES	MATERIAL NUMBER	CUSTOMER	SHEET NUMBER	
				D-SIZE	170814	SEE TABLE	GENERAL MARKET	1 OF 2	

molex

RECEPTACLE, NEOSCALE, 8X22
18MM, 100 OHMS

PRODUCT CUSTOMER DRAWING

DOCUMENT NUMBER	DOC TYPE	DOC PART	REVISION
SD-170814-8000	PSD	001	A2

DOCUMENT STATUS	P1	RELEASE DATE	2021/03/12 06:24:07
-----------------	----	--------------	---------------------

MATERIAL NUMBER	HEIGHT	TRIAD TYPE AND COUNT			DIM E	DIM F	DIM J	MATE WITH
		85 OHMS	100 OHMS	POWER				
1708142006	18.00MM	N/A	176 PLACES	N/A	28.50	13.59	21.89	1708072006 (22MM)
1708140045	18.00MM	176 PLACES	N/A	N/A	28.50	13.59	21.89	1708070047 (22MM)

FUNCTIONAL SYMBOLS	THIS DRAWING CONTAINS INFORMATION THAT IS PROPRIETARY TO MOLEX ELECTRONIC TECHNOLOGIES, LLC AND SHOULD NOT BE USED WITHOUT WRITTEN PERMISSION		
	DIMENSION UNITS	SCALE	CURRENT REV DESC: REMASTER DRAWING
$\nabla_A = 0$	mm	1:1	EC NO: 657356 DRWN: MNAGANATH 2021/03/05 CHK'D: JESSIECHUA 2021/03/08 APPR: SHONG 2021/03/12
$\nabla_C = 0$	GENERAL TOLERANCES (UNLESS SPECIFIED)		
$\nabla_P = 0$	ANGULAR TOL	$\pm 0.5^\circ$	INITIAL REVISION: DRWN: JESSIECHUA 2014/02/11 APPR: SHONG 2014/04/14
DIVISIONAL SYMBOLS	4 PLACES	\pm	
	3 PLACES	\pm	DOCUMENT NUMBER SD-170814-8000 DOC TYPE PSD DOC PART 001 REVISION A2
	2 PLACES	± 0.15	
	1 PLACE	\pm	MATERIAL NUMBER SEE TABLE CUSTOMER GENERAL MARKET SHEET NUMBER 2 OF 2
	0 PLACES	\pm	
	DRAFT WHERE APPLICABLE MUST REMAIN WITHIN DIMENSIONS	THIRD ANGLE PROJECTION	DRAWING D-SIZE SERIES 170814

molex

RECEPTACLE, NEOSCALE, 8X22
18MM, 100 OHMS

PRODUCT CUSTOMER DRAWING