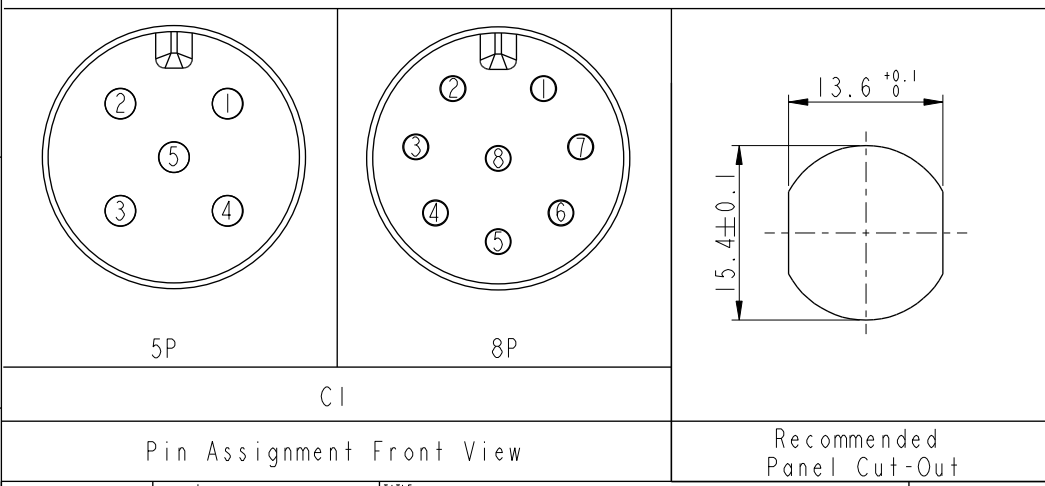
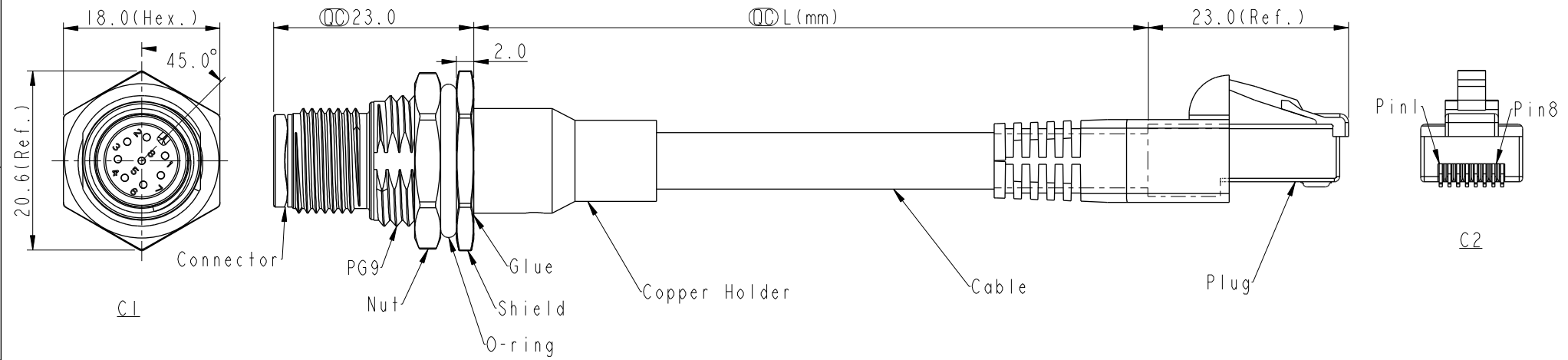


THIS DOCUMENT IS SUBJECT TO CHANGE WITHOUT NOTICE. IT IS CONFIDENTIAL AND A PROPERTY OF AMPHENOL LTW. DISCLOSURE TO THIRD PARTY HAS TO BE AUTHORIZED BY AMPHENOL LTW.

REV.	ECN NO.	DATE	SIGN	DESCRIPTION
A		2022-06-22	Jiahe Lin	Rev.01 To Rev.A
B	C221046	2022-07-07	Jiahe Lin	*1

MSAS-XXPMMJ-SF8AXX
 XX: No. Of Pin
 XX:L=0~05Meters
 A5:L=0.5Meters
 01:L=1Meters
 02:L=2Meters
 ⋮
 05:L=5Meters



- Note:
- * RoHS Compliant
 - * Important dimension
 - * C1
 - Waterproof rate: IPX8, unmated 1m/24h
 - Housing: Thermoplastic, Black
 - Pin: Copper alloy, Gold plated
 - O-Ring: Rubber, Black
 - Shield: Metal
 - Nut: Metal
 - * C2
 - Waterproof rate: Non-Waterproof
 - Plug: RJ45, Shielded
 - * For panel thickness max: 4.5mm
 - * Nut is packed separately in pe bag
 - * Cable: Cat5E, PU Jacket, Black
 - * Cable length tolerance: 0.5M < L ≤ 1M: +60/-0 mm
 1M < L ≤ 3M: +120/-0 mm
 3M < L ≤ 5M: +160/-0 mm

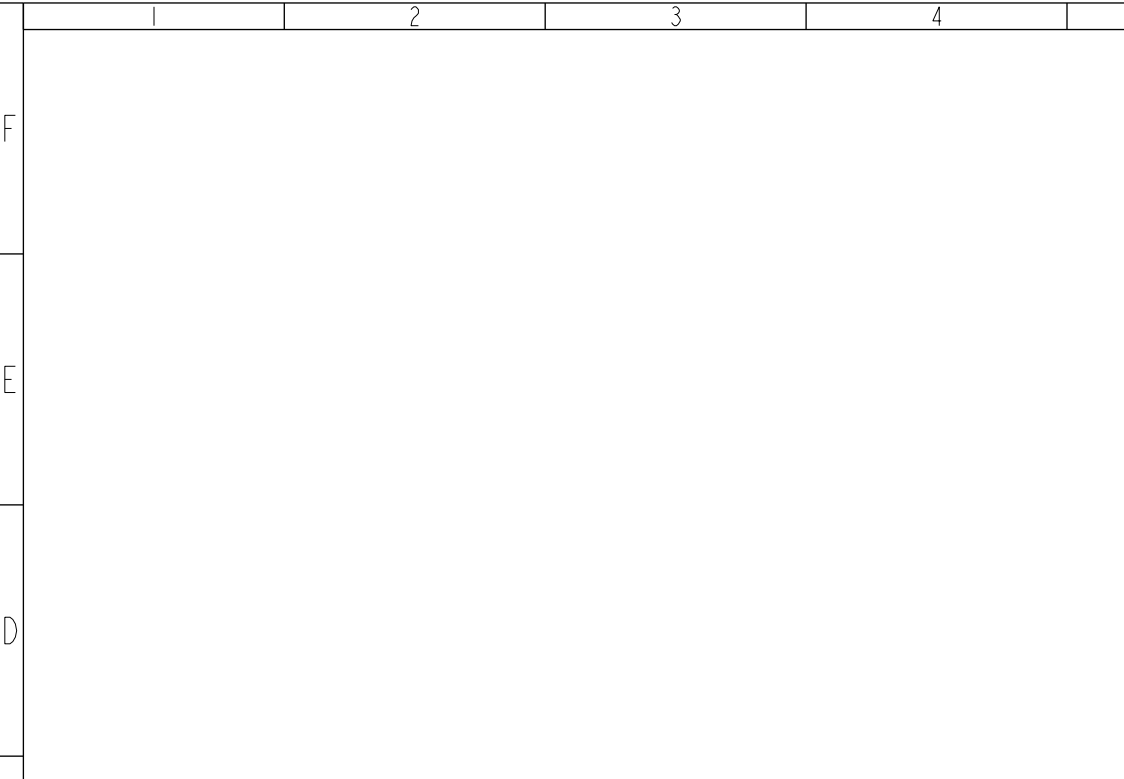
UNIT: mm			TITLE N SEN, M12 A -SHLD, SCREW RECEPTACLE, M, M, RJ PLUG	
TOLERANCE .X ±0.25 .XX ±0.1 .XXX ±0.05 ANGLES ±1°	SCALE 2:1	SIZE A4	SHEET 1 OF 2	REV. B
		WC-REV.	: Inspection item	

Amphenol LTW
 安費諾亮泰企業股份有限公司

ITEM NO.	DRAWN BY	DATE
DWG NO.	CHECKED BY	DATE
CUSTOMER	APPROVED BY	DATE
ALTW	Jiahe Lin Allen Pan Fred Lee	2022-06-22 2022-06-22 2022-06-22

THIS DOCUMENT IS SUBJECT TO CHANGE WITHOUT NOTICE. IT IS CONFIDENTIAL AND A PROPERTY OF Amphenol LTW. DISCLOSURE TO THIRD PARTY HAS TO BE AUTHORIZED BY Amphenol LTW.

5	6	7	8
8P	6.5	24#*4P+AL/MY+D	MSAS-08PMMJ-SF8AXX
5P	6.2	22#*2P+AL/MY+D	MSAS-05PMMJ-SF8AXX
Contacts	Cable OD	Cable Spec	Item No.



跳線	Shield			
	5	Drain	地線	Shield
	4	Green	綠	6
	2	White/Green	白/綠	3
	3	Orange	橘	2
	1	White/Orange	白/橘	1
	C1	Wire Color		C2

Shield	Drain	地線	Shield	
3	Brown	棕	8	Twist
2	White/Brown	白/棕	7	Twist
8	Green	綠	6	Twist
5	White/Green	白/綠	3	Twist
7	Blue	藍	4	Twist
1	White/Blue	白/藍	5	Twist
4	Orange	橘	2	Twist
6	White/Orange	白/橘	1	Twist
C1	Wire Color		C2	

5P Pin Out

8P Pin Out

UNIT:mm		
TOLERANCE		
.X	±0.25	
.XX	±0.1	
.XXX	±0.05	
ANGLES	±1°	

TITLE N SEN, M12 A -SHLD, SCREW RECEPTACLE, M, M, RJ PLUG		
SCALE 2:1	SIZE A4	SHEET 2 OF 2
REV. B	WC-REV.	☉: Inspection item

Amphenol LTW
安費諾亮泰企業股份有限公司

ITEM NO	DRAWN BY	DATE
DWG NO MSAS-XXPMMJ-SF8AXX	Jiahe Lin	2022-06-22
CUSTOMER ALTW	CHECKED BY Allen Pan	DATE 2022-06-22
	APPROVED BY Fred Lee	DATE 2022-06-22