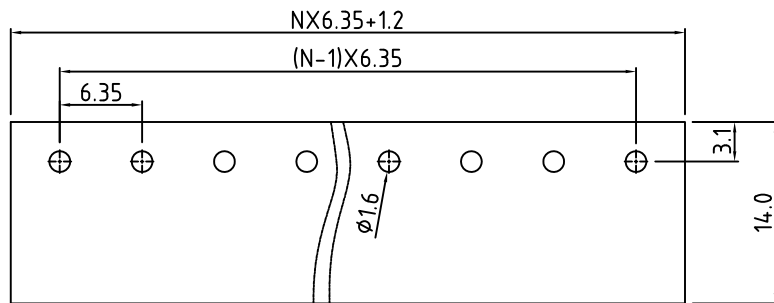
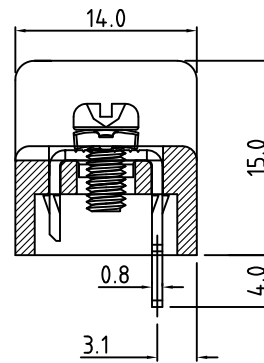
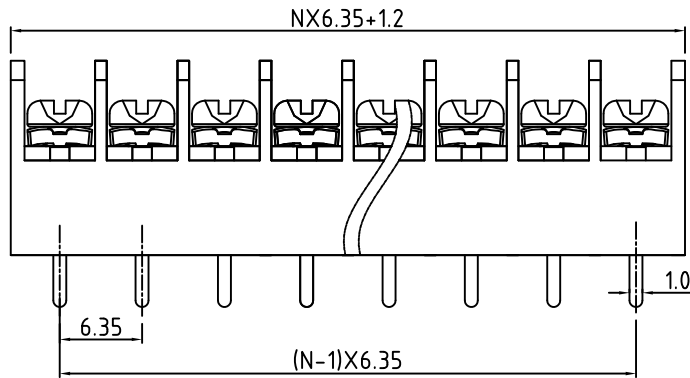


N=Number of contacts



P.C.B LAYOUT

Technical Data:

Electrical

Pitch: 6.35mm
 Voltage rating: 250 V
 Current rating: 10 Amps
 Contact resistance: 20mΩ(max)
 Withstanding Voltage: 2500VAC(1min) Test time=60sec/1pcs
 Wire range: 18-22 AWG

Mechanical:

Torque: 7.0kgf.cm/M3.0
 Operating temperature: -40°C to +105°C
 Soldering temperature
 Temperature= 250°C±10°C / 5 seconds max
 Safety approval:
 RoHS Compliance

Part No.:

OSTYK211XX030

No. of Poles
 02 2 Poles
 03 3 Poles

 24 24 Poles

Screw	Steel / M3.0	Ni plated	1xN
Terminal	Copper Alloy	Tin plated	1xN
Body	PA66+20%GF/PBT+15%GF		1
ITEM	NAME OF PART	MATERIAL	NOTES
DWG.	DATE	UNITS: MM	SHEET: 1 OF 1
CHK.	DATE	SCALE: NONE 2.5:1 (:)	REV.: A
APP.	DATE	TITLE: OSTYK-211 SERIES 6.35MM	X. ±0.50
		PART NO. OSTYK211XX030	X.XX ±0.30
		DWG NO. OSTYK211XX030.DWG	X* ±1°

REV	△	DESCRIPTION	CHK.	DATE
-----	---	-------------	------	------



ON-SHORE TECHNOLOGY, INC.

Transfer or duplication of this document as well as the utilisation or communication of its content are not permitted unless express consent is granted. Violations give rise to claims for damages. All rights reserved in case of patent, utility model or design patent registrations.