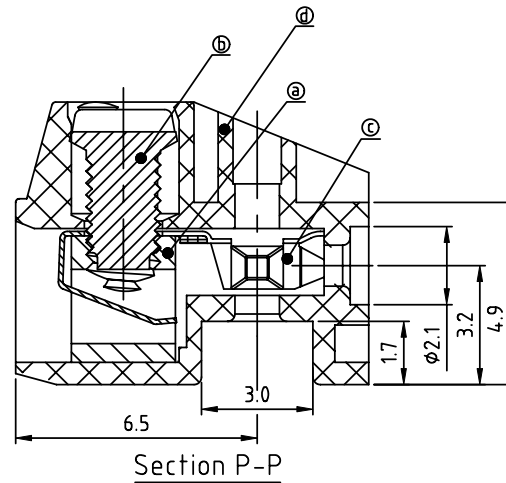
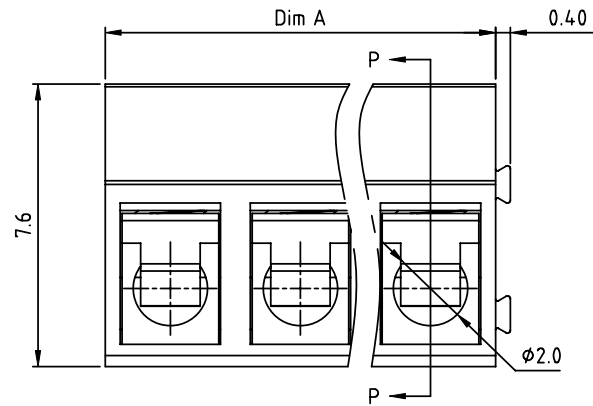
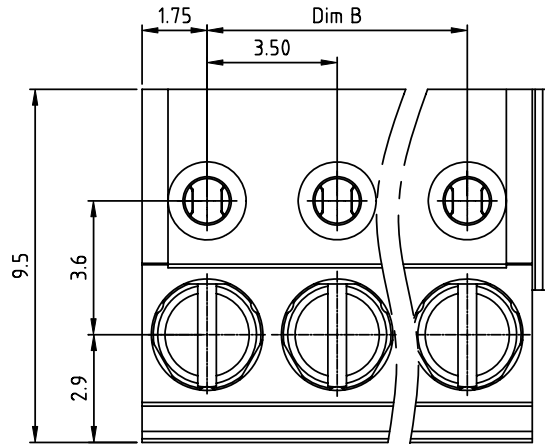


PRODUCT NUMBER	PITCH
EHxx21x000J0G	3.50 mm



Material:

- Item a Clamp: Brass(CuZn) Ni plated
- Item b Terminal screw: Steel Zinc plating;“-”slot type
- Item c Female contact: High conductivity copper
- Item d Terminal(housing): Thermoplastic (UL94 V-0)

Electrical cULus

- Voltage rating: 150VAC
- Current rating: 10A
- Wire range:
- Solid wire(AWG): 16-28
- Stranded wire(AWG):16-28
- Torque(Lb-In): 1.1
- Screw: M2
- Wire strip length: 5-6mm
- Withstanding Voltage: 1.3KV
- Operating temperature: -40°C to +115°C
- Safety Approval: cULus

PART NO.: EH xx 21 x 0 00J0 G

N = Number of poles
 Dim A=Nx3.5
 Dim B=(N-1)x3.5

poles	Dim A	Dim B
2-6p	±0.15	±0.15
7-12p	±0.20	±0.20
13-18p	±0.25	±0.25
19-24p	±0.30	±0.25

End Stackable	No. of poles	Color	RoHS compliant (lead<4%) In copper Alloy
0	2	Black (RAL9005)	
02	2 poles	Red (RAL3001/D)	
03	3 poles	Orange(RAL2011/P)	
...	...	4 Yellow(RAL1018/A)	
24	24 poles	5 Green(RAL6018/T)	
		6 Blue (RAL5015/A)	
		8 Grey(RAL7035/D)	
		9 White(RAL1102)	
		C Green(RAL6018/U)	

mat'l. code		surface ASME Y14.5 ✓	tolerance ASME Y14.5	projection	product family
itr ecn no dr date		tolerances unless otherwise specified		MM	TERMINAL BLOCK
		angles	X.±0.5	scale	title
		φ	X.X±0.3		TERMINAL BLOCK
		X*±1*	X.XX±0.1		PLUGGABLE,180D WIRE INLET,END STACKABLE
		dr	EVIN ZHONG 041614	FCI	dwg no
		enrg	EVIN ZHONG 041614		sheet 1 of 1
		chr	HANKE FENG 041614		size
		appd	SHI JUN 041614		A4
sheet index	revision sheet	A	1		type CUSTOMER Drawing