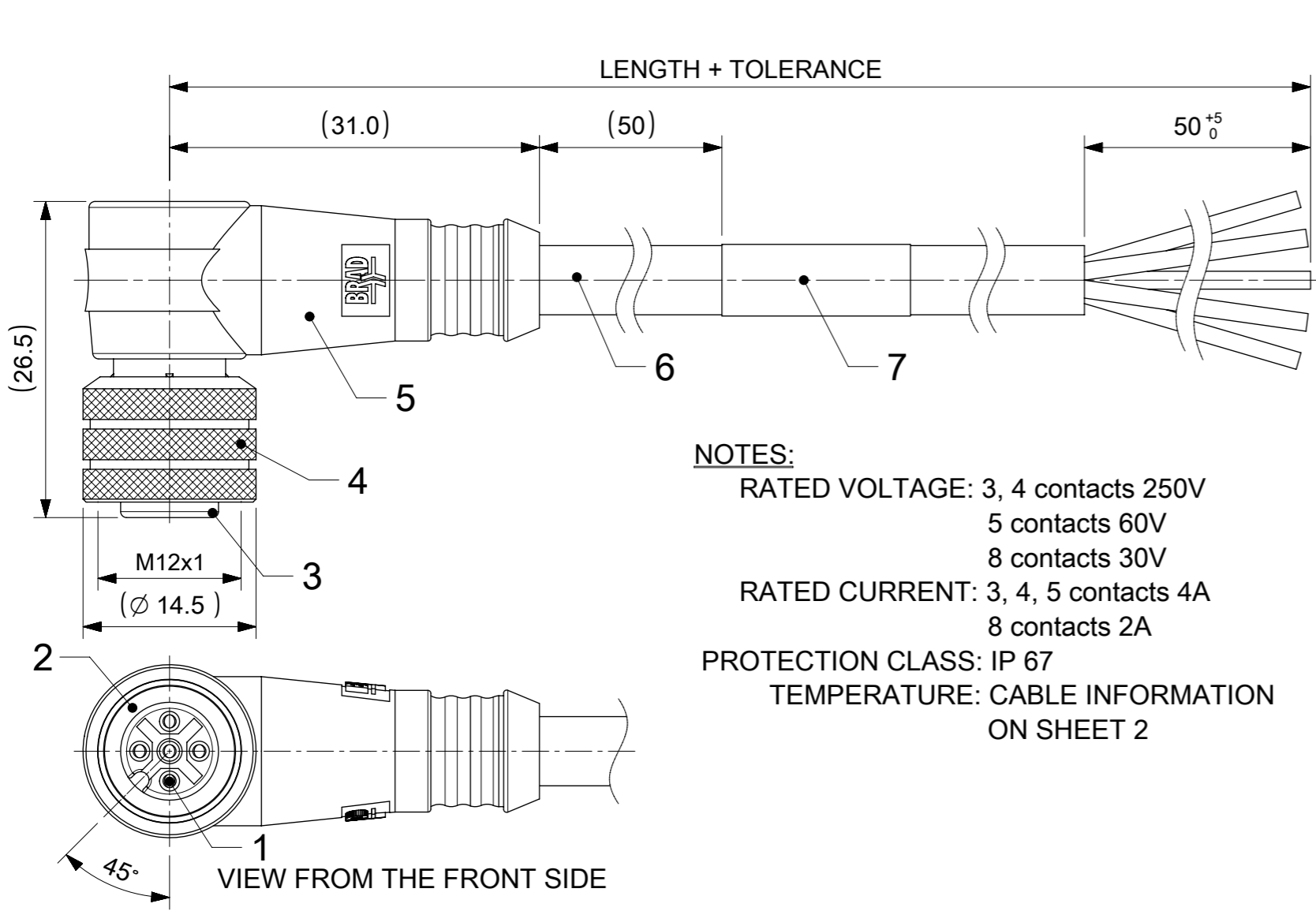
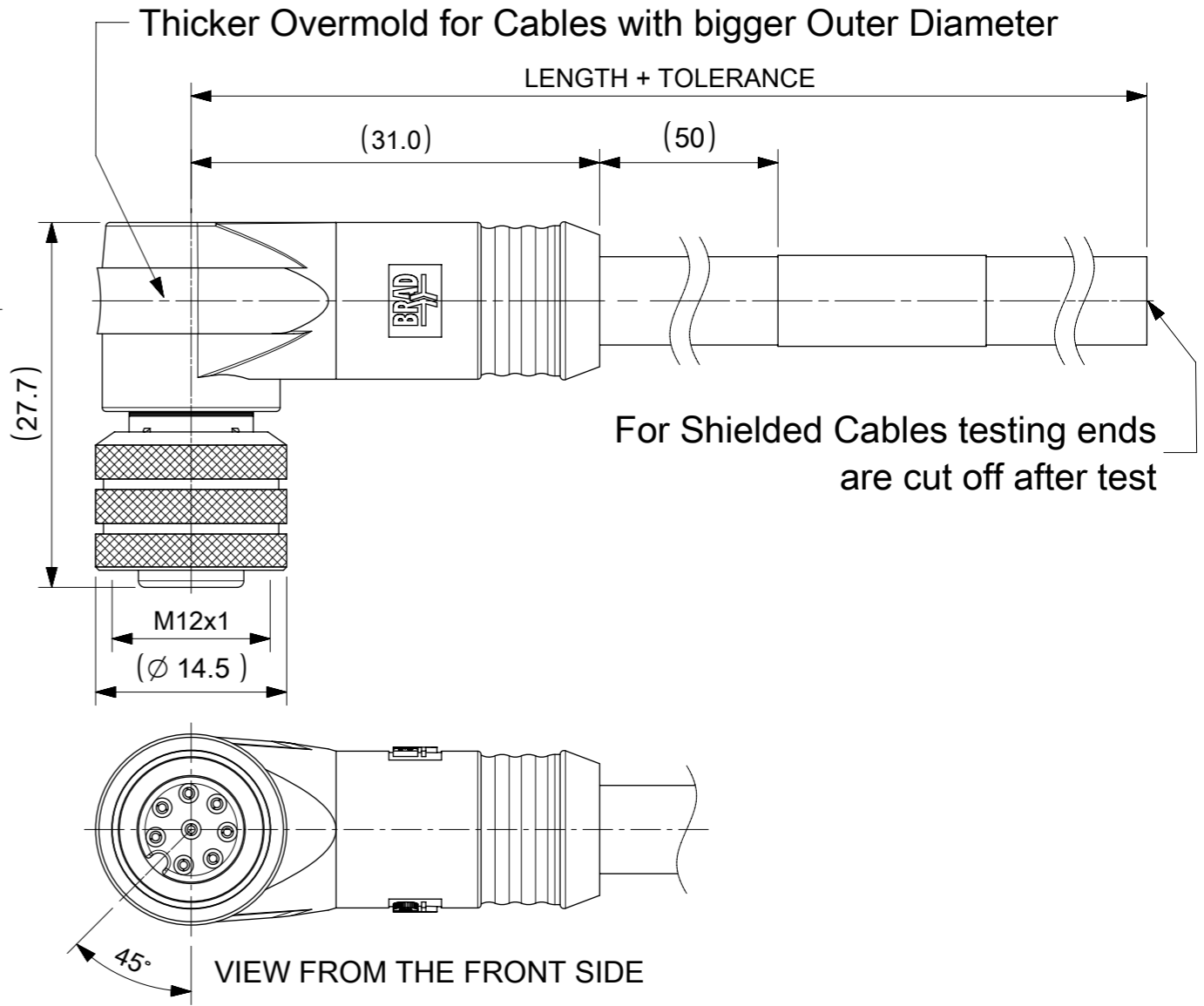


FEMALE PLUG M12 90° ANGLED



NOTES:
 RATED VOLTAGE: 3, 4 contacts 250V
 5 contacts 60V
 8 contacts 30V
 RATED CURRENT: 3, 4, 5 contacts 4A
 8 contacts 2A
 PROTECTION CLASS: IP 67
 TEMPERATURE: CABLE INFORMATION ON SHEET 2



C CONTACTS POSITION FRONT VIEW:

| 3 CONTACTS | | 4 CONTACTS | | 5 CONTACTS | | 8 CONTACTS | |
|------------|-----------------------|------------|-------|------------|----------------------|------------|--------|
| | | | | | | | |
| PIN | WIRE | PIN | WIRE | PIN | WIRE | PIN | WIRE |
| 1 | BROWN | 1 | BROWN | 1 | BROWN | 1 | WHITE |
| 2 | --- | 2 | WHITE | 2 | WHITE | 2 | BROWN |
| 3 | BLUE | 3 | BLUE | 3 | BLUE | 3 | GREEN |
| 4 | BLACK or YELLOW/GREEN | 4 | BLACK | 4 | BLACK | 4 | YELLOW |
| 5 | --- | 5 | --- | 5 | GREY or YELLOW/GREEN | 5 | GREY |
| | | | | | | 6 | PINK |
| | | | | | | 7 | BLUE |
| | | | | | | 8 | RED |

FOR OPTIONS SEE - NUMERICAL CODE - ON SHEET 2

| ITEM | QTY. | DESCRIPTION | MATERIAL | FINISH |
|------|---------------|-------------------------|-------------|----------------------|
| 7 | 1 | LABEL YELLOW | VINYL | --- |
| | - | PRINTING FOR CABLES lxx | --- | --- |
| 6 | - | CABLE | SEE SHEET 2 | --- |
| 5 | - | OVERMOLDING BLACK | TPU | --- |
| 4 | 1 | COUPLING NUT FEMALE | BRASS | NICKEL |
| 3 | 1 | INSERT FEMALE BLACK | PUR | --- |
| 2 | 1 | ORING RED | FPM | --- |
| 1 | 3 / 4 / 5 / 8 | CONTACT M12 FEMALE | BRASS | SELECTIVE Au OVER Ni |

THIS DRAWING CONTAINS INFORMATION THAT IS PROPRIETARY TO MOLEX ELECTRONIC TECHNOLOGIES, LLC AND SHOULD NOT BE USED WITHOUT WRITTEN PERMISSION

DIMENSION UNITS: mm SCALE: 2:1

GENERAL TOLERANCES (UNLESS SPECIFIED):
 ANGULAR TOL ± 1.0°
 4 PLACES ±
 3 PLACES ±
 2 PLACES ± 0.05
 1 PLACE ± 0.1
 0 PLACES ± 0.2

EC NO: 726454
 DRWN: LIKITV 2022/09/27
 CHK'D: GGA 2022/11/30
 APPR: GGA 2022/11/30

INITIAL REVISION:
 DRWN: JMARSZALEK 2016/01/11
 APPR: RSILLER 2016/04/08

THIRD ANGLE PROJECTION

DRAFT WHERE APPLICABLE MUST REMAIN WITHIN DIMENSIONS

DOCUMENT NUMBER: 1200658471
 DOC TYPE: PSD
 DOC PART: 000
 REVISION: A12

CUSTOMER: GENERAL MARKET

SHEET NUMBER: 1 OF 5

CODING REQUIRED TO IEC 61076-2-101

| | | | | |
|-----------------|----|--------------|------------|----------|
| DOCUMENT STATUS | P1 | RELEASE DATE | 2022/11/30 | 11:33:43 |
|-----------------|----|--------------|------------|----------|

ENGINEERING NO. - NUMERICAL CODE (Available parts see PART LIST table. Others on request).

8 0 X 0 0 1 X X X X X X X X

80=M12x1 Single ended

Contacts:
3=3 Contacts
4=4 Contacts
5=5 Contacts
8=8 Contacts

Heads style:
001=Plug Female
90° Angled

Cable type: See Table

Units:
M=Meter
C=Centimeter

Length Examples:
005=0.5 unit
010=1 unit
100=10 units

Overmold color:
Blank (Standard)=Black TPU
Blank=Yellow TPU for cables A09,S19,S20,S26
Blank=Yellow TPE-E for cables K03,K05
A=Grey / G=Black / Y=Yellow
Blank=Yellow PVC for cable E13
Coupling Nut:
Blank (Standard) & 3=Knurled Brass Ni Plated
1=Hexagonal Stainless steel
5=Knurled Derlin
7=Knurled Brass Ni Plated, Teflon Coated
Blank=7 for cables I20, I26, K03, K05, P82, S26
9=Knurled / Hexagonal Brass Ni Plated SW13

OPTIONS

H= 2 pcs. of I/D Carrier
PVC Transparent
(Cables Ixx & P82 always with 2 pcs. of I/D Carrier even if no H in Engineering No.)

COUPLING NUTS



CABLE INFORMATION (for more information see Cable Data Sheet).

| CABLE TYPE | NO. OF WIRES | CROSS SECTION | CABLE JACKET | UL | CSA | STATIC: TEMP. / BENDING RADIUS | DYNAMIC: TEMP. / BENDING RADIUS | DRAG CHAIN | SHIELD |
|------------|---------------|---------------------|-----------------|-----------------------|--------------------------|--------------------------------|---------------------------------|---|--------|
| A09 | 3 / 4 / 5 | 0.34mm ² | PVC YELLOW | UL 2661 | I/II A/B 90°C/300V | - | - | - | - |
| E13 | 3 | 18AWG | PVC YELLOW | UL 2661/1731 | I/II A/B 80°C/300V | - | - | - | - |
| E02 | 3 / 4 / 5 / 8 | 0.25mm ² | PVC BLACK | UL 2464/1729 | C22.2 I/II A/B 80°C/300V | -30°C to +80°C, 10xO.D. | -10°C to +80°C, 15xO.D. | - | - |
| E03 | 3 / 4 / 5 | 0.34mm ² | PVC BLACK | UL 2464/1729 | C22.2 I/II A/B 80°C/300V | -30°C to +80°C, 10xO.D. | -10°C to +80°C, 15xO.D. | - | - |
| E52 | 3 / 4 / 8 | 0.34mm ² | PVC GREY | - | - | -30°C to +70°C | -5°C to +70°C | - | - |
| H08 | 3 / 4 / 5 / 8 | 0.25mm ² | PUR BLACK LS0H | UL 21198/10493 | C22.2 I/II A/B 80°C/300V | -40°C to +80°C, 5xO.D. | -25°C to +80°C, 10xO.D. | 2 000 000 cycles at 20°C, Temp. range +5°C to +60°C | - |
| H09 | 3 / 4 / 5 | 0.34mm ² | PUR BLACK LS0H | UL 21198/10493 | C22.2 I/II A/B 80°C/300V | -40°C to +80°C, 5xO.D. | -25°C to +80°C, 10xO.D. | 2 000 000 cycles at 20°C, Temp. range +5°C to +60°C | - |
| H12 | 4 | 0.50mm ² | PUR BLACK LS0H | UL 21198/10493 | C22.2 I/II A/B 80°C/300V | -50°C to +80°C, 5xO.D. | -25°C to +80°C, 10xO.D. | 2 000 000, Temp max 60°C | - |
| H69 | 4 | 0.20mm ² | PUR GREY LS0H | - | - | - | - | - | - |
| I02 | 3 / 4 / 8 | 0.25mm ² | PVC CEI GREY | - | - | -30°C to +70°C | -5°C to +70°C | - | - |
| I03 | 3 / 4 / 5 | 0.34mm ² | PVC CEI GREY | - | - | -30°C to +70°C | -5°C to +70°C | - | - |
| I04 | 4 | 0.50mm ² | PVC CEI GREY | - | - | -25°C to +70°C | -5°C to +70°C | - | - |
| I20 | 3 / 4 | 0.34mm ² | PVC CEI GREY | - | - | -30°C to +70°C | -5°C to +70°C | - | YES |
| I26 | 5 | 0.34mm ² | PVC CEI GREY | - | - | -30°C to +70°C | -5°C to +70°C | - | - |
| K03 | 5 | 18 AMG | TPE YELLOW | PLTC 105C E470965 | I/II A/B 90°C/300V | - | - | - | - |
| K05 | 3 / 4 / 5 | 0.34mm ² | TPE YELLOW | UL ITC E195601 or PLC | I/II A/B 90°C/300V | - | - | - | - |
| P02 | 3 / 4 / 5 / 8 | 0.25mm ² | PUR / PVC BLACK | - | - | -30°C to +80°C, 7xO.D. | -5°C to +80°C, 15xO.D. | - | - |
| P03 | 3 / 4 / 5 | 0.34mm ² | PUR / PVC BLACK | - | - | -30°C to +80°C, 7xO.D. | -5°C to +80°C, 15xO.D. | - | - |
| P12 | 3 / 5 | 0.50mm ² | PUR BLACK | - | - | -30°C to +90°C | -5°C to +90°C | - | - |
| P19 | 8 | 0.25mm ² | PUR BLACK | - | - | -40°C to +90°C, 7.5xO.D. | -15°C to +90°C, 12.5xO.D. | 2 000 000 cycles, 15xO.D. | YES |
| P20 | 3 / 4 / 5 | 0.34mm ² | PUR BLACK LS0H | - | - | -30°C to +80°C | - | - | YES |
| P82 | 3 / 4 / 5 | 0.34mm ² | PUR IRR ORANGE | - | - | -50°C to +105°C, 5xO.D. | -40°C to +105°C, 7.5xO.D. | - | - |
| S19 | 8 | 0.25mm ² | PVC YELLOW | UL 2661/1569 | C22.2 II A 105°C/300V | -30°C to +105°C, 10xO.D. | -15°C to +105°C, 15xO.D. | - | YES |
| S20 | 3 / 4 / 5 | 0.34mm ² | PVC YELLOW | UL 2661/1731 | C22.2 II A 105°C/300V | -30°C to +105°C | - | - | YES |
| S26 | 5 | 0.34mm ² | PVC YELLOW | UL 2661/1731 | C22.2 II A 105°C/300V | -30°C to +105°C | - | - | YES |



SCALE 1:1

CABLE LENGTH TOLERANCES

| OVER | UP TO AND INCLUDING | TOLERANCES |
|---------|---------------------|------------------------|
| 0 | 305mm | +19mm |
| 305mm | 915mm | +45mm |
| 915mm | 1830mm | +56mm |
| 1830mm | 3660mm | +89mm |
| 3660mm | 7320mm | +165mm |
| 7320mm | 14640mm | +317mm |
| 14640mm | 30500mm | +610mm |
| 30500mm | > | +2% of finished length |


THIS DRAWING CONTAINS INFORMATION THAT IS PROPRIETARY TO MOLEX ELECTRONIC TECHNOLOGIES, LLC AND SHOULD NOT BE USED WITHOUT WRITTEN PERMISSION

| | | | | | |
|--|--------|--|--------------------------------|----------------|----------|
| DIMENSION UNITS | SCALE | CURRENT REV DESC: OBSOLETE PART NUMBERS AS PER PCN#510807. | molex | | |
| mm | 1:1 | | | | |
| GENERAL TOLERANCES (UNLESS SPECIFIED) | | | CSE M12 XP AC FE RA XM SE UNSH | | |
| ANGULAR TOL | ± 1.0° | | PRODUCT CUSTOMER DRAWING | | |
| 4 PLACES | ± | EC NO: 726454 | DOCUMENT NUMBER | | |
| 3 PLACES | ± | DRWN: LIKITV | 1200658471 | DOC TYPE | DOC PART |
| 2 PLACES | ± 0.05 | CHK'D: GGA | PSD | 000 | A12 |
| 1 PLACE | ± 0.1 | APPR: GGA | REVISION | | |
| 0 PLACES | ± 0.2 | INITIAL REVISION: | SHEET NUMBER | | |
| DRAFT WHERE APPLICABLE MUST REMAIN WITHIN DIMENSIONS | | | 2016/01/11 | 2 OF 5 | |
| THIRD ANGLE PROJECTION | | | MATERIAL NUMBER | CUSTOMER | |
| DRAWING | | | SEE PART LIST | GENERAL MARKET | |
| SERIES | | | 120065 | | |

PART LIST

| No. | Part No. | Engineering No. | Cable Length |
|-----|------------|-----------------|--------------|
| 281 | 1200651949 | 804001A09M0602 | 6m |
| 282 | 1200651983 | 805001A09M030 | 3m |
| 283 | 1200651985 | 803001A09M0202 | 2m |
| 284 | 1200652078 | 804001A09M0302 | 3m |
| 285 | 1200652079 | 805001A09M300 | 30m |
| 286 | 1200652111 | 805001A09M150 | 15m |
| 287 | 1200652122 | 805001A09M0502 | 5m |
| 288 | 1200652170 | 804001A09C2508 | 0.25m |
| 289 | 1200652197 | 805001A09M1508 | 15m |
| 290 | 1200652216 | 804001A09M0708 | 7m |
| 291 | 1200652419 | 804001A09M2008 | 20m |
| 292 | 1200652439 | 804001A09M0108 | 1m |
| 293 | 1200659215 | 805001A09M010 | 1m |
| 294 | 1200659216 | 805001A09M200 | 20m |
| 295 | 1202010010 | 804001A09M250 | 25m |
| 296 | 1200060221 | 803001S20M020 | 2m |
| 297 | 1200060222 | 803001S20M030 | 3m |
| 298 | 1200060224 | 803001S20M050 | 5m |
| 299 | 1200659374 | 804001S20M350 | 35m |
| 300 | 1200659774 | 808001S19M150 | 15m |
| 301 | 1200659810 | 805001S26M200 | 20m |
| 302 | 1200060225 | 803001S20M100 | 10m |
| 303 | 1200060527 | 804001S20M010 | 1m |
| 304 | 1200060528 | 804001S20M020 | 2m |
| 305 | 1200060529 | 804001S20M030 | 3m |
| 306 | 1200060531 | 804001S20M050 | 5m |
| 307 | 1200061612 | 804001S20M030H | 3m |
| 308 | 1200062121 | 804001S20M060 | 6m |
| 309 | 1200062148 | 804001I20M160 | 16m |
| 310 | 1200062160 | 804001S20M100H | 10m |
| 311 | 1200062374 | 804001S20M020H | 2m |
| 312 | 1200062502 | 804001S20M050H | 5m |
| 313 | 1200062589 | 804001S20M010H | 1m |
| 314 | 1200062919 | 804001P20M100 | 10m |
| 315 | 1200062922 | 804001P20M050 | 5m |

| No. | Part No. | Engineering No. | Cable Length |
|-----|------------|-----------------|--------------|
| 316 | 1200063109 | 804001S20M1001 | 10m |
| 317 | 1200063165 | 805001P20M050 | 5m |
| 318 | 1200064184 | 804001P20M250 | 25m |
| 319 | 1200064268 | 808001S19M100 | 10m |
| 320 | 1200064380 | 804001S20M0201 | 2m |
| 321 | 1200064381 | 804001S20M0501 | 5m |
| 322 | 1200064452 | 804001S20M3001 | 30m |
| 323 | 1200064457 | 803001S20M0501 | 5m |
| 324 | 1200650910 | 804001S20M100 | 10m |
| 325 | 1200655008 | 808001P19M050 | 5m |
| 326 | 1200658090 | 805001S26M100 | 10m |
| 327 | 1200658187 | 804001S20M200 | 20m |
| 328 | 1200658203 | 805001S26M1001 | 10m |
| 329 | 1200658276 | 804001I20M100 | 10m |
| 330 | 1200658287 | 803001I20M100 | 10m |
| 331 | 1200658324 | 804001P20M030 | 3m |
| 332 | 1200658328 | 808001P19M100 | 10m |
| 333 | 1200658510 | 804001S20M2001 | 20m |
| 334 | 1200658544 | 808001P19M250 | 25m |
| 335 | 1200658547 | 803001P20M150 | 15m |
| 336 | 1200658875 | 803001S20M0201G | 2m |
| 337 | 1200659029 | 804001S20M150 | 15m |
| 338 | 1200659114 | 805001S26M050 | 5m |
| 339 | 1200659156 | 805001S26M2001 | 20m |
| 340 | 1200659240 | 803001P20M100HY | 10m |
| 341 | 1200657238 | 805001E03M250 | 25m |
| 342 | 1200657145 | 804001P03M006 | 0.6m |
| 343 | 1200657146 | 804001P03M070 | 7m |
| 344 | 1200657147 | 804001P03M080 | 8m |
| 345 | 1200657148 | 804001E03M003 | 0.3m |
| 346 | 1200657149 | 804001E03M006 | 0.6m |
| 347 | 1200657150 | 804001E03M080 | 8m |
| 348 | 1200657185 | 805001E03M015 | 1.5m |
| 349 | 1200658573 | 805001E03M010 | 1m |
| 350 | 1200657265 | 805001H09M500 | 50m |

| | | | | | | | | | | |
|---|---------------------|--|---------|--------|---|--|----------------|----------|----------|--------------|
| THIS DRAWING CONTAINS INFORMATION THAT IS PROPRIETARY TO MOLEX ELECTRONIC TECHNOLOGIES, LLC AND SHOULD NOT BE USED WITHOUT WRITTEN PERMISSION | | | | | | | | | | |
| DIMENSION UNITS mm | SCALE 1:1 | CURRENT REV DESC: OBSOLETE PART NUMBERS AS PER PCN#510807. | | |  | | | | | |
| GENERAL TOLERANCES (UNLESS SPECIFIED) | | EC NO: 726454 | | | | | | | | |
| ANGULAR TOL | ± 1.0 ° | DRWN: LIKITV 2022/09/27 | | | CSE M12 XP AC FE RA XM SE UNSH | | | | | |
| 4 PLACES | ± | CHK'D: GGA 2022/11/30 | | | PRODUCT CUSTOMER DRAWING | | | | | |
| 3 PLACES | ± | APPR: GGA 2022/11/30 | | | DOCUMENT NUMBER | | | | | |
| 2 PLACES | ± 0.05 | INITIAL REVISION: | | | 1200658471 | | | DOC TYPE | DOC PART | REVISION |
| 1 PLACE | ± 0.1 | DRWN: JMARSZALEK 2016/01/11 | | | PSD | | | 000 | A12 | |
| 0 PLACES | ± 0.2 | APPR: RSILLER 2016/04/08 | | | MATERIAL NUMBER | | | CUSTOMER | | SHEET NUMBER |
| DRAFT WHERE APPLICABLE MUST REMAIN WITHIN DIMENSIONS | | THIRD ANGLE PROJECTION | DRAWING | SERIES | SEE PART LIST | | GENERAL MARKET | | 5 OF 5 | |

| | | | | |
|-----------------|----|--------------|------------|----------|
| DOCUMENT STATUS | P1 | RELEASE DATE | 2022/11/30 | 11:33:43 |
|-----------------|----|--------------|------------|----------|