

4

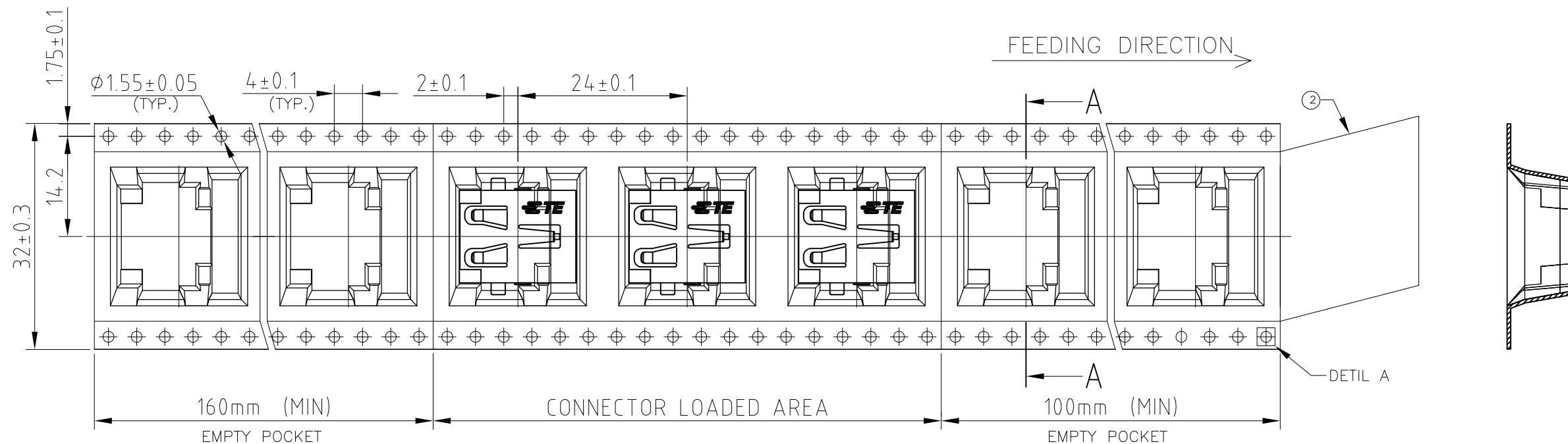
3

2

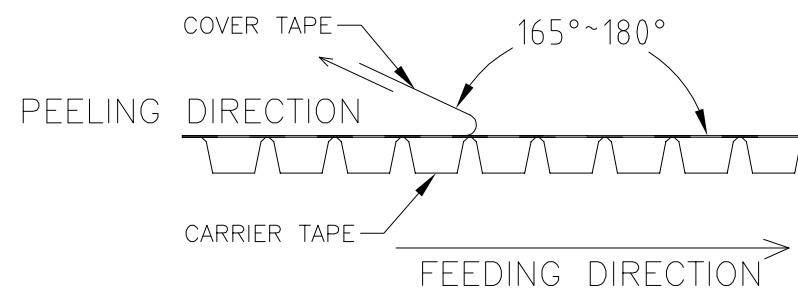
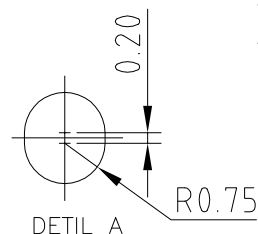
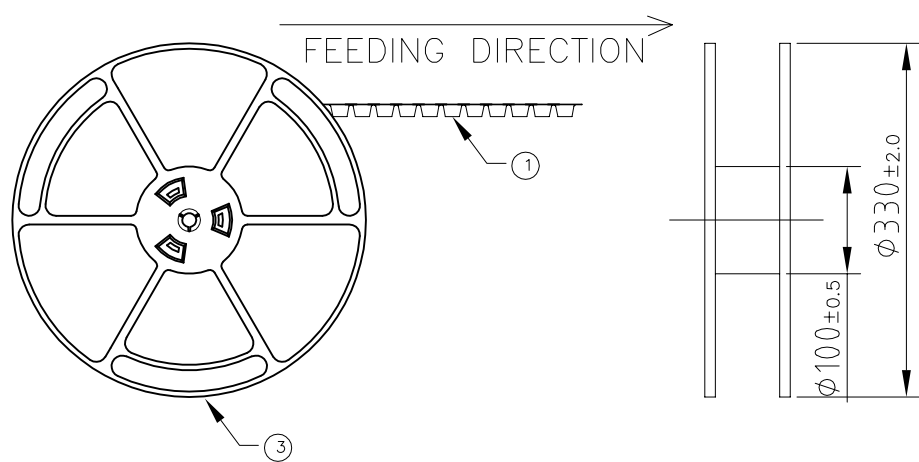
1

THIS DRAWING IS UNPUBLISHED. RELEASED FOR PUBLICATION  
 © COPYRIGHT 2003 BY TYCO ELECTRONICS CORPORATION. ALL INTERNATIONAL RIGHTS RESERVED.

LOC	DIST	REVISIONS			
P	LTR	DESCRIPTION	DATE	DWN	APVD
J	-	A	RELEASE	07JUN11	TQ SY



- NOTES :
- 10 POCKETS HOLE PITCH CUMULATIVE TOLERANCE  $\pm 0.2\text{mm}$  .
  - NUMBER OF CONNECTORS : 230 PCS/REEL .
  - COVER TAPE PEELING STRENGTH : 0.1 ~1.3N . AT 300mm/min .

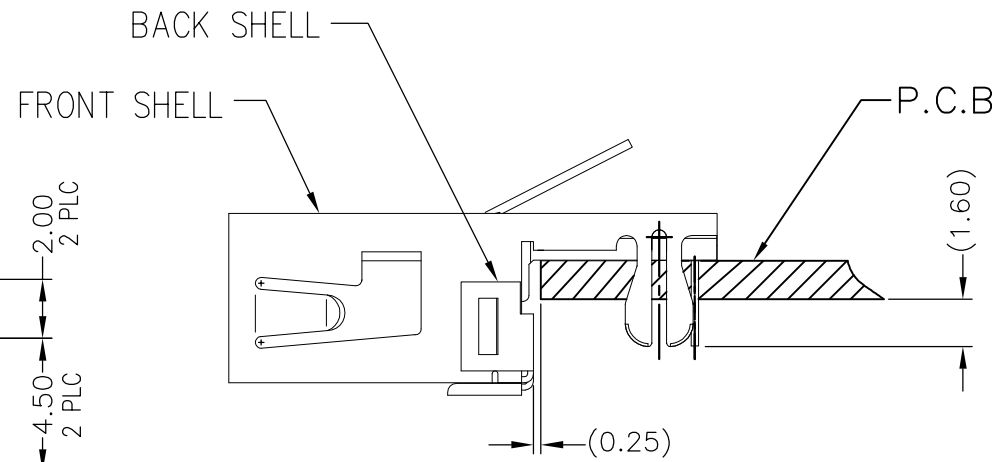
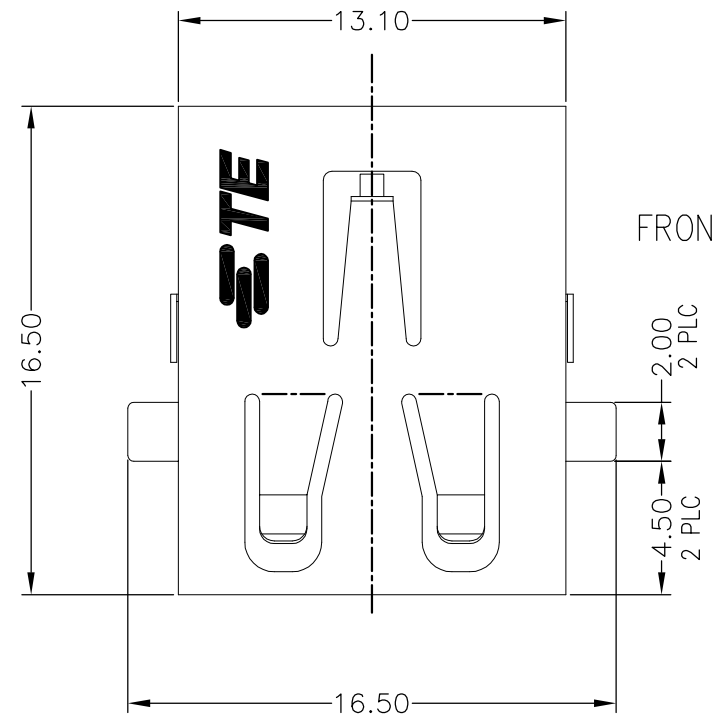


BLACK	1932733-1
COLOR	PARTS No.

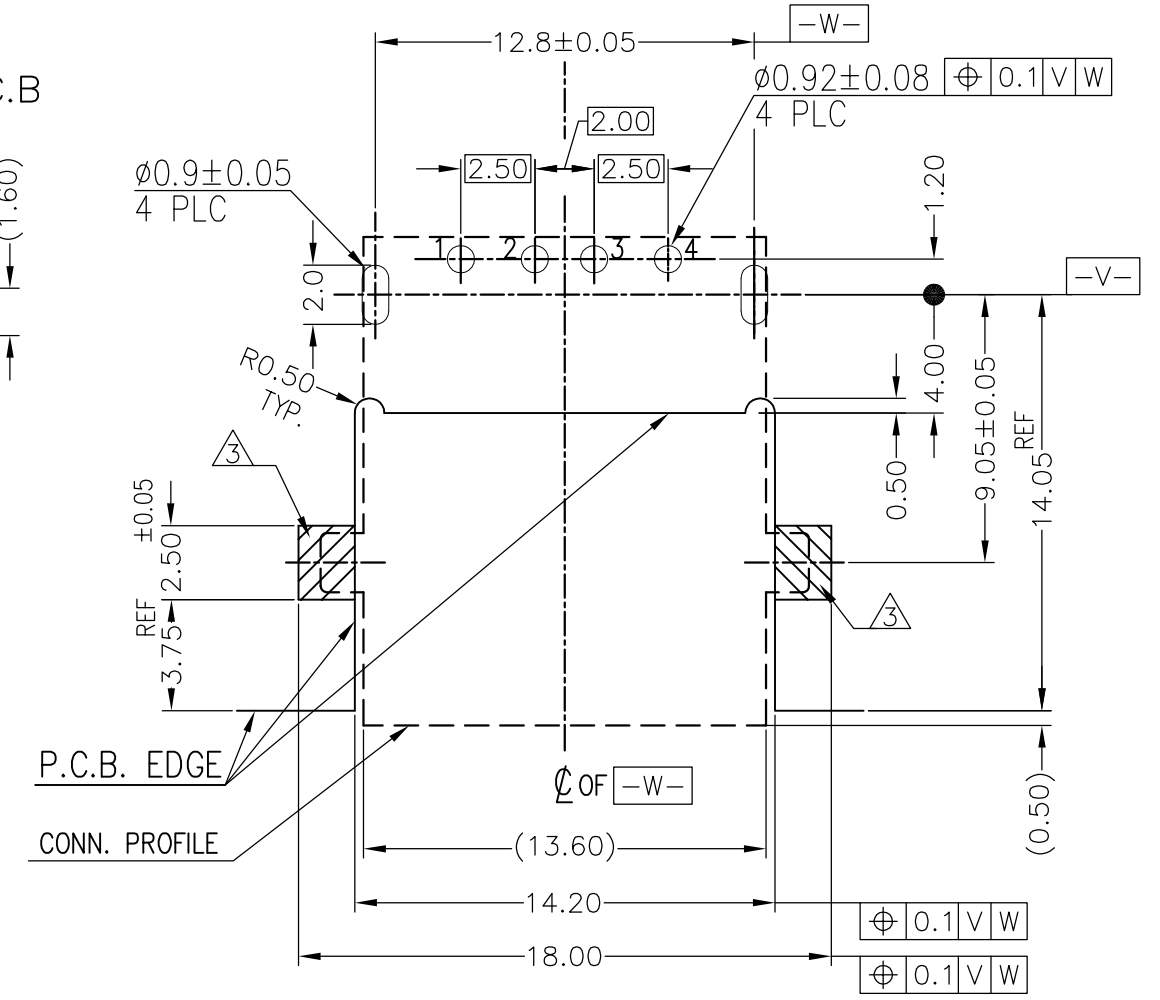
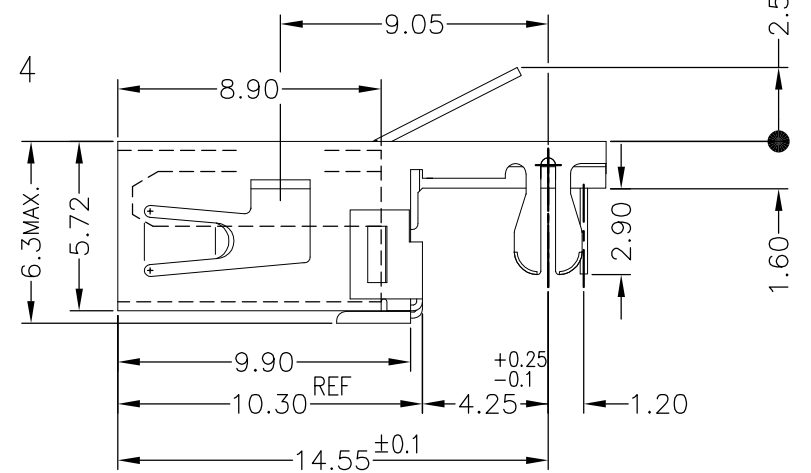
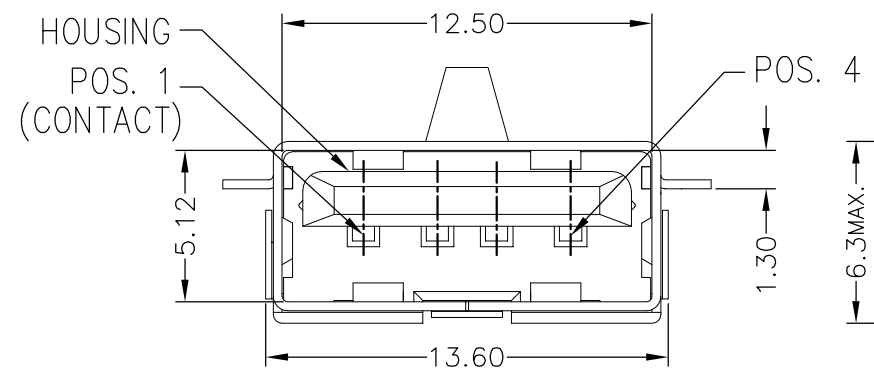
THIS DRAWING IS A CONTROLLED DOCUMENT.		DWN Tommy Qian 07JUN11			USB CONNECTOR RECEPTACLE DIP AND OFFSET TYPE	
DIMENSIONS: mm		CHK Martin Li 07JUN11				
TOLERANCES UNLESS OTHERWISE SPECIFIED:		APVD Steven Yao 07JUN11	NAME		RESTRICTED TO	
0 PLC $\pm 0.3$ 1 PLC $\pm$ 2 PLC $\pm 0.3$ 3 PLC $\pm$ 4 PLC $\pm$ ANGLES $\pm 3^\circ$		PRODUCT SPEC 108-5983	SIZE A3		CAGE CODE 00779	DRAWING NO C=1932733
MATERIAL 1		FINISH 2	WEIGHT		SCALE 6:1	
		CUSTOMER DRAWING		SHEET 1 of 2		REV A

THIS DRAWING IS UNPUBLISHED. RELEASED FOR PUBLICATION  
 © COPYRIGHT 2003 BY TYCO ELECTRONICS CORPORATION. ALL INTERNATIONAL RIGHTS RESERVED.

LOC		DIST		REVISIONS			
P	LTR	DESCRIPTION		DATE	DWN	APVD	
J		-		SEE SHEET 1	-	-	



REFERENCE P.C.B LAYOUT  
(SIDE VIEW, 1.3mm THK)



REFERENCE P.C.B LAYOUT  
(TOP VIEW, 1.1~1.3mm PWB THK)

- 1 MATERIAL  
HOUSING: HIGH TEMPERATURE THERMOPLASTIC, BLACK, HALOGEN FREE, UL 94V-0  
CONTACT: COPPER ALLOY  
FRONT SHELL: COPPER ALLOY  
BACK SHELL: COPPER ALLOY
- 2 FINISH  
CONTACT: NICKEL UNDER PLATE ALL OVER.  
CONTACT AREA: GOLD PLATING  
TINE AREA: Tin PLATING  
FRONT SHELL: Tin PLATING, Ni UNDER PLATING  
BACK SHELL: Ni PLATING
- 3 NO COMPONENT AREA.

THIS DRAWING IS A CONTROLLED DOCUMENT.		DWN Tommy Qian 07JUN11	<b>TE</b> TE Connectivity
		CHK Martin Li 07JUN11	
DIMENSIONS: mm		APVD Steven Yao 07JUN11	NAME
TOLERANCES UNLESS OTHERWISE SPECIFIED:		PRODUCT SPEC	USB CONNECTOR RECEPTACLE DIP AND OFFSET TYPE
0 PLC ±		108-5983	SIZE
1 PLC ±0.3		APPLICATION SPEC	CAGE CODE
2 PLC ±0.3		WEIGHT	DRAWING NO
3 PLC ±		CUSTOMER DRAWING	RESTRICTED TO
4 PLC ±			A3 00779 C-1932733
ANGLES ±3'			SCALE 4:1
MATERIAL 1			SHEET 2 OF 2
FINISH 2			REV A