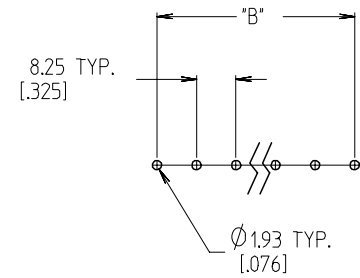
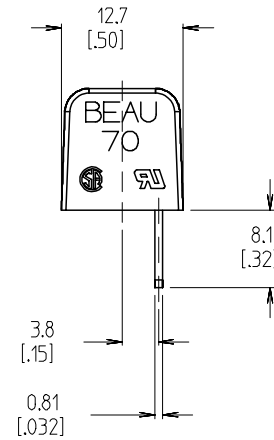
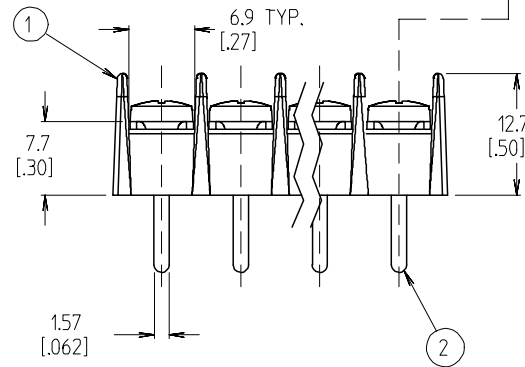
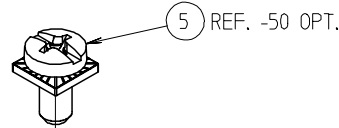


4 CIRCUIT SHOWN



PTH PATTERN SCALE 1:1

NOTES:

1. MATERIAL: SEE TABLE
2. FINISH: SEE TABLE
3. "XX" REFERS TO THE QUANTITY OF CIRCUITS.
4. INCH DIMS ARE SHOWN IN BRACKETS [XXX].
5. ALL COMPONENTS ARE ROHS COMPLIANT.

| ITEM | QTY. | DESCRIPTION | MATERIAL | FINISH |
|------|------|---|----------|--------------------|
| 5 | "XX" | SCREW, #6-32X.250, PAN, PH-SL, W/WASHER (-50 OPT) | STEEL | ZN, CLEAR CHROMATE |
| 4 | "XX" | SCREW, #6-32X.250, PAN, PH-SL (-49 OPT) | BRASS | NICKEL PLATE |
| 3 | "XX" | SCREW, #6-32X.250, PAN, PH-SL | STEEL | ZN, CLEAR CHROMATE |
| 2 | "XX" | TERMINAL, WW, #6-32 | BRASS | TIN PLATE |
| 1 | 1 | INSULATOR, SR, MOLDED MTG. | PBT, GF | BLACK |

| | | | | |
|-----------------|---------------------|------------------------|--------------------------|--------------------------|
| INITIAL RELEASE | EC NO: ETC2006-0405 | DRWN: CYORK 2006/05/04 | CHKD: RDEROSS 2006/05/06 | APPR: RDEROSS 2006/05/08 |
| REV | A | DESCRIPTION | | |

| | |
|-----------------|---------------|
| QUALITY SYMBOLS | = 0 = 0.05 |
|-----------------|---------------|

| GENERAL TOLERANCES (UNLESS SPECIFIED) | |
|--|--------|
| | MM |
| 4 PLACES | ± 0.13 |
| 3 PLACES | ± 0.10 |
| 2 PLACES | ± 0.07 |
| 1 PLACE | ± 0.05 |
| ANGULAR ± 2 ° | |
| DRAFT WHERE APPLICABLE MUST REMAIN WITHIN DIMENSIONS | |

| DIMENSION STYLE | |
|-----------------|------------|
| MM/IN | |
| DRAWN BY | DATE |
| C. YORK | 2006/04/27 |
| CHECKED BY | DATE |
| R. DEROSS | 2006/04/27 |
| APPROVED BY | DATE |
| R. DEROSS | 2006/04/27 |
| MATERIAL NO. | |
| SEE SHT. 2 | |

| | | |
|--------------------------------------|--------------|------------------------|
| SCALE | DESIGN UNITS | THIRD ANGLE PROJECTION |
| 2:1 | INCH | |
| TITLE | | |
| 8.26MM [.325] SR BTS WW ASSY, NO MTG | | |
| MATERIAL NO. | | |
| SEE SHT. 2 | | |
| DOCUMENT NO. | | |
| SD-38701-002 | | |
| SHEET NO. | | |
| 1 OF 2 | | |

| # OF CIRCUITS "XX" | DIM. "A" | | DIM. "B" | | ASSEMBLY MATERIAL NO. (-C OPT) | ASSEMBLY MATERIAL NO. (-C-49 OPT) | ASSEMBLY MATERIAL NO. (-C-50 OPT) |
|--------------------|----------|------|----------|-------|--------------------------------|-----------------------------------|-----------------------------------|
| | mm | in | mm | in | | | |
| 02 | 18.4 | 0.73 | 8.26 | 0.325 | 387012302 | 387012902 | 387013502 |
| 03 | 26.7 | 1.05 | 16.51 | 0.650 | 387012303 | 387012903 | 387013503 |
| 04 | 34.9 | 1.38 | 24.77 | 0.975 | 387012304 | 387012904 | 387013504 |
| 05 | 43.2 | 1.70 | 33.02 | 1.300 | 387012305 | 387012905 | 387013505 |
| 06 | 51.4 | 2.03 | 41.28 | 1.625 | 387012306 | 387012906 | 387013506 |
| 07 | 59.7 | 2.35 | 49.53 | 1.950 | 387012307 | 387012907 | 387013507 |
| 08 | 67.9 | 2.68 | 57.79 | 2.275 | 387012308 | 387012908 | 387013508 |
| 09 | 76.2 | 3.00 | 66.04 | 2.600 | 387012309 | 387012909 | 387013509 |
| 10 | 84.5 | 3.33 | 74.30 | 2.925 | 387012310 | 387012910 | 387013510 |
| 11 | 92.7 | 3.65 | 82.55 | 3.250 | 387012311 | 387012911 | 387013511 |
| 12 | 101.0 | 3.98 | 90.81 | 3.575 | 387012312 | 387012912 | 387013512 |
| 13 | 109.2 | 4.30 | 99.06 | 3.900 | 387012313 | 387012913 | 387013513 |
| 14 | 117.5 | 4.63 | 107.32 | 4.225 | 387012314 | 387012914 | 387013514 |
| 15 | 125.7 | 4.95 | 115.57 | 4.550 | 387012315 | 387012915 | 387013515 |
| 16 | 134.0 | 5.28 | 123.83 | 4.875 | 387012316 | 387012916 | 387013516 |
| 17 | 142.2 | 5.60 | 132.08 | 5.200 | 387012317 | 387012917 | 387013517 |
| 18 | 150.5 | 5.93 | 140.34 | 5.525 | 387012318 | 387012918 | 387013518 |
| 19 | 158.8 | 6.25 | 148.59 | 5.850 | 387012319 | 387012919 | 387013519 |
| 20 | 167.0 | 6.58 | 156.85 | 6.175 | 387012320 | 387012920 | 387013520 |
| 21 | 175.3 | 6.90 | 165.10 | 6.500 | 387012321 | 387012921 | 387013521 |
| 22 | 183.5 | 7.23 | 173.36 | 6.825 | 387012322 | 387012922 | 387013522 |
| 23 | 191.8 | 7.55 | 181.61 | 7.150 | 387012323 | 387012923 | 387013523 |
| 24 | 200.0 | 7.88 | 189.87 | 7.475 | 387012324 | 387012924 | 387013524 |
| 25 | 208.3 | 8.20 | 198.12 | 7.800 | 387012325 | 387012925 | 387013525 |
| 26 | 216.5 | 8.53 | 206.38 | 8.125 | 387012326 | 387012926 | 387013526 |
| 27 | 224.8 | 8.85 | 214.63 | 8.450 | 387012327 | 387012927 | 387013527 |
| 28 | 233.0 | 9.18 | 222.89 | 8.775 | 387012328 | 387012928 | 387013528 |
| 29 | 241.3 | 9.50 | 231.14 | 9.100 | 387012329 | 387012929 | 387013529 |
| 30 | 249.6 | 9.83 | 239.40 | 9.425 | 387012330 | 387012930 | 387013530 |

| | | | | | | | | | |
|--|-------------------------------|--|--|--|--|---|--------------|------------------------|--|
| SEE SHEET 1 EC NO: ETC2006-0405 DRWN: CYORK 2006/05/04 CHKD: RDEROSS 2006/05/06 APPR: RDEROSS 2006/05/08 | QUALITY SYMBOLS ▽=0 ▽=0 | GENERAL TOLERANCES (UNLESS SPECIFIED) | | DIMENSION STYLE | | SCALE | DESIGN UNITS | THIRD ANGLE PROJECTION | |
| | | | | MM/IN | | 2:1 | INCH | | |
| | | | | DRAWN BY DATE | | TITLE | | | |
| | | | | CHECKED BY DATE | | 8.26MM [.325] SR BTS WW ASSY, NO MTG | | | |
| | | APPROVED BY DATE | | MATERIAL NO. | | DOCUMENT NO. | | SHEET NO. | |
| | | ANGULAR ± 2 ° | | SEE CHART | | SD-38701-002 | | | |
| | | DRAFT WHERE APPLICABLE MUST REMAIN WITHIN DIMENSIONS | | THIS DRAWING CONTAINS INFORMATION THAT IS PROPRIETARY TO MOLEX INCORPORATED AND SHOULD NOT BE USED WITHOUT WRITTEN PERMISSION | | | | | |