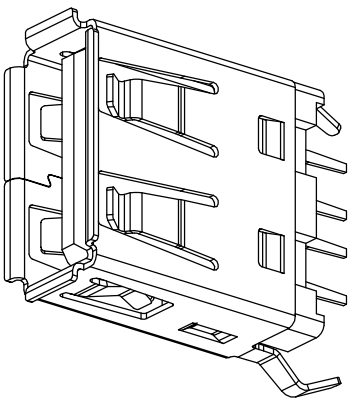
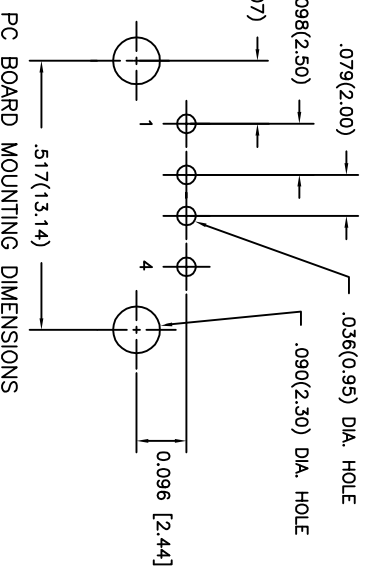


GENERAL TOLERANCES: ±0.10(0.25) EXCEPT ON PCB LAYOUT AND CONTACTS SPACING ±.006(0.15)



ELECTRICAL:

RATED CURRENT: 1.5A

RATED VOLTAGE: 30V (rms) MAX

FORCES:

MATING FORCE: 35N MAX

UNMATING FORCE: 10N MIN

MATERIALS:

SHELL: COPPER ALLOY, NICKEL PLATED

CONTACTS: COPPER ALLOY GOLD PLATE ON CONTACT AREA

TIN ON TAIL END

GOLD FLASH

30 MICRONS OF GOLD 260 CONTACT CODE

INSULATOR: THERMOPLASTIC (HIGH TEMPERATURE RESISTANCE) 660 CONTACT CODE

PART NUMBER: 690-004-260-013

CONTACT CODE

ISSUE NUMBER
RE-DWG. APR.22/08 ⑤
F.BRIONES
RE-DWG. SEP.14/08 ⑥
F.BRIONES
REMOVE 15u" GOLD RSTA.MONICA JUN.29/10 ⑦
RSTA.MONICA
TAILS DIM'S ADDED F.BRIONES JUN.22/11 ⑧
F.BRIONES
TOLERANCES ADDED F.BRIONES JUN.29/11 ⑨
F.BRIONES
ADD NOTES FORCES RSTA.MONICA JUN.26/14 ⑩
RSTA.MONICA
NEW METAL SHELL RSTA.MONICA SEPT.12/14 ⑪
RSTA.MONICA
ADD ELEC. SPECS RSTA.MONICA APR.11/2016 ⑫
RSTA.MONICA
NEW TOOLING RSTA.MONICA OCT.30/2016 ⑬
RSTA.MONICA



THIS SERIES FULLY CONFORMS TO THE EUROPEAN UNION DIRECTIVES 2011/65/EU FOR ROHS COMPLIANCY.

USB CONNECTOR A TYPE, VERTICAL, SINGLE DECK

EDAC INC
TORONTO, ONTARIO
CANADA
YOUR CONNECTION TO QUALITY & SERVICE

THESE DRAWINGS AND SPECIFICATIONS ARE THE PROPERTY OF EDAC INC. AND SHALL NOT BE REPRODUCED OR COPIED OR USED AS THE BASIS FOR THE MANUFACTURE OR SALE OF APPARATUS WITHOUT WRITTEN PERMISSION.

ACAD REFERENCE NO. 690-004-260-013	DATE: OCT 16/98
DRAWN: J.CHOW	DATE:
CHECKED:	DATE:
SCALE: (IN C.A.D. 1:1)	SHEET 1 OF 1
DRAWING NUMBER 690-004-260-013	ISSUE 13