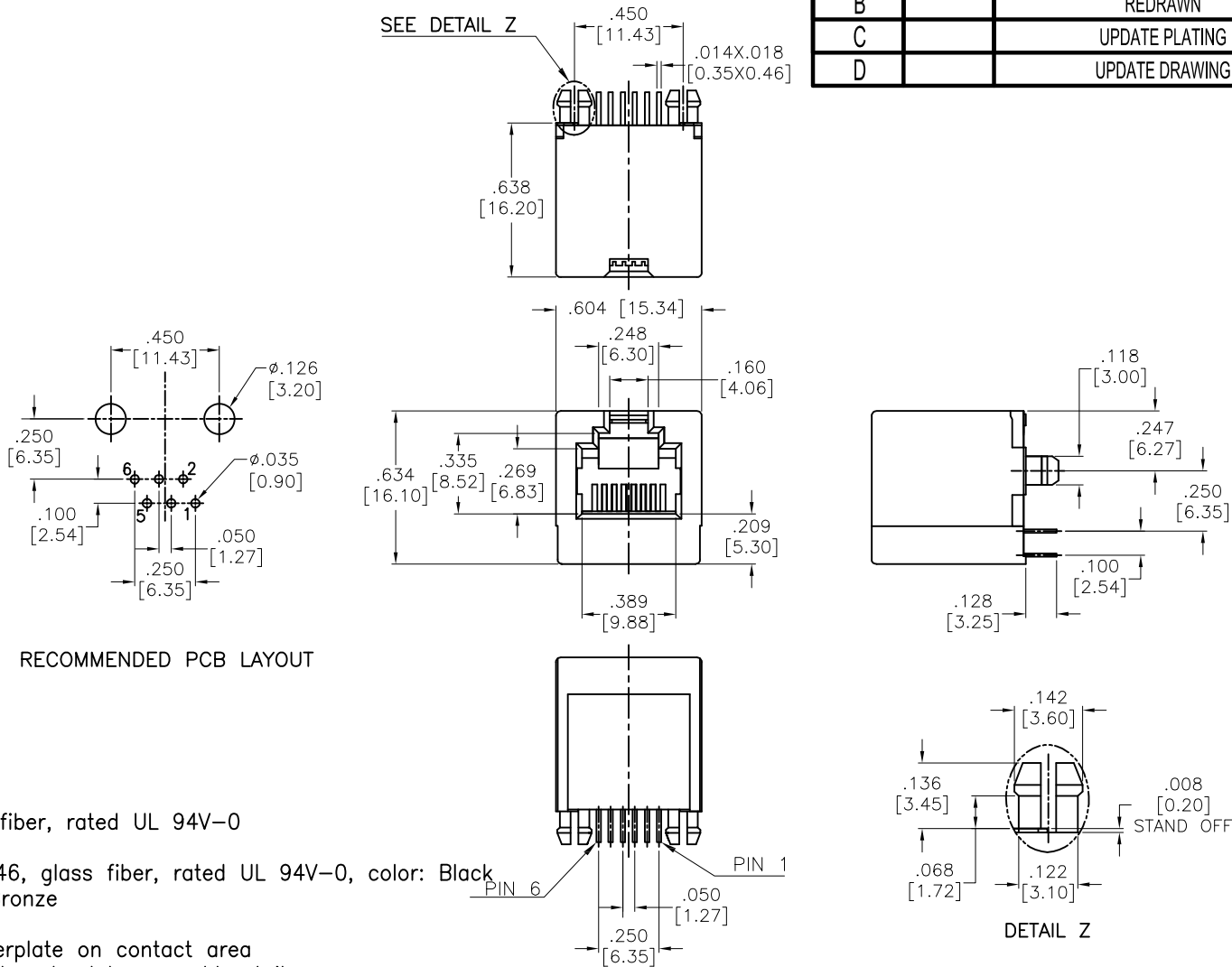


APPROVED: \_\_\_\_\_  
 DATE: \_\_\_\_\_ TITLE: \_\_\_\_\_

Rev	AWO #	Description	Date	Appr
-		RELEASED	10/4/04	
A		REDRAWN	4/08/09	
B		REDRAWN	1/14/15	AY/YC
C		UPDATE PLATING	6/20/19	LH/TW
D		UPDATE DRAWING	9/21/20	AY/EC



RECOMMENDED PCB LAYOUT

**SPECIFICATIONS:**

Material:  
 Insulator: PBT, glass fiber, rated UL 94V-0  
 Insulator color: Black  
 Insert Housing: Nylon46, glass fiber, rated UL 94V-0, color: Black  
 Contacts: Phosphor Bronze  
 Plating:  
 Gold over Nickel underplate on contact area  
 Gold flash over Nickel underplate on solder tails  
 Electrical:  
 Operating voltage: 150 VAC max  
 Current rating: 1.5 Amps max  
 Contact resistance: 20 mohms max  
 Insulation resistance: 500 Mohms min @ 500 VDC  
 Dielectric withstanding voltage: 1000 VAC for 1 minute  
 Temperature Rating:  
 Operating temperature: -40°C to +85°C  
 Environmental:  
 Lead free, RoHS compliant.



UNLESS OTHERWISE SPECIFIED ALL DIMENSIONS ARE INCHES [MM] TOLERANCES: EXCEPT AS NOTED		<b>ADAM TECH</b> 909 Rahway Avenue, Union, NJ 07083 Phone: 908-687-5000	
INCHES		Fax: 908-687-5710	
HOLES		TITLE: MODULAR TELEPHONE JACK, 6P6C TOP ENTRY, PCB	
.X ± .10	∅X ± .10	SIZE	PART NO.
.XX ± .020	∅XX ± .015	X	MTJ-66FX1
.XXX ± .015	∅XXX ± .010	APPROVED	REV. D
APPROVALS		REF: S00065T	SCALE: NTS
DRAWN	SS	SHEET 1 OF 1	
CHECKED			
DATE	10/4/04		