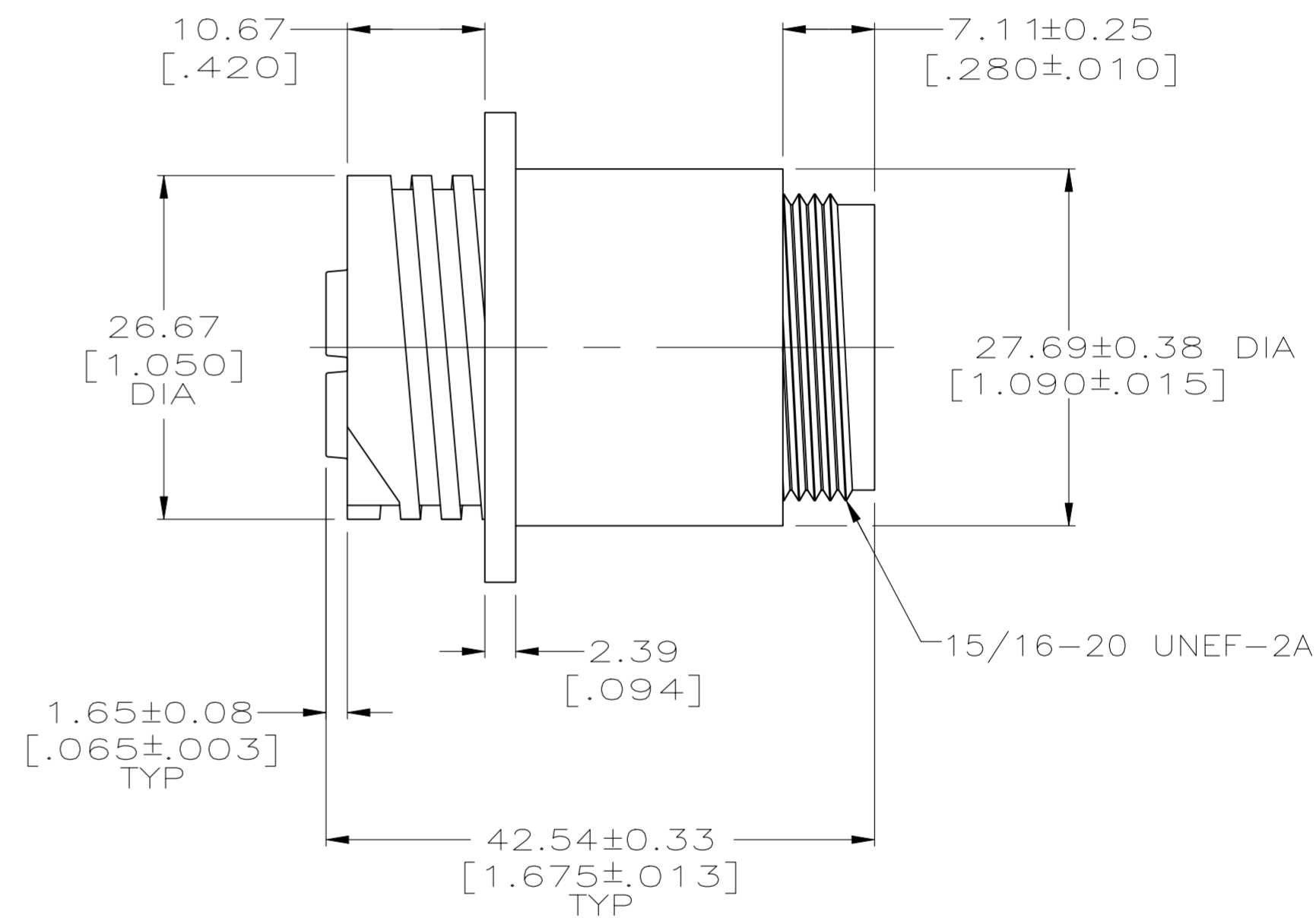
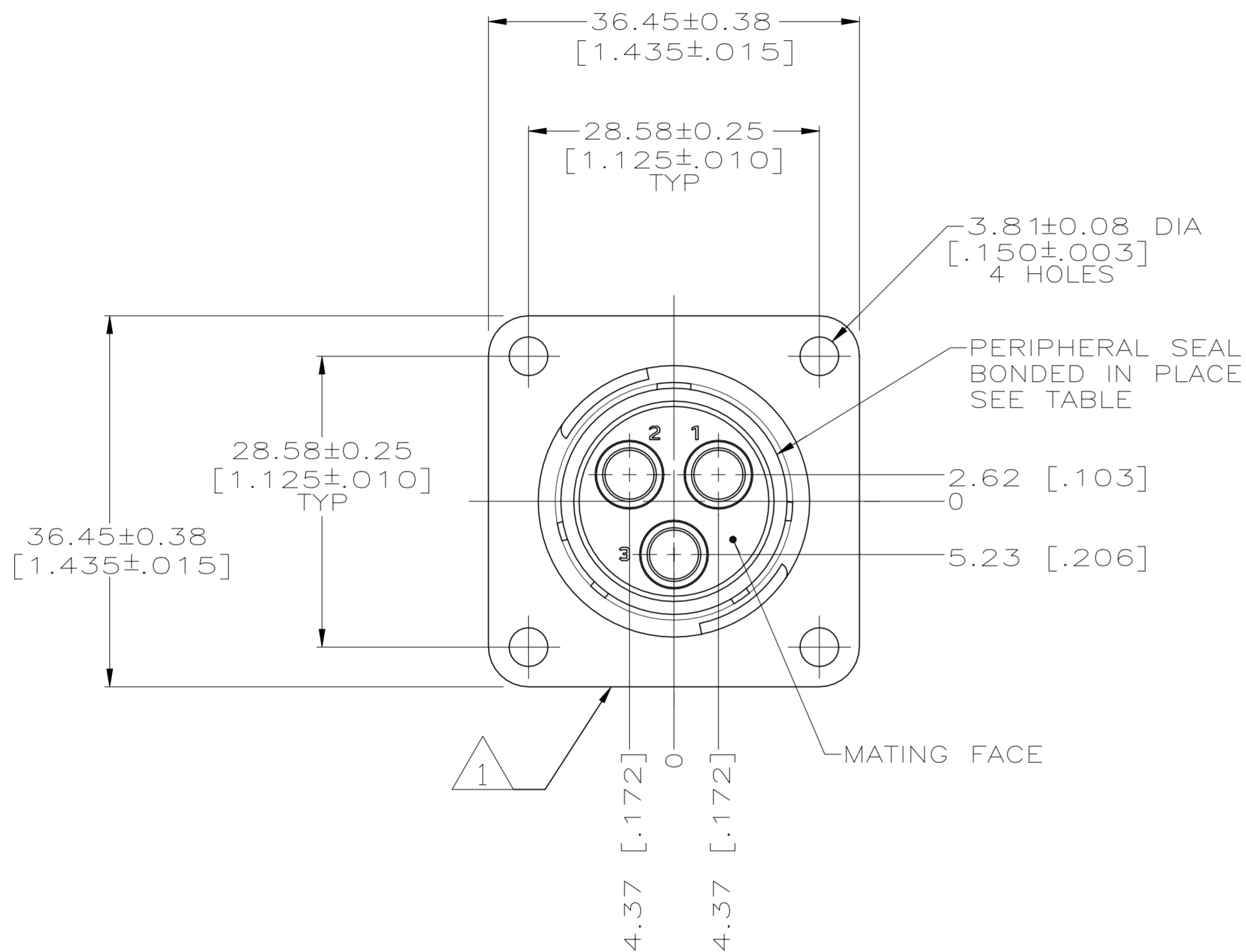


REVISIONS					
P	LTR	DESCRIPTION	DATE	DWN	APVD
C		REVISED PER ECO-21-006943	13OCT2021	RK	MZ



NOTES:

1 TE LOGO AND PART NUMBER MARKED ON ANY FLANGE EDGE

YES	213889-2
NO	213889-1
PERIPHERAL SEAL	PART NUMBER

THIS DRAWING IS A CONTROLLED DOCUMENT.		DWN	D.HARDY	06/23/95		TE Connectivity																			
DIMENSIONS: mm [INCHES]		CHK	R.STONE	06/29/95		NAME																			
TOLERANCES UNLESS OTHERWISE SPECIFIED:		APVD	A.FRANTUM	06/29/95		PRODUCT SPEC																			
<table border="0"> <tr><td>0 PLC</td><td>±</td><td>-</td></tr> <tr><td>1 PLC</td><td>±</td><td>-</td></tr> <tr><td>2 PLC</td><td>±</td><td>0.13 [.005]</td></tr> <tr><td>3 PLC</td><td>±</td><td>-</td></tr> <tr><td>4 PLC</td><td>±</td><td>-</td></tr> <tr><td>ANGLES</td><td>±</td><td>-</td></tr> </table>		0 PLC	±	-		1 PLC	±	-	2 PLC	±	0.13 [.005]	3 PLC	±	-	4 PLC	±	-	ANGLES	±	-	APPLICATION SPEC		108-1579		RECEPTACLE HOUSING, REVERSE SEX, SERIES 5, 17-3, CIRCULAR PLASTIC CONNECTOR
0 PLC	±	-																							
1 PLC	±	-																							
2 PLC	±	0.13 [.005]																							
3 PLC	±	-																							
4 PLC	±	-																							
ANGLES	±	-																							
MATERIAL	NYLON, BLACK	FINISH	-	WEIGHT	-	SIZE	A2																		
CUSTOMER DRAWING		SCALE		2:1	SHEET	1 OF 1	REV	C																	