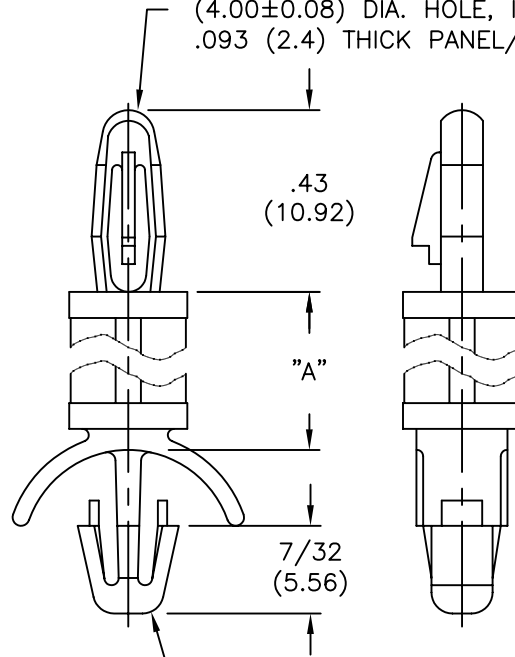


TO SNAP-LOCK IN A $.156 \pm .003$
(4.00 ± 0.08) DIA. HOLE, IN A
.093 (2.4) THICK PANEL/BOARD.



TO SNAP-LOCK IN A $.187 \pm .003$
(4.75 ± 0.08) DIA. HOLE, IN A
.08-.14 (2.0-3.6) THK.
PANEL/CHASSIS.

| PART NO. | DIM. "A" ±.015 (±0.4) |
|--------------|--------------------------|
| LCBS-6-3-01 | 3/16 (4.8) |
| LCBS-6-4-01 | 1/4 (6.4) |
| LCBS-6-5-01 | 5/16 (7.9) |
| LCBS-6-6-01 | 3/8 (9.5) |
| LCBS-6-7-01 | 7/16 (11.1) |
| LCBS-6-8-01 | 1/2 (12.7) |
| LCBS-6-10-01 | 5/8 (15.9) |
| LCBS-6-12-01 | 3/4 (19.1) |
| LCBS-6-14-01 | 7/8 (22.2) |
| LCBS-6-16-01 | 1.0 (25.4) |
| LCBS-6-18-01 | 1-1/8 (28.6) |
| LCBS-6-20-01 | 1-1/4 (31.7) |
| LCBS-6-22-01 | 1-3/8 (34.9) |

NOTES:

- MATERIAL: NYLON 6/6.
FLAME RETARDANT NYLON UL94 V-0,
AVAILABLE BY SPECIAL ORDER ONLY.
- COLOR: NATURAL.

| | | | | | | | |
|--|------------------|--|------|---------------|--|-------------------|--|
| TITLE: LOCKING CKT. BD. SUPPORT 6 SERIES | | | | | | DWG IN IN (MM) | |
| TOLERANCES UNLESS NOTED .XX=±.010 .XXX=±.005 FRAC=±1/64 ANG=±1' | FILE # LCBS-6 | DWN: JL | APP: | FINAL | | | |
| | MAT'L: SEE NOTES | DT: 01/11/99 | DT: | PART # | | PRINT | |
| | RE: RICHCO, INC. | RICHCO INC. PO BOX 804238, CHICAGO, 60680 (773) 539-4060 | | LCBS-6 SERIES | | TYPE CA | |

| | | |
|-----|------------------------------------|-------------|
| B | UPDATED PRINT AND CHANGED FILE NO. | SM 10.12.01 |
| A | DIM'S ON ARROW HEAD CHANGED | JL 4.22.99 |
| REV | DESCRIPTION | ENGR DATE |