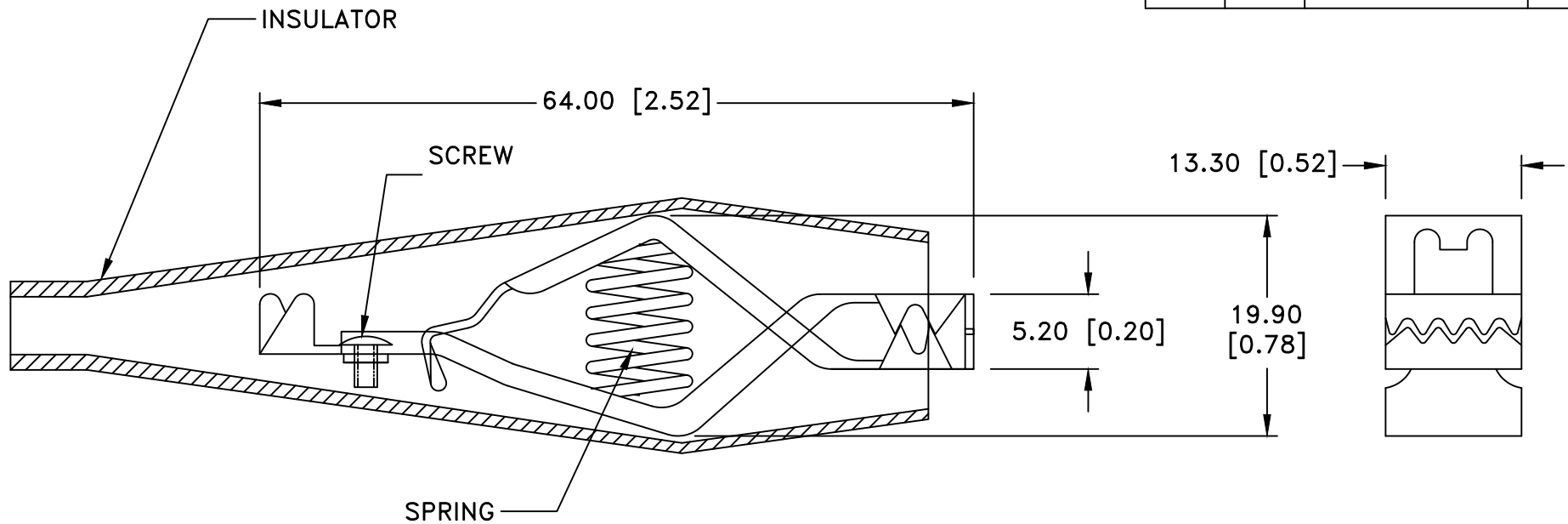



Date	SYM	REVISION RECORD	AUTH	DR.	CK.
08/14/18	A	Dim. 5.20 was 5.59 Dim. 19.90 was 18.75 Dim. 13.30 was 12.70 Dim. 64.00 was 64.65	T.B.	B.S.	



NOTES:

MATERIAL:

- INSULATOR: PVC, RED
- CLIP: STEEL, NICKEL PLATED
- SPRING: STEEL, ZINC PLATED
- SCREW: STEEL, NICKEL PLATED

Tolerance (Except as noted)	 Memory Protection Devices, Inc 200 Broad Hollow Road, Farmingdale, New York 11735		
decimal ±.5 (.020)		Scale	Drawn By B.S. Approved By T.B.
Fractional ± .8 (.030)	Title INSULATED BATTERY CLIP		
Angular ± 3°	Date 08/14/18	Drawing Number ZB3021-A	