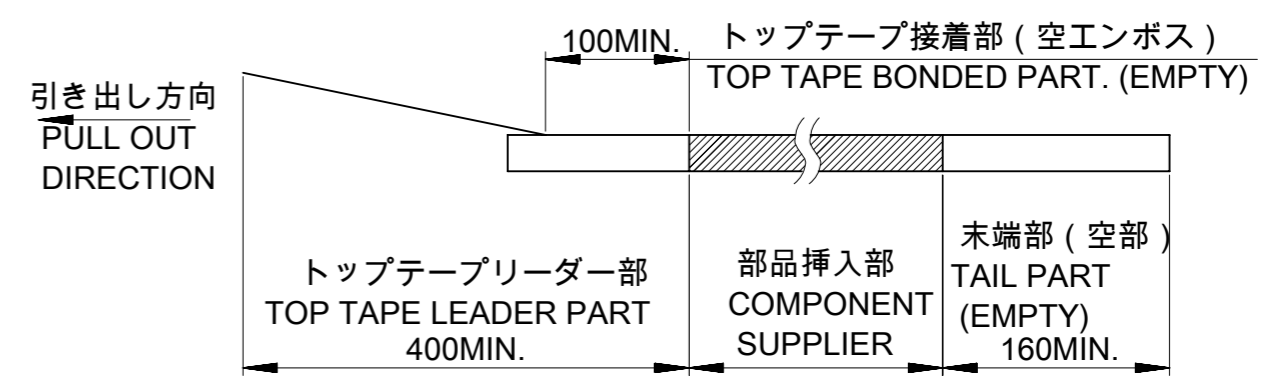


注記 NOTES

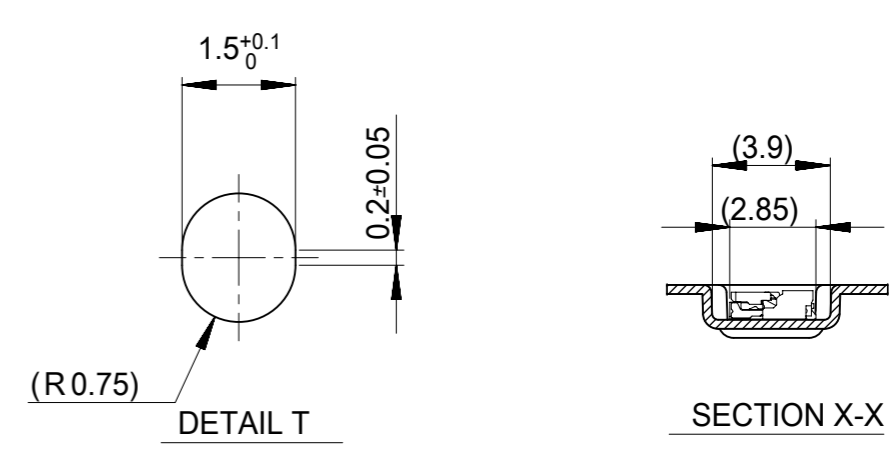
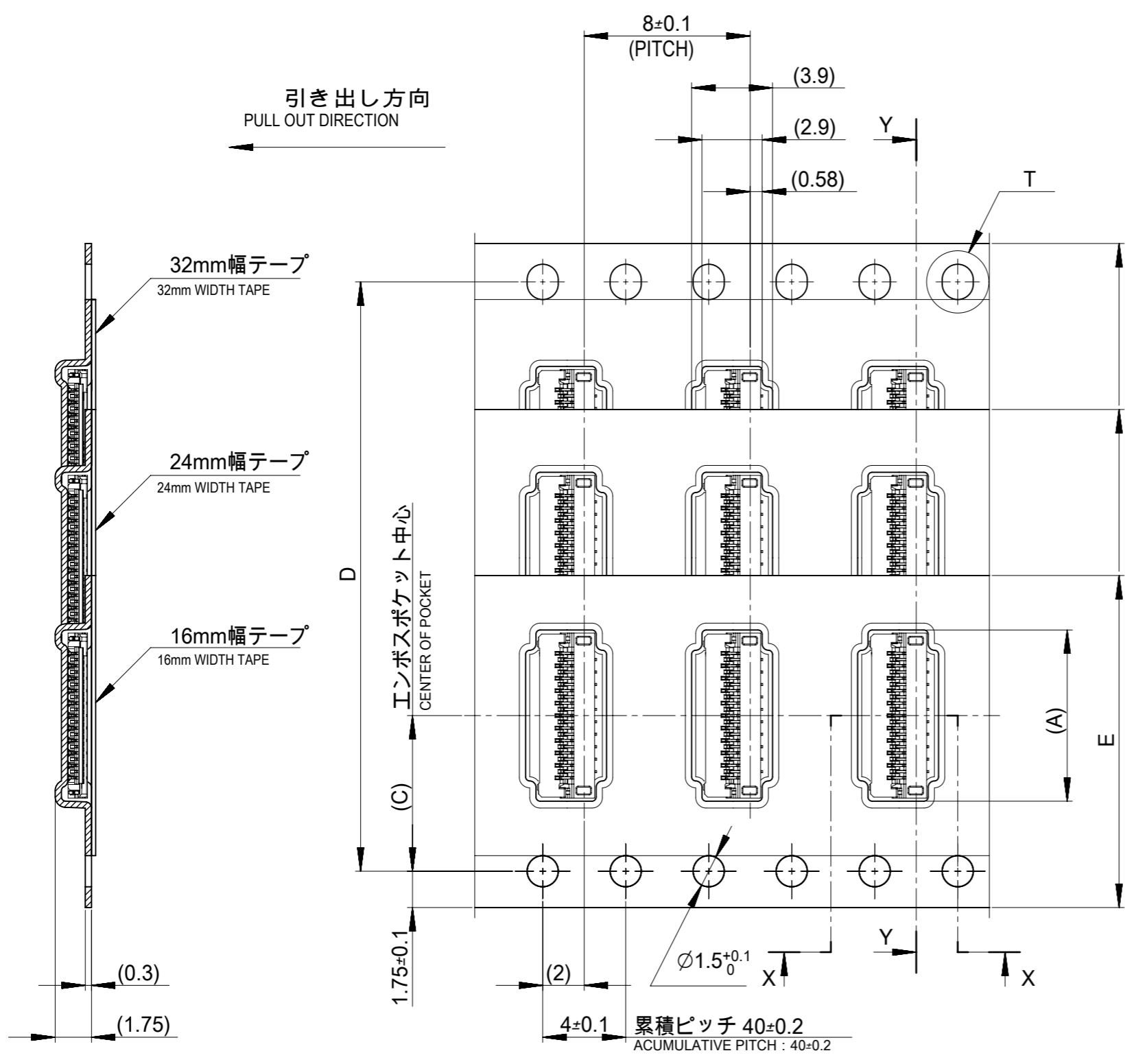
- 製品詳細寸法については製品単体図面を参考下さい。  
DETAIL DIMENSIONS, SEE PRODUCT DRAWING.
- 梱包数量 : 6000個/リール  
NUMBER OF CONNECTORS : 6000 PCS/REEL
- リードテープ長さ LEAD TAPE LENGTH



- 材料 MATERIAL  
 キャリアテープ (CARRIER TAPE) : ポリスチレン (POLYSTYRENE)  
 トップテープ (TOP TAPE) : PET, PE, PEF  
 リール (REEL) : ポリスチレン (PS) <リサイクル材を含む>  
 POLYSTYRENE (PS) <RECYCLE MATERIAL CONTAINED>
- トップテープの剥離強度については、IEC60286-3 に準拠  
 TOP TAPE PEEL FORCE IS DEFINED BY IEC60286-3.

THIS DRAWING CONTAINS INFORMATION THAT IS PROPRIETARY TO MOLEX ELECTRONIC TECHNOLOGIES, LLC AND SHOULD NOT BE USED WITHOUT WRITTEN PERMISSION

EC NO: 113200 DRWN: MNISHIKAWA CHK'D: KTAKAHASHI APPR: MSASAO	2016/12/22	2017/02/21	GENERAL TOLERANCES (UNLESS SPECIFIED) ANGULAR TOL ± ° 4 PLACES ± 3 PLACES ± 2 PLACES ± 1 PLACE ± 0 PLACES ±	DIMENSION UNITS	SCALE			
	MM	NTS		DRWN BY	DATE			
	MNISHIKAWA	2016/12/22		CHK'D BY	DATE			
	KTAKAHASHI	2017/02/21		APPR BY	DATE			
	MSASAO	2017/02/21		DRAWING SIZE	THIRD ANGLE PROJECTION			
A	REV	RELEASED	DRAFT WHERE APPLICABLE MUST REMAIN WITHIN DIMENSIONS	A3		PRODUCT CUSTOMER DRAWING 0.3 FPC CONN. E/O TAPING PACKAGE (503566-**08 SERIES)		
RELEASE STATUS	P1	RELEASE DATE	21.02.2017	05:22:24	SERIES	MATERIAL NUMBER	CUSTOMER	
					503566		GENERAL	
					DOCUMENT NUMBER	DOC TYPE	DOC PART	SHEET NUMBER
					5035660001	PSD	000	1 OF 2



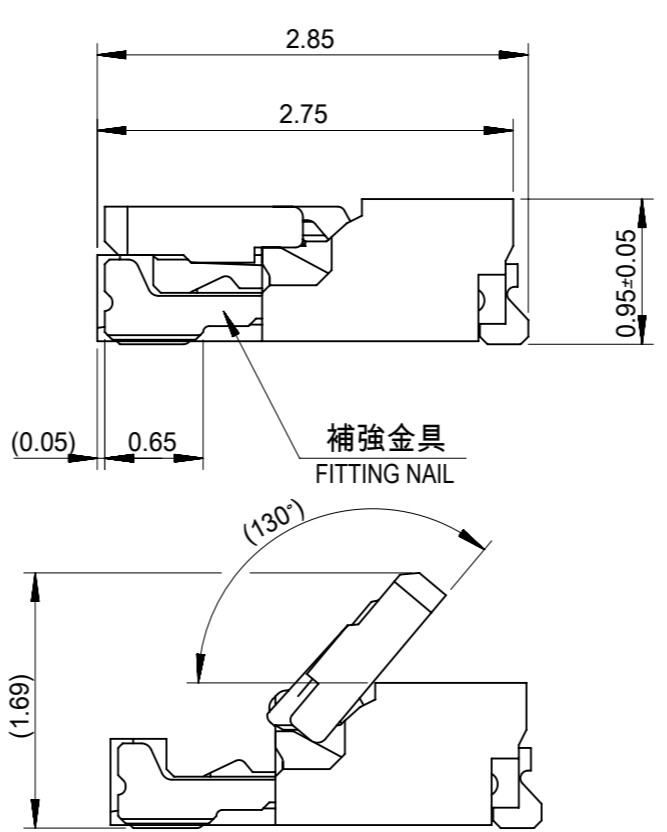
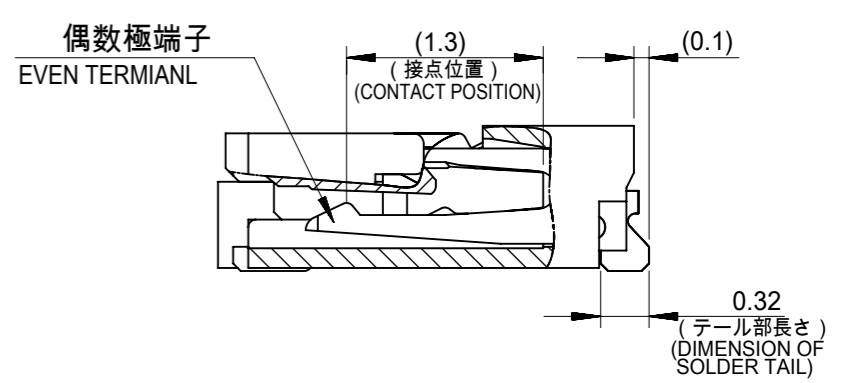
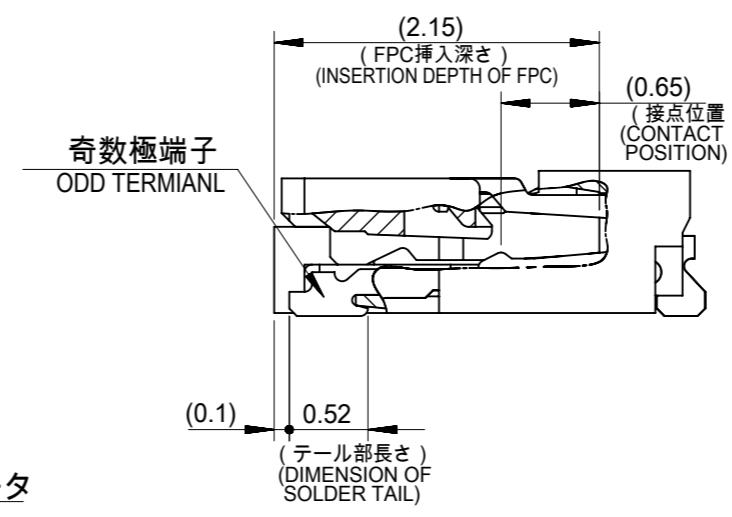
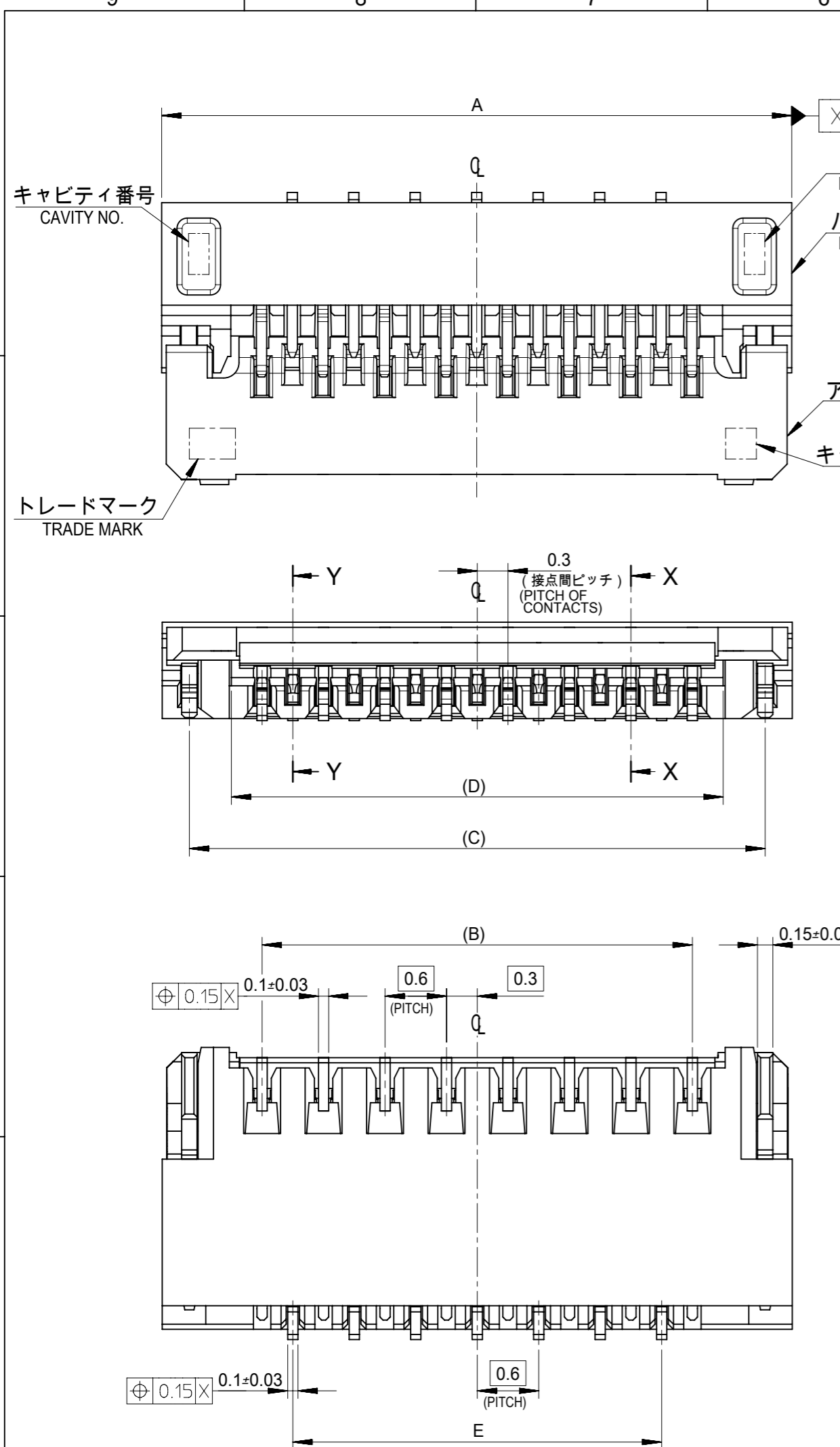
32±0.3	28.4±0.25	14.2	33.4	17.25	503566-5102	51
24±0.3	//	11.5	25.4	15.45	503566-4502	45
				14.85	503566-4302	43
				14.25	503566-4102	41
				13.65	503566-3902	39
				13.05	503566-3702	37
				12.45	503566-3502	35
				11.85	503566-3302	33
				11.25	503566-3102	31
				10.05	503566-2702	27
				9.45	503566-2502	25
16±0.3	//	7.5	17.4	8.85	503566-2302	23
				8.25	503566-2102	21
				7.65	503566-1902	19
				7.05	503566-1702	17
				6.45	503566-1502	15
				5.85	503566-1302	13
				5.25	503566-1102	11
				4.65	503566-0902	9
E キャリアテープ幅 EMBOSSED TAPE WIDTH	D	C	B	A	EMBOSSED TAPE PACKAGE オーダー番号 ORDER NO.	極数 CIRCUITS

CONNECTOR SERIES NO.:503566-\*\*08

SECTION Y-Y

THIS DRAWING CONTAINS INFORMATION THAT IS PROPRIETARY TO MOLEX ELECTRONIC TECHNOLOGIES, LLC AND SHOULD NOT BE USED WITHOUT WRITTEN PERMISSION

EC NO: 113200 DRWN: MNISHIKAWA CHK'D: KTAKAHASHI APPR: MSASAO	2016/12/22	GENERAL TOLERANCES (UNLESS SPECIFIED)	DIMENSION UNITS	SCALE				
	2017/02/21	ANGULAR TOL ± °	MM	NTS				
	2017/02/21	4 PLACES ±	DRWN BY	DATE		MNISHIKAWA 2016/12/22		
		3 PLACES ±	CHK'D BY	DATE		KTAKAHASHI 2017/02/21		
		2 PLACES ±	APPR BY	DATE		MSASAO 2017/02/21		
		1 PLACE ±	DRAWING SIZE	THIRD ANGLE PROJECTION		A3		
	0 PLACES ±	DRAFT WHERE APPLICABLE MUST REMAIN WITHIN DIMENSIONS			PRODUCT CUSTOMER DRAWING			
RELEASED					SERIES: 503566	MATERIAL NUMBER: [blank]	CUSTOMER: GENERAL	2
					DOCUMENT NUMBER: 5035660001	DOC TYPE: PSD	DOC PART: 000	SHEET NUMBER: 2 OF 2



14.4	15.6	16.42	15.0	16.95	503566-5102	51
12.6	13.8	14.62	13.2	15.15	503566-4502	45
12.0	13.2	14.02	12.6	14.55	503566-4302	43
11.4	12.6	13.42	12.0	13.95	503566-4102	41
10.8	12.0	12.82	11.4	13.35	503566-3902	39
10.2	11.4	12.22	10.8	12.75	503566-3702	37
9.6	10.8	11.62	10.2	12.15	503566-3502	35
9.0	10.2	11.02	9.6	11.55	503566-3302	33
8.4	9.6	10.42	9.0	10.95	503566-3102	31
7.2	8.4	9.22	7.8	9.75	503566-2702	27
6.6	7.8	8.62	7.2	9.15	503566-2502	25
6.0	7.2	8.02	6.6	8.55	503566-2302	23
5.4	6.6	7.42	6.0	7.95	503566-2102	21
4.8	6.0	6.82	5.4	7.35	503566-1902	19
4.2	5.4	6.22	4.8	6.75	503566-1702	17
3.6	4.8	5.62	4.2	6.15	503566-1502	15
3.0	4.2	5.02	3.6	5.55	503566-1302	13
2.4	3.6	4.42	3.0	4.95	503566-1102	11
1.8	3.0	3.82	2.4	4.35	503566-0902	9
E	D	C	B	A	EMBOSSED PACKAGE	極数
					オーダー番号 ORDER NO.	CIRCUITS

CONNECTOR SERIES NO. 503566-\*\*08

THIS DRAWING CONTAINS INFORMATION THAT IS PROPRIETARY TO MOLEX ELECTRONIC TECHNOLOGIES, LLC AND SHOULD NOT BE USED WITHOUT WRITTEN PERMISSION

2016/12/22	2017/02/21	2017/02/21	GENERAL TOLERANCES (UNLESS SPECIFIED)	DIMENSION UNITS	SCALE
2016/12/22	2017/02/21	2017/02/21	ANGULAR TOL ± °	MM	NTS
2016/12/22	2017/02/21	2017/02/21	4 PLACES ±	DRWN BY	DATE
2016/12/22	2017/02/21	2017/02/21	3 PLACES ±	MNISHIKAWA	2016/12/22
2016/12/22	2017/02/21	2017/02/21	2 PLACES ±	CHK'D BY	DATE
2016/12/22	2017/02/21	2017/02/21	1 PLACE ±	KTAKAHASHI	2017/02/21
2016/12/22	2017/02/21	2017/02/21	0 PLACES ±	APPR BY	DATE
2016/12/22	2017/02/21	2017/02/21		MSASAO	2017/02/21
2016/12/22	2017/02/21	2017/02/21	DRAFT WHERE APPLICABLE MUST REMAIN WITHIN DIMENSIONS	DRAWING SIZE	THIRD ANGLE PROJECTION
2016/12/22	2017/02/21	2017/02/21		A3	

RELEASED

EC NO: 113200  
DRWN: MNISHIKAWA  
CHK'D: KTAKAHASHI  
APPR: MSASAO

MOLEX®

0.3 FPC CONN E/O  
BTM CONTACT TYPE HGT=0.95MM

PRODUCT CUSTOMER DRAWING

SERIES	MATERIAL NUMBER	CUSTOMER	
503566		GENERAL	
DOCUMENT NUMBER	DOC TYPE	DOC PART	SHEET NUMBER
5035661001	PSD	000	1 OF 2

