

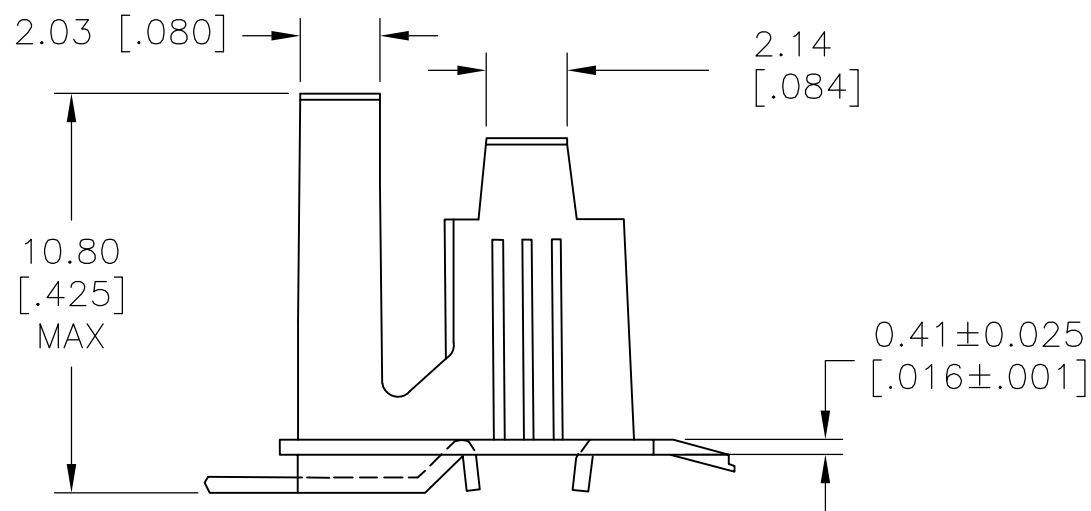
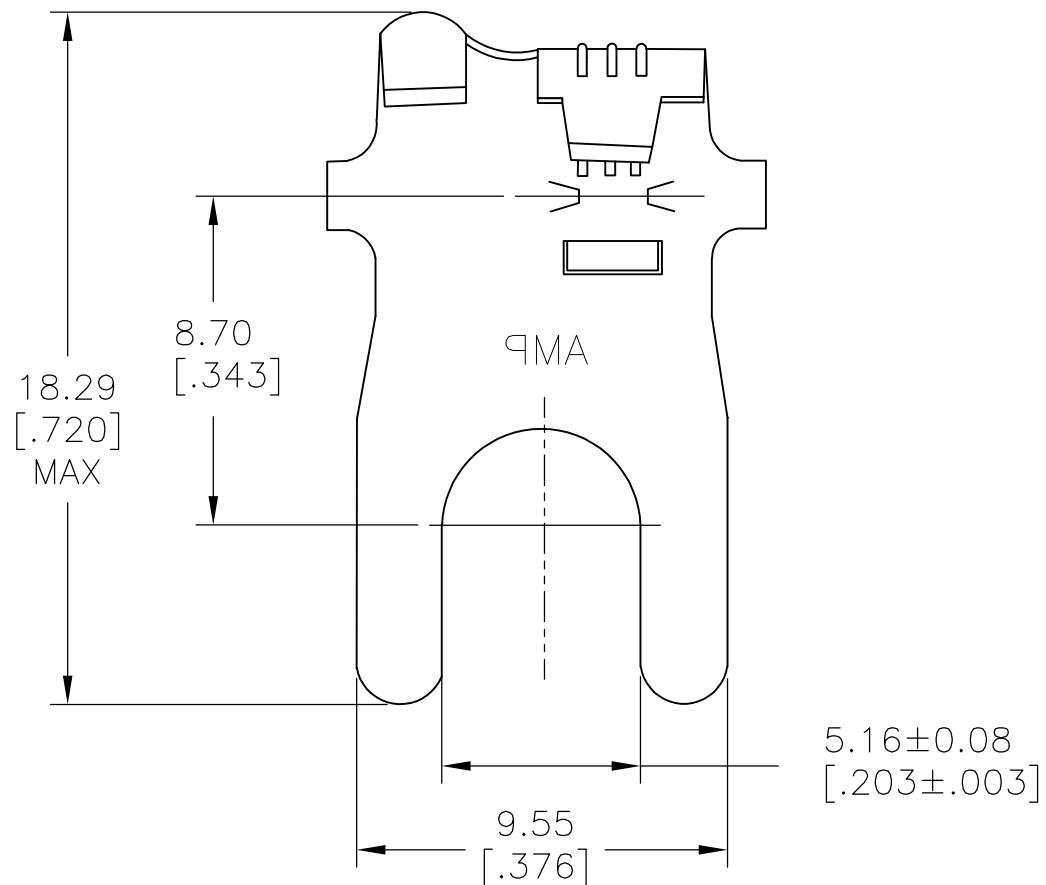
THIS DRAWING IS UNPUBLISHED.

RELEASED FOR PUBLICATION

© COPYRIGHT - By -

ALL RIGHTS RESERVED.

LOC	DIST	REVISIONS					
		P	LTR	DESCRIPTION	DATE	DWN	APVD
-	-		A	DRAWN	09FEB13	JR	PD



- 1 CONTINUOUS STRIP ON REELS ON 12.19±0.13 [.480±.005] FEED.
- 2 WIRE SIZE IS #18-#12 AWG
- 3 INSULATION RANGE IS 2.79-5.33 [.110-.210] DIA

42188-1
PART NO.

THIS DRAWING IS A CONTROLLED DOCUMENT.		DWN JR RUTH 09FEB2013	STE TE Connectivity			
DIMENSIONS: mm [INCHES]		CHK PETE DESANTIS 09FEB13				
TOLERANCES UNLESS OTHERWISE SPECIFIED:		APVD PETE DESANTIS 09FEB13	NAME SPADE, FLAG			
0 PLC ± -		PRODUCT SPEC	-			
1 PLC ± -		APPLICATION SPEC	-			
2 PLC ± 0.25 [.010]		WEIGHT	SIZE	CAGE CODE	DRAWING NO	RESTRICTED TO
3 PLC ± -		BRASS	A3	00779	C-42188	-
4 PLC ± -						
ANGLES ± -		FINISH	SCALE		SHEET	REV
MATERIAL		TIN PLATE	5:1		1 OF 1	A
CUSTOMER DRAWING						