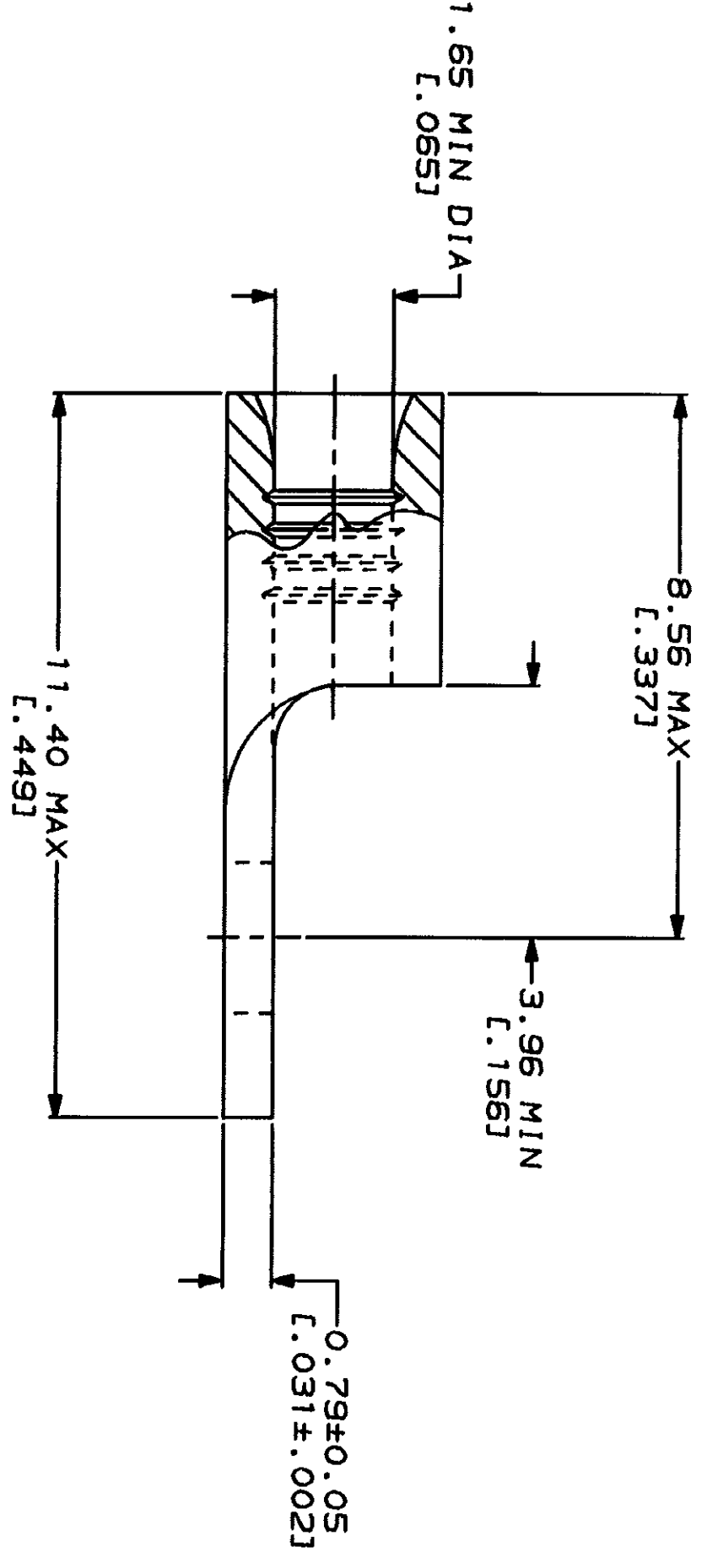
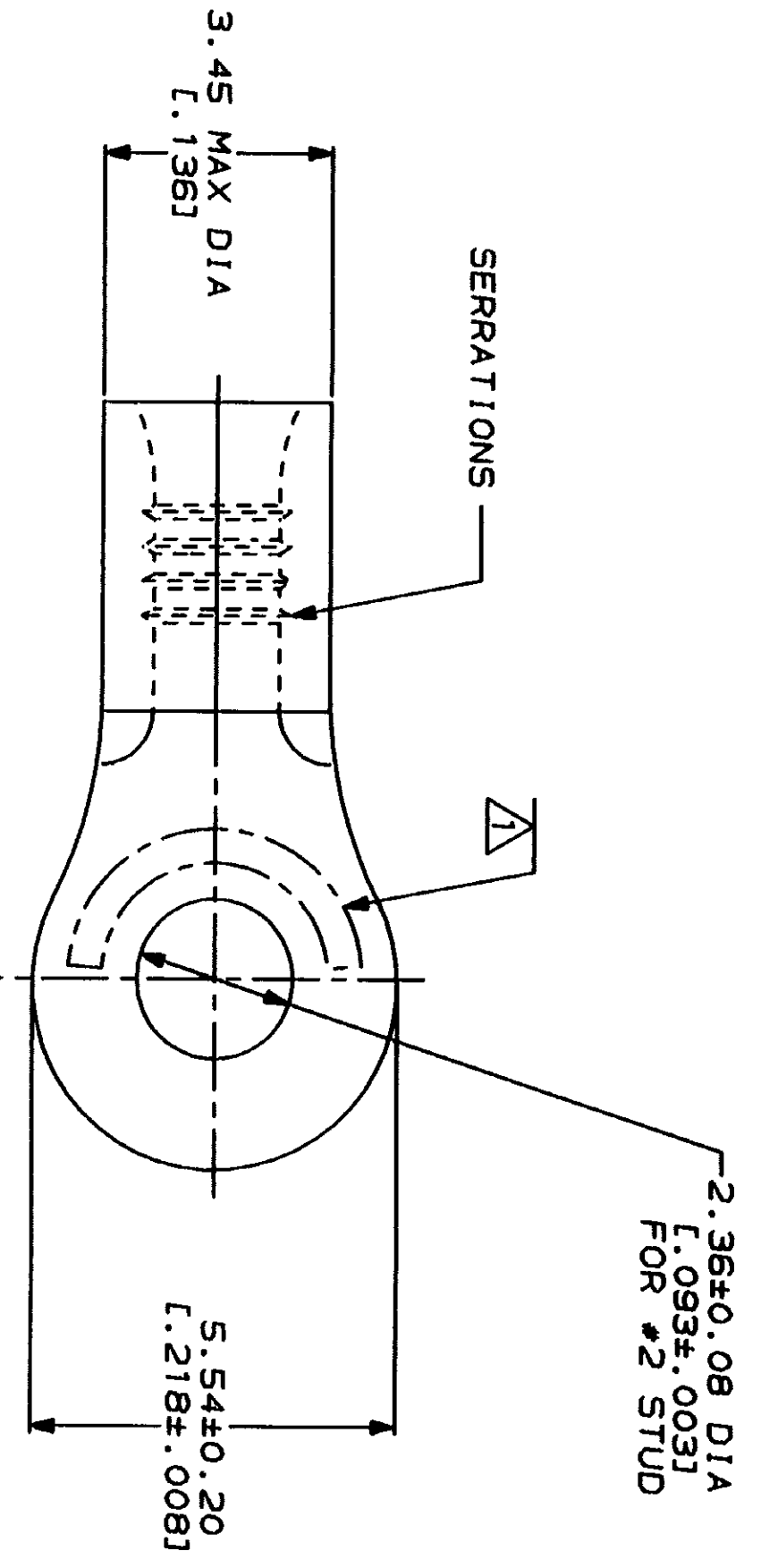


LOC	QTY	REV	DESCRIPTION	DATE	APP'D
G	14		REVISED PER 0720-0230-93	2/28/94	JAM

METPRIO
DIMENSIONS LISTED IN MM [INCHES]



AMP WIRE RANGE 22-16 AWG STRANDED	UL E13288 Listed
• LR7189 Certified	MILITARY P/N AND CLASS
NOT CERTIFIED	NOT APPLICABLE

△ STAMP AMP 22-18* APPROX AS SHOWN
22-16 TERMINALS ARE STAMPED 22-18 IN
ACCORDANCE WITH MILITARY SPECIFICATION
MIL-T-7928, COMMERCIAL WIRE RANGE IS 22-16

AMP INCORPORATED CUSTOMER SERVICE SYSTEMS		MAX RECOMMENDED OPERATING TEMPERATURE: 170°C MAX
FOR ADDITIONAL PRODUCT INFORMATION OR COPIES OF DRAWINGS AND TECHNICAL DOCUMENTS	PRODUCT INFORMATION CENTER 1-800-522-6752	VOLTAGE RATING: NOT APPLICABLE
FOR APPLICATION TOOLING INFORMATION	TOOLING ASSISTANCE CENTER 1-800-722-1111	WIRE CROSS SECTIONAL AREA RANGE: 0.26-1.65mm ² [509-3,260] CIR MILS STRANDED
FOR ORDER ENTRY	1-800-526-5142	THIS DRAWING IS A CONTROLLED DOCUMENT FOR MILITARY USE ONLY. IT IS THE PROPERTY OF AMP AND THE COMPANY HAS THE RIGHT TO REVOKE THE RIGHT OF USE AT ANY TIME WITHOUT NOTICE.

DO NOT SCALE PRINT. UNLESS SPECIFIED DIMENSIONS IN - DIMENSIONS - TOLERANCES ON: 2 PLC DEC ± 3 PLC DEC ± ANGLES ± MATERIAL	DR 1-27-83 TA BRINKMAN	AMP AMP Incorporated Harrisburg, PA 17105-3608 TERMINAL, RING TONGUE, BUDGET
FINISH TIN PLATE 0.00254L.0001001 MIN THK PER MIL-T-10727	CHK 1-27-83 DA PATTERSON	
COPPER PER ASTM B-152 ANNEALED	APPD 1-27-83 DE MILLER	
APPLICATION SPEC	APPD 1-27-83 JL HECKLEY	SIZE CAGE CODE 00779
WEIGHT		DRAWING NO G-31088
		SCALE 10:1

31088
PART NO

9801E

CUSTOMER DRAWING