



Product Compliance

[For compliance documentation, visit the product page on TE.com>](#)

EU RoHS Directive 2011/65/EU	Compliant
EU ELV Directive 2000/53/EC	Compliant
China RoHS 2 Directive MIIT Order No 32, 2016	No Restricted Materials Above Threshold
EU REACH Regulation (EC) No. 1907/2006	Current ECHA Candidate List: JUNE 2023 (235) Candidate List Declared Against: JAN 2023 (233) Does not contain REACH SVHC
Halogen Content	Not Low Halogen - contains Br or Cl > 900 ppm.
Solder Process Capability	Not reviewed for solder process capability

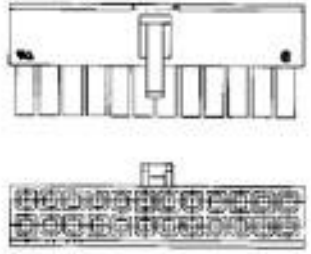
Product Compliance Disclaimer

This information is provided based on reasonable inquiry of our suppliers and represents our current actual knowledge based on the information they provided. This information is subject to change. The part numbers that TE has identified as EU RoHS compliant have a maximum concentration of 0.1% by weight in homogenous materials for lead, hexavalent chromium, mercury, PBB, PBDE, DBP, BBP, DEHP, DIBP, and 0.01% for cadmium, or qualify for an exemption to these limits as defined in the Annexes of Directive 2011/65/EU (RoHS2). Finished electrical and electronic equipment products will be CE marked as required by Directive 2011/65/EU. Components may not be CE marked. Additionally, the part numbers that TE has identified as EU ELV compliant have a maximum concentration of 0.1% by weight in homogenous materials for lead, hexavalent chromium, and mercury, and 0.01% for cadmium, or qualify for an exemption to these limits as defined in the Annexes of Directive 2000/53/EC (ELV). Regarding the REACH Regulation, the information TE provides on SVHC in articles for this part number is based on the latest European Chemicals Agency (ECHA) 'Guidance on requirements for substances in articles' posted at this URL: <https://echa.europa.eu/guidance-documents/guidance-on-reach>

Compatible Parts

 <p>TE Part # CAT-M9194-CH8172 MULTILOCK, CONNECTOR HOUSING</p>	 <p>TE Part # 316019-6 040 PAIR MATE PLUG HSG ASY 28P</p>	 <p>TE Part # 316013-6 040 PAIR MATE PLUG HSG ASY 16P</p>
--	---	--

Customers Also Bought



TE Part #2-794954-4
24P RCPT VAL-U-LOK V2



TE Part #184006-1
2 POS. PLUG ASSY, KEY D, GREEN



TE Part #1981341-1
2.3 UNSEALED TW REC.CONTACT



TE Part #1-2303812-1
DT04-2P-TE31, REC, 2P, GRY, E, SNAPCAP



TE Part #5501062005
SCL-1-0-STK



TE Part #5501052008
SCL-3/4-0-STK




TE Part #905802-000
ST63-2-55-22-90



TE Part #184006-2
2 POS. PLUG ASSY, KEY D, GRAY



TE Part #601934-000
ST63-3-55-22-90



TE Part #5174385-5
CLC CONN. CAP ASSY 76P