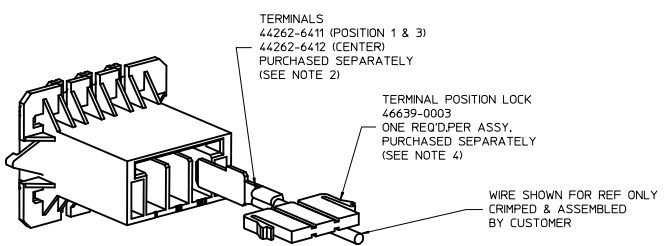


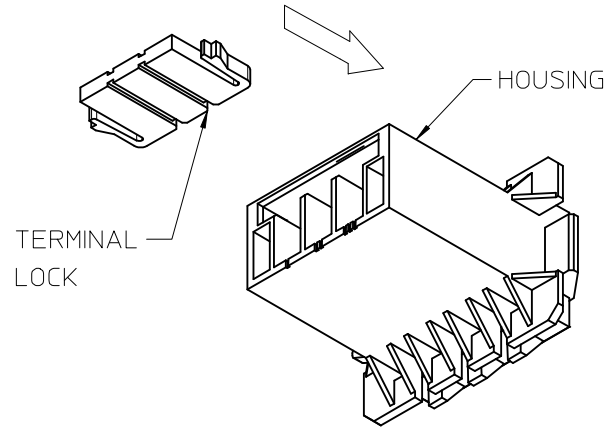
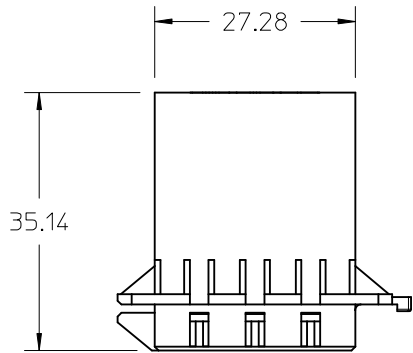
RECOMMENDED PANEL CUTOUT

NOTE: ALL PANEL DIMS ARE $\pm 0.13/005$
 PANEL THICKNESS 1.0 $\pm 0.05/039\pm 0.02$

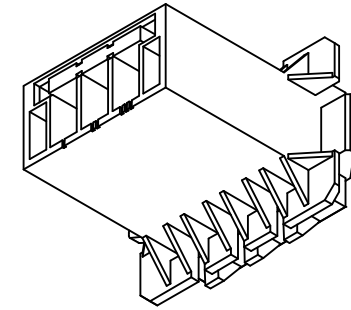
- NOTES:
1. MATERIAL: PBT - 94V-0, COLOR: BLACK
 2. HOUSING ACCEPTS MOLEX BLADE TERMINAL 44262-64** SERIES (SEE SD-44262-026 FOR TERMINAL OPTIONS)
 3. PLUG HOUSING MATES WITH RECEPTACLE HOUSING SERIES 46639-0002 (SEE SD-46639-002 FOR HOUSING OPTIONS)
 4. HOUSING REQUIRES TERMINAL POSITION LOCK (SEE SD-46639-003) P/N: 46639-0003 TO BE ORDERED SEPARATELY
 5. HOUSING IS RoHS COMPLIANT.
 6. MAXIMUM MATING FORCE OF PLUG AND RECEPTACLE IS 32N / 7 LBS
 7. HOUSING FOR USE WITH WIRE SIZES 10 THRU 16 AWG
 8. PRODUCT SPECIFICATION: PS-44262-300



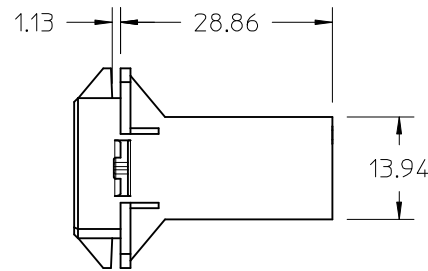
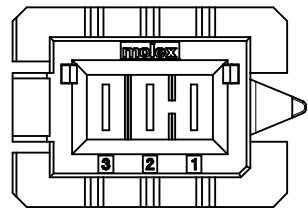
RELEASED IEC NO: UCP2011-3253 DRWN: JUILLES 2011/04/27 CHKD: APATEL 2011/04/27 APPR: APATEL 2011/04/27 REV: A	QUALITY SYMBOLS	GENERAL TOLERANCES (UNLESS SPECIFIED)	DIMENSION STYLE	SCALE	DESIGN UNITS	THIRD ANGLE PROJECTION	
		mm INCH	MM/IN	2:1	METRIC		
		4 PLACES $\pm .015$	DRAWN BY JSCHAFFER	DATE 2-3-2009	TITLE	PLUG HOUSING 3 CIRCUIT PANEL MOUNT POWER CONNECTOR	
		3 PLACES $\pm .025$	CHECKED BY SBGIEL	DATE 2-3-2009	MATERIAL NO.	DOCUMENT NO.	SHEET NO.
	2 PLACES ± 0.38	1 PLACE ± 0.64	APPROVED BY APATEL	DATE 2-4-2009	MOLEX INCORPORATED	1 OF 1	
	ANGULAR $\pm 1/2^\circ$	DRAFT WHERE APPLICABLE MUST REMAIN WITHIN DIMENSIONS		THIS DRAWING CONTAINS INFORMATION THAT IS PROPRIETARY TO MOLEX INCORPORATED AND SHOULD NOT BE USED WITHOUT WRITTEN PERMISSION			



TERMINAL LOCK LOADING DIRECTION
(TERMINAL LOCK INCLUDED IN THE KIT)



TERMINAL LOCK FULLY SEATED



NOTES:

1. MATERIAL-HOUSING: HIGH TEMPERATURE PLASTIC, BLACK, UL94V-0
2. PRODUCT MEETS RoHS REQUIREMENTS.
3. PACKAGING PER PK-46639-101.
4. ASSEMBLY MATES TO MOLEX PLUG ASSEMBLY P/N 46639-002
5. TERMINALS 44262-6411 & 6412 SOLD SEPARATELY.

PLUG ASSEMBLY KIT	46639-1001
HOUSING	46639-0001
TERMINAL LOCK	46639-0003

INITIAL RELEASE EC NO: UCP2009-1928 DRWN: JSCHAFFER 2009/02/06 CHKD: 2009/02/09 APPR: APATEL 2009/02/10	QUALITY SYMBOLS ▽=0 ▽=0	GENERAL TOLERANCES (UNLESS SPECIFIED)		DIMENSION STYLE MM ONLY		SCALE 1.5:1	DESIGN UNITS METRIC	THIRD ANGLE PROJECTION	
		4 PLACES	± ---	± ---	DRAWN BY JSCHAFFER	DATE 2-4-2009	TITLE PLUG ASSY KIT HOUSING/TERM.LOCK POWER CONNECTOR		
		3 PLACES	± ---	± ---	CHECKED BY APATEL	DATE 2-5-2009			
		2 PLACES	± 0.13	± ---	APPROVED BY APATEL	DATE 2-6-2009	MOLEX INCORPORATED		
1 PLACE	± 0.25	± ---	ANGULAR ±1/2°		MATERIAL NO. 466391001	DOCUMENT NO. SD-46639-1001	SHEET NO. 1 OF 1		
DRAFT WHERE APPLICABLE MUST REMAIN WITHIN DIMENSIONS		THIS DRAWING CONTAINS INFORMATION THAT IS PROPRIETARY TO MOLEX INCORPORATED AND SHOULD NOT BE USED WITHOUT WRITTEN PERMISSION							