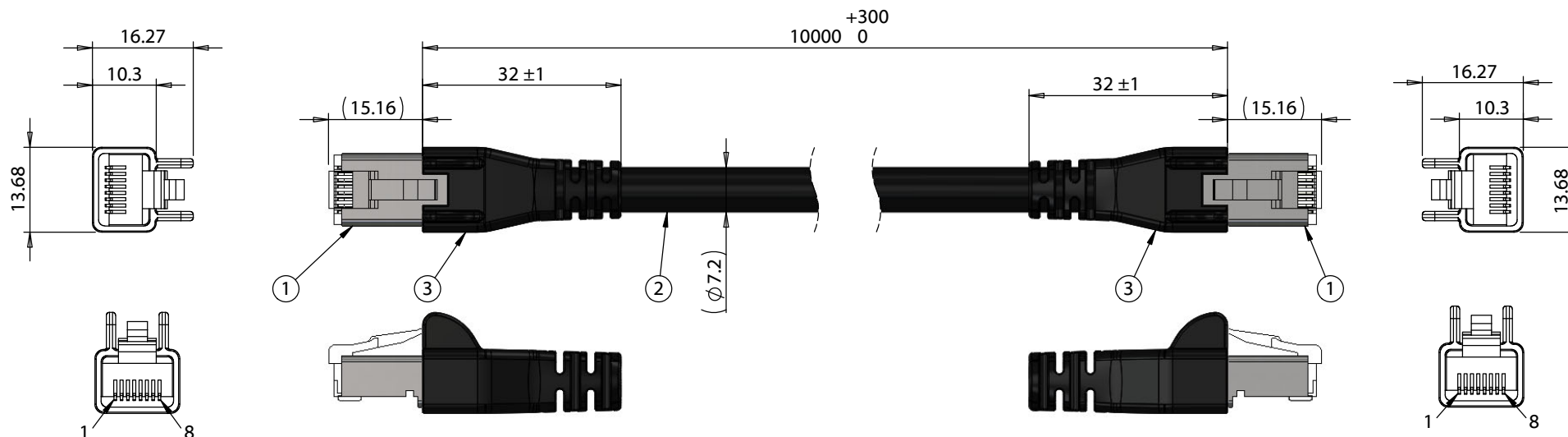


ITEM NO.	PART NUMBER	DESCRIPTION	QTY.	COMPONENT NOTES
1	50-00995	Connector, 8P8C RJ45 plug, IDC, CAT6a, shielded	2	
2	30-01714	Wire, 4PR BC, 26 AWG, CAT6a SF/UTP, UL20387, 300V, 105C, 60C oil, UV, 7.2 mm, shielded, VW-1, PVC	1	
3	24-00362	Overmold, RJ45 plug	2	PVC, black, 60 °C oil and UV resistant



Notes:
 Cable rated for 48 V, 1.5 A
 Temperature: -25 ~ 105 °C
 Signal: Ethernet CAT6a, 10 Gbps

Wire:
 Oil resistant up to 60 °C
 Water resistant up to 75 °C
 UV resistant

Functionally equivalent components may be substituted

Wiring Diagram		
50-00995	wire color	50-00995
1	orange/white	1
2	orange	2
3	green/white	3
4	blue	4
5	blue/white	5
6	green	6
7	brown/white	7
8	brown	8
Shell	shield	Shell

Revision: A	Date: 5/19/2022	Description: Initial release	Prepared: JD <small>Digitally signed by JD Date: 2022.05.19 14:29:49 -0700</small>	Notes: RoHS compliant	<h1>TENSILITY</h1> <p>tel 1.541.323.3228 800 877.670.7118 fax 1.541.323.4202 web tensility.com</p>
			Verified: MP <small>Digitally signed by MP Date: 2022.05.20 08:31:23 -0700</small>	Function test: no open, no short circuit, no intermittent	
			Dimensions are in millimeters. Tolerances: X: ± 0.5 mm X.X: ± 0.3 mm X.XX: ± 0.3 mm	Description: Cable, 10000 mm, 8P8C 50-00995 RJ45 plug to same, CAT6a patch cable, 26 AWG, 30-01714 wire	Size: A Part number: 10-03977
					Scale: 1:1 Sheet 1 of 1

5 4 3 2 1