

# DMC 1,5/19-G1-3,5 P35 - PCB header



1053836

<https://www.phoenixcontact.com/pc/products/1053836>

Please be informed that the data shown in this PDF document is generated from our online catalog. Please find the complete data in the user documentation. Our general terms of use for downloads are valid.



PCB headers, nominal cross section: 1.5 mm<sup>2</sup>, color: green, nominal current: 8 A, rated voltage (III/2): 160 V, contact surface: Tin, contact connection type: Pin, number of potentials: 38, number of rows: 2, number of positions: 19, number of connections: 38, product range: DMC 1,5/...-G1, pitch: 3.5 mm, mounting: Wave soldering, pin layout: Linear pinning, solder pin [P]: 3.5 mm, number of solder pins per potential: 1, plug-in system: COMBICON DFMC 1,5, Pin connector pattern alignment: Standard, locking: without, mounting: without, type of packaging: packed in cardboard

## Your advantages

- Conductor connection on several levels enables higher contact density
- Small component size for applications where space is at a premium
- Well-known mounting principle allows worldwide use

## Commercial data

|                                      |                                |
|--------------------------------------|--------------------------------|
| Item number                          | 1053836                        |
| Packing unit                         | 50 pc                          |
| Minimum order quantity               | 1 pc                           |
| Note                                 | Made to order (non-returnable) |
| Product key                          | AABSJA                         |
| GTIN                                 | 4055626687551                  |
| Weight per piece (including packing) | 8.2 g                          |
| Weight per piece (excluding packing) | 8.2 g                          |
| Customs tariff number                | 85366930                       |
| Country of origin                    | CN                             |

# DMC 1,5/19-G1-3,5 P35 - PCB header



1053836

<https://www.phoenixcontact.com/pc/products/1053836>

## Technical data

### Product properties

|                           |                       |
|---------------------------|-----------------------|
| Product line              | COMBICON Connectors S |
| Product type              | PCB headers           |
| Product family            | DMC 1,5/..-G1         |
| Number of positions       | 19                    |
| Pitch                     | 3.5 mm                |
| Number of connections     | 38                    |
| Number of rows            | 2                     |
| Number of potentials      | 38                    |
| Pin layout                | Linear pinning        |
| Solder pins per potential | 1                     |

### Electrical properties

|                             |        |
|-----------------------------|--------|
| Nominal current $I_N$       | 8 A    |
| Nominal voltage $U_N$       | 160 V  |
| Degree of pollution         | 3      |
| Contact resistance          | 3 mΩ   |
| Rated voltage (III/3)       | 160 V  |
| Rated surge voltage (III/3) | 2.5 kV |
| Rated voltage (III/2)       | 160 V  |
| Rated surge voltage (III/2) | 2.5 kV |
| Rated voltage (II/2)        | 250 V  |
| Rated surge voltage (II/2)  | 2.5 kV |

### Mounting

|               |                |
|---------------|----------------|
| Mounting type | Wave soldering |
| Pin layout    | Linear pinning |

### Material specifications

#### Material data - contact

|   |  |
|---|--|
| Note  | WEEE/RoHS-compliant, free of whiskers according to IEC 60068-2-82/JEDEC JESD 201 |
| Contact material                            | Cu alloy   |
| Surface characteristics                     | Tin-plated   |
| Metal surface contact area (top layer)      | Tin (4 - 8 μm Sn)  |
| Metal surface contact area (middle layer)   | Nickel (1.5 - 4 μm Ni)   |
| Metal surface soldering area (top layer)    | Tin (4 - 8 μm Sn)  |
| Metal surface soldering area (middle layer) | Nickel (1.5 - 4 μm Ni)   |

#### Material data - housing

|                     |              |
|---------------------|--------------|
| Color (Housing)     | green (6021) |
| Insulating material | PBT          |

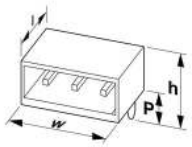
# DMC 1,5/19-G1-3,5 P35 - PCB header

1053836

<https://www.phoenixcontact.com/pc/products/1053836>

|  |      |
|--|------|
| Insulating material group              | IIIa |
| CTI according to IEC 60112             | 225  |
| Flammability rating according to UL 94 | V0   |

## Dimensions

|                       |  |
|-----------------------|--|
| Dimensional drawing   |  |
| Pitch                 | 3.5 mm   |
| Width [w]             | 67.3 mm  |
| Height [h]            | 14.3 mm  |
| Length [l]            | 11.6 mm  |
| Installed height      | 10.8 mm  |
| Solder pin length [P] | 3.5 mm   |
| Pin dimensions        | 0.8 x 0.8 mm   |

## PCB design

|               |         |
|---------------|---------|
| Pin spacing   | 2.50 mm |
| Hole diameter | 1.2 mm  |

## Mechanical tests

### Visual inspection

|               |                       |
|---------------|-----------------------|
| Specification | IEC 60512-1-1:2002-02 |
| Result        | Test passed           |

### Dimension check

|               |                       |
|---------------|-----------------------|
| Specification | IEC 60512-1-2:2002-02 |
| Result        | Test passed           |

### Resistance of inscriptions

|               |                        |
|---------------|------------------------|
| Specification | IEC 60068-2-70:1995-12 |
| Result        | Test passed            |

### Polarization and coding

|               |                        |
|---------------|------------------------|
| Specification | IEC 60512-13-5:2006-02 |
| Result        | Test passed            |

### Contact holder in insert

|   |                        |
|---|------------------------|
| Specification                               | IEC 60512-15-1:2008-05 |
| Contact holder in insert Requirements >20 N | Test passed            |

### Insertion and withdrawal forces

|        |             |
|--------|-------------|
| Result | Test passed |
|--------|-------------|

# DMC 1,5/19-G1-3,5 P35 - PCB header



1053836

<https://www.phoenixcontact.com/pc/products/1053836>

|                                     |     |
|-------------------------------------|-----|
| No. of cycles                       | 25  |
| Insertion strength per pos. approx. | 3 N |
| Withdraw strength per pos. approx.  | 2 N |

## Electrical tests

### Thermal test | Test group C

|                            |                       |
|----------------------------|-----------------------|
| Specification              | IEC 60512-5-1:2002-02 |
| Tested number of positions | 20                    |

### Air clearances and creepage distances |

|  |                     |
|--|---------------------|
| Specification  | IEC 60664-1:2007-04 |
| Insulating material group                              | IIIa                |
| Comparative tracking index (IEC 60112)                 | CTI 225             |
| Rated insulation voltage (III/3)                       | 160 V               |
| Rated surge voltage (III/3)                            | 2.5 kV              |
| minimum clearance value - non-homogenous field (III/3) | 1.5 mm              |
| minimum creepage distance (III/3)                      | 2.5 mm              |
| Rated insulation voltage (III/2)                       | 160 V               |
| Rated surge voltage (III/2)                            | 2.5 kV              |
| minimum clearance value - non-homogenous field (III/2) | 1.5 mm              |
| minimum creepage distance (III/2)                      | 1.6 mm              |
| Rated insulation voltage (II/2)                        | 250 V               |
| Rated surge voltage (II/2)                             | 2.5 kV              |
| minimum clearance value - non-homogenous field (II/2)  | 1.5 mm              |
| minimum creepage distance (II/2)                       | 2.5 mm              |

## Environmental and real-life conditions

### Vibration test

|                        |                             |
|------------------------|-----------------------------|
| Specification          | IEC 60068-2-6:2007-12       |
| Frequency              | 10 - 150 - 10 Hz            |
| Sweep speed            | 1 octave/min                |
| Amplitude              | 0.35 mm (10 Hz ... 60.1 Hz) |
| Sweep speed            | 5g (60.1 Hz ... 150 Hz)     |
| Test duration per axis | 2.5 h                       |

### Durability test

|  |                       |
|--|-----------------------|
| Specification                          | IEC 60512-9-1:2010-03 |
| Impulse withstand voltage at sea level | 2.95 kV               |
| Contact resistance $R_1$               | 3 m $\Omega$          |
| Contact resistance $R_2$               | 3.5 m $\Omega$        |
| Insertion/withdrawal cycles            | 25                    |

### Climatic test

|               |                  |
|---------------|------------------|
| Specification | ISO 6988:1985-02 |
|---------------|------------------|

# DMC 1,5/19-G1-3,5 P35 - PCB header



1053836

<https://www.phoenixcontact.com/pc/products/1053836>

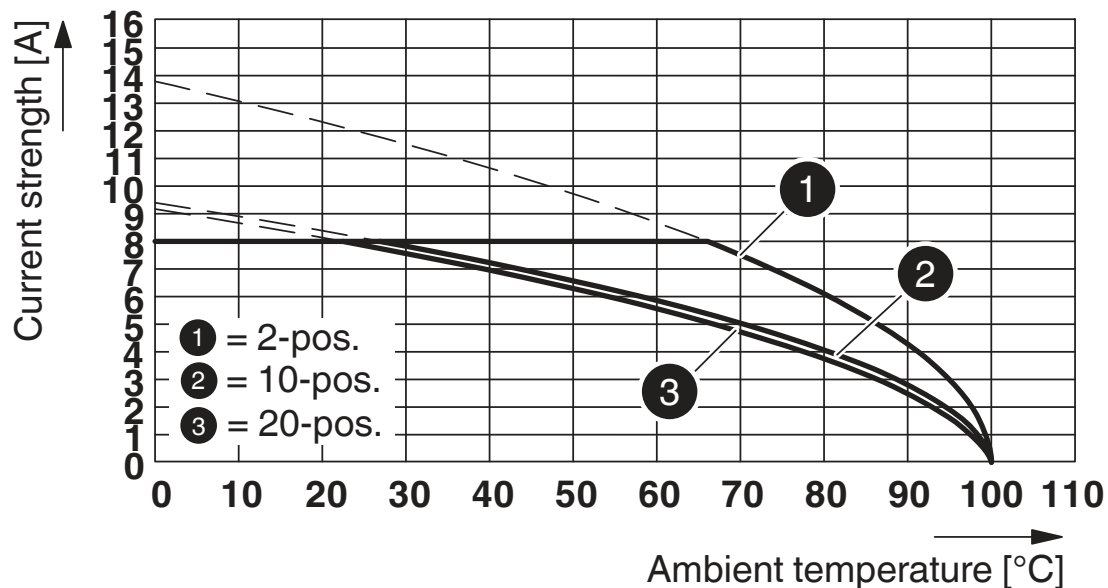
|                                   |   |
|-----------------------------------|---|
| Corrosive stress                  | 0.2 dm <sup>3</sup> SO <sub>2</sub> on 300 dm <sup>3</sup> /40 °C/1 cycle |
| Thermal stress                    | 105 °C/168 h  |
| Power-frequency withstand voltage | 1.39 kV   |

## Ambient conditions

|   |   |
|---|---|
| Ambient temperature (operation)         | -40 °C ... 100 °C (dependent on the derating curve) |
| Ambient temperature (storage/transport) | -40 °C ... 70 °C                                    |
| Relative humidity (storage/transport)   | 30 % ... 70 %                                       |
| Ambient temperature (assembly)          | -5 °C ... 100 °C                                    |

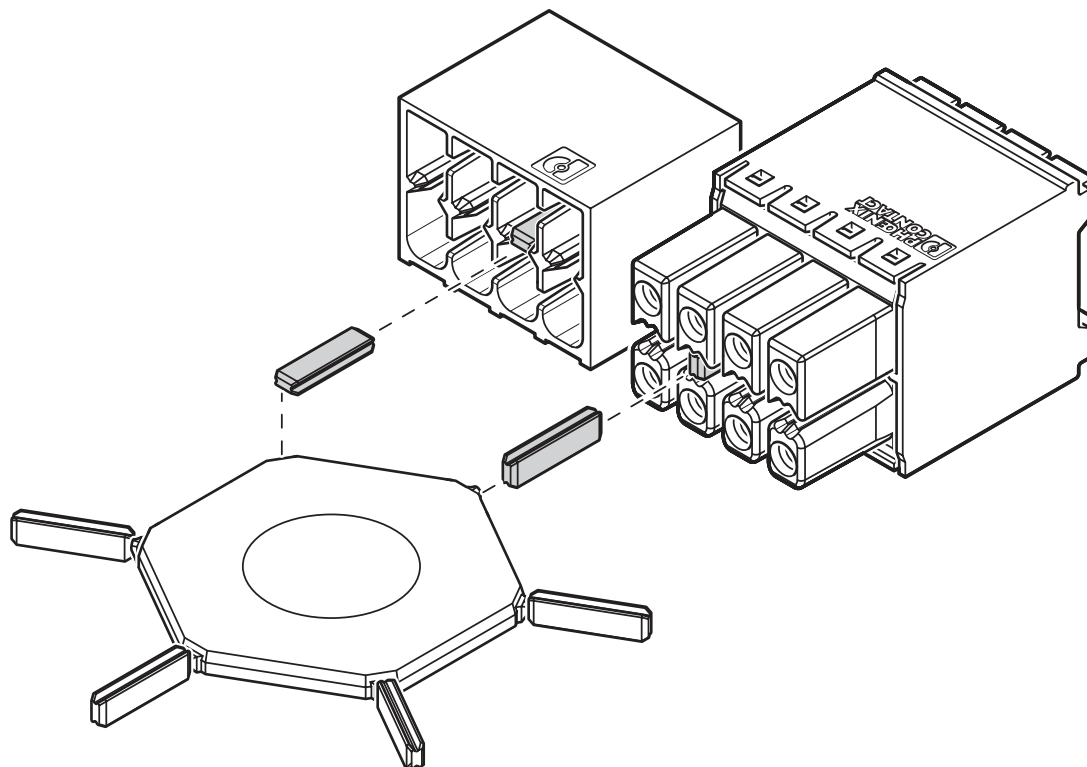
## Drawings

Diagram



Type: DFMC 1.5/...-ST-3.5 with DMC 1.5/...-G1-3.5 P35

Schematic diagram



Use of the CP-DMC... coding profile

# DMC 1,5/19-G1-3,5 P35 - PCB header





1053836

<https://www.phoenixcontact.com/pc/products/1053836>

## Approvals

To download certificates, visit the product detail page: <https://www.phoenixcontact.com/pc/products/1053836>

 **EAC**  
Approval ID: B.01687

 **cULus Recognized**  
Approval ID: E60425-20110128

|             | Nominal voltage $U_N$ | Nominal current $I_N$ | Cross section AWG | Cross section $\text{mm}^2$ |
|-------------|-----------------------|-----------------------|-------------------|-----------------------------|
| Use group B | 150 V                 | 8 A                   | -                 | -                           |
| Use group D | 300 V                 | 8 A                   | -                 | -                           |

# DMC 1,5/19-G1-3,5 P35 - PCB header



1053836

<https://www.phoenixcontact.com/pc/products/1053836>

## Classifications

### ECLASS

|             |          |
|-------------|----------|
| ECLASS-11.0 | 27460201 |
| ECLASS-12.0 | 27460201 |
| ECLASS-13.0 | 27460201 |

### ETIM

|          |          |
|----------|----------|
| ETIM 8.0 | EC002637 |
|----------|----------|

### UNSPSC

|             |          |
|-------------|----------|
| UNSPSC 21.0 | 39121400 |
|-------------|----------|



# DMC 1,5/19-G1-3,5 P35 - PCB header



1053836

<https://www.phoenixcontact.com/pc/products/1053836>

## Environmental product compliance

|            |   |
|------------|---|
| China RoHS | Environmentally friendly use period: unlimited = EFUP-e |
|            | No hazardous substances above threshold values          |

# DMC 1,5/19-G1-3,5 P35 - PCB header



1053836

<https://www.phoenixcontact.com/pc/products/1053836>

## Accessories

### CP-DMC 1,5 NAT - Coding profile

1790647

<https://www.phoenixcontact.com/pc/products/1790647>

Coding profile, for insertion between the coding ribs of the connector and the header following the reflow soldering process, insulating material, color: natural



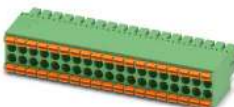
---

### DFMC 1,5/19-ST-3,5 - PCB connector

1790276

<https://www.phoenixcontact.com/pc/products/1790276>

Plug, nominal current: 8 A, rated voltage (III/2): 160 V, number of positions: 19 with 38 contacts, pitch: 3.5 mm, connection method: spring-cage connection, color: green, contact surface: tin



Phoenix Contact 2023 © - all rights reserved

<https://www.phoenixcontact.com>

PHOENIX CONTACT GmbH & Co. KG

Flachsmarktstraße 8

D-32825 Blomberg

+49 (0) 5235-3 00

[info@phoenixcontact.com](mailto:info@phoenixcontact.com)