

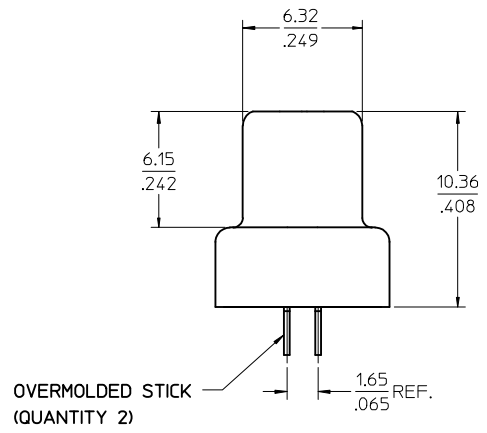
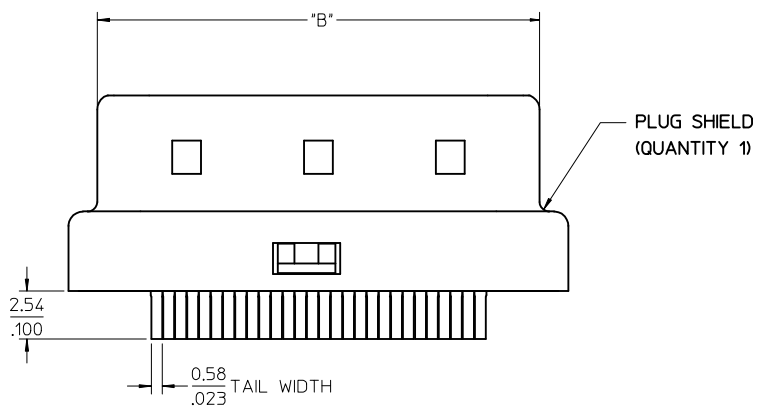
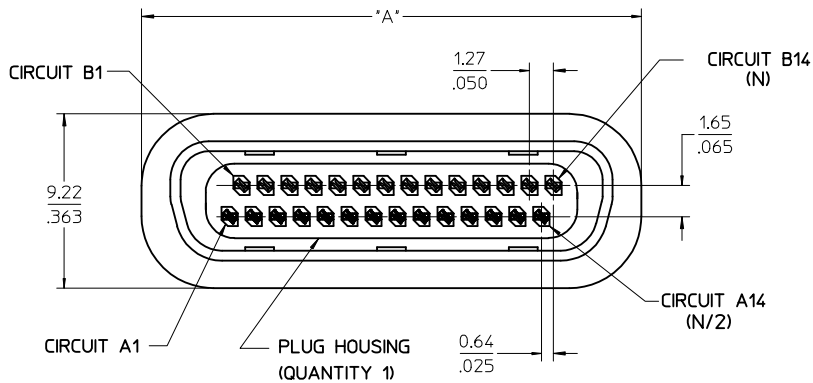
NOTES:

1. MATERIALS:

- SHIELD: DEEP DRAWN STEEL.
- HOUSING: GLASS FILLED POLYMER, COLOR: BLACK, UL 94V-0.
- CONTACTS: COPPER ALLOY, OVERMOLDED WITH GLASS FILLED POLYMER, COLOR: BLACK, UL 94V-0.2. PLATING: SHIELD: 2.54 μ METERS/100 μ NCHES MINIMUM BRIGHT TIN (Sn) OVER 1.27 μ METERS/50 μ NCHES MINIMUM NICKEL (Ni) OVER COPPER (Cu) UNDERPLATE OVERALL.
- TERMINALS: SELECTIVE GOLD (Au) IN CONTACT AREA, THICKNESS 0.38 μ METERS/15 μ NCHES MINIMUM, SELECTIVE TIN (Sn) IN TAIL AREA, THICKNESS 2.54 μ METERS/100 μ NCHES MINIMUM OVER NICKEL (Ni) UNDERPLATE OVERALL.

3. PACKAGING:

PLUG ASSEMBLIES TO BE PACKAGED IN TUBES PER PK-75000-991.



75000-1028	28	26.47 1.042	23.42 .922
75000-1048	48	39.17 1.542	36.12 1.422
MAT'L NUMBER	CIRCUIT SIZE	*A* DIM.	*B* DIM.

REMOVED SHEET 2	QUALITY SYMBOLS
EC NO: UCP2009-3097	▽=0
DRWN: JANTELEZ10 2009/06/23	▽=0
CHKD: 2009/08/14	
APPR: MBANAKIS 2009/08/14	
DESCRIPTION	
REV	

GENERAL TOLERANCES (UNLESS SPECIFIED)
4 PLACES ± --- ± ---
3 PLACES ± --- ± .010
2 PLACES ± 0.25 ± ---
1 PLACE ± --- ± ---
ANGULAR ± 1/2°
DRAFT WHERE APPLICABLE MUST REMAIN WITHIN DIMENSIONS

DIMENSION STYLE	
MM/IN	
DRAWN BY	DATE
TMCCLELL	02/02/11
CHECKED BY	DATE
SCHMIDGA	02/09/13
APPROVED BY	DATE
BANAKIS	02/09/13
MATERIAL NO.	
SEE CHART	
SIZE	
C	

SCALE	DESIGN UNITS	THIRD ANGLE PROJECTION
5:1	INCH	
TITLE		
SALES DRAWING - TDP TRIAD DIFFERENTIAL PAIR PLUG CONNECTOR		
MOLEX MOLEX INCORPORATED		SHEET NO.
SD-75000-001		1 OF 1
THIS DRAWING CONTAINS INFORMATION THAT IS PROPRIETARY TO MOLEX INCORPORATED AND SHOULD NOT BE USED WITHOUT WRITTEN PERMISSION		