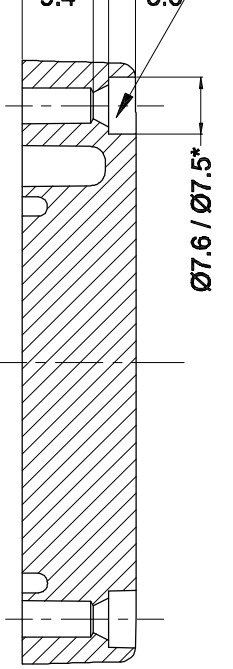
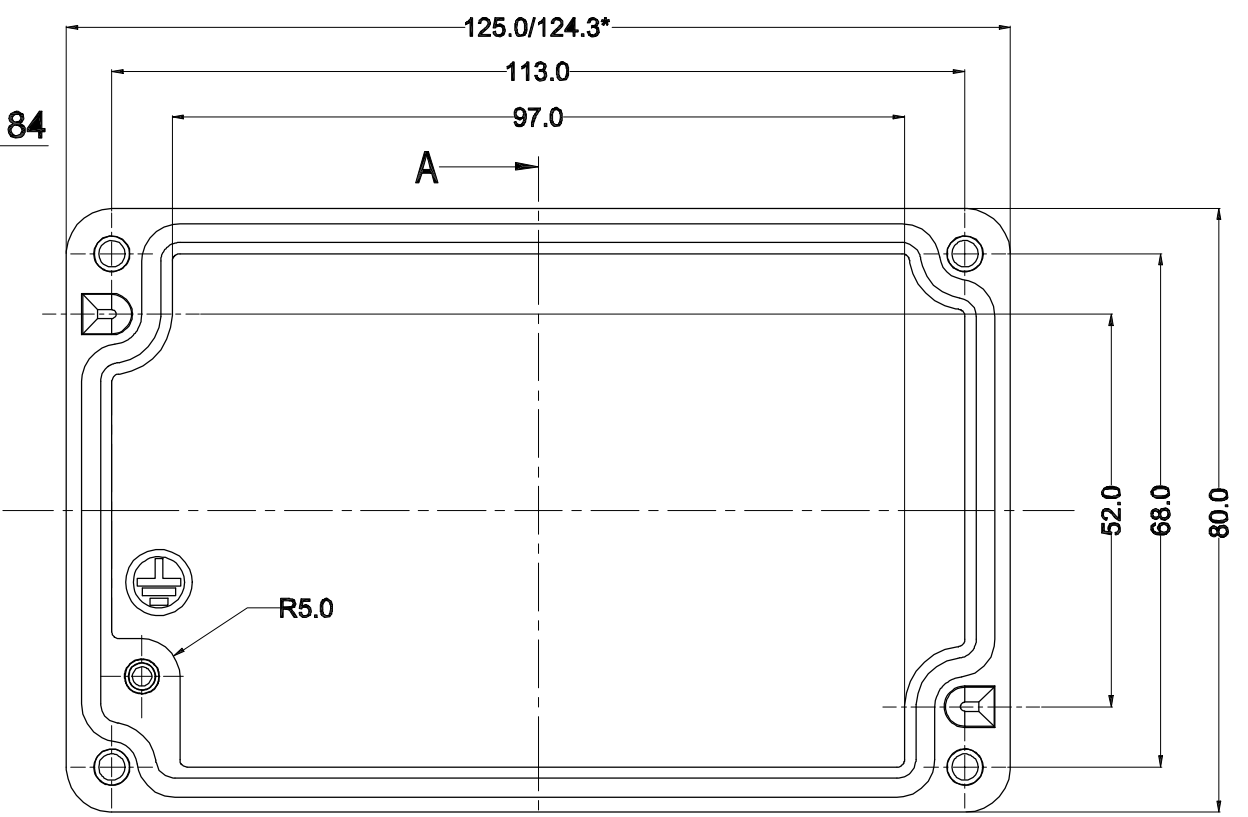


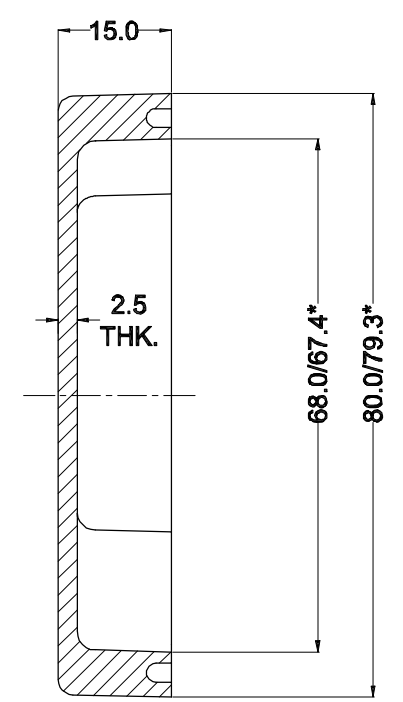
Cylinder Screw
M4 x 20/7 similar to DIN 84



LID

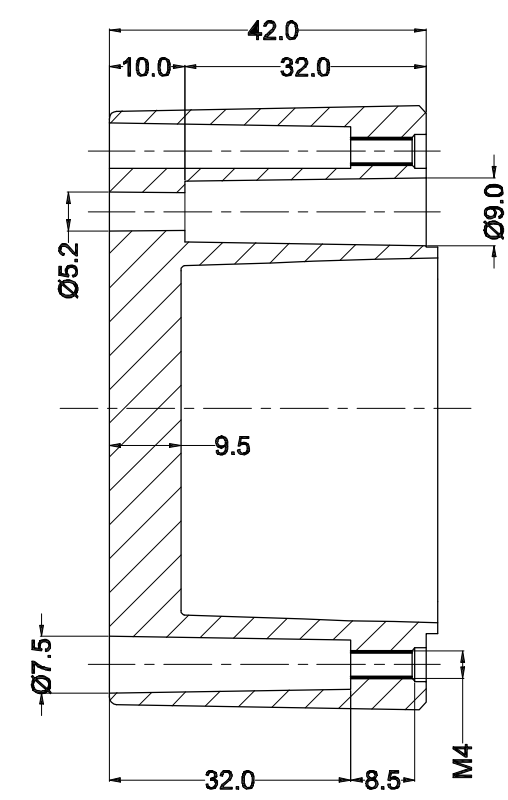
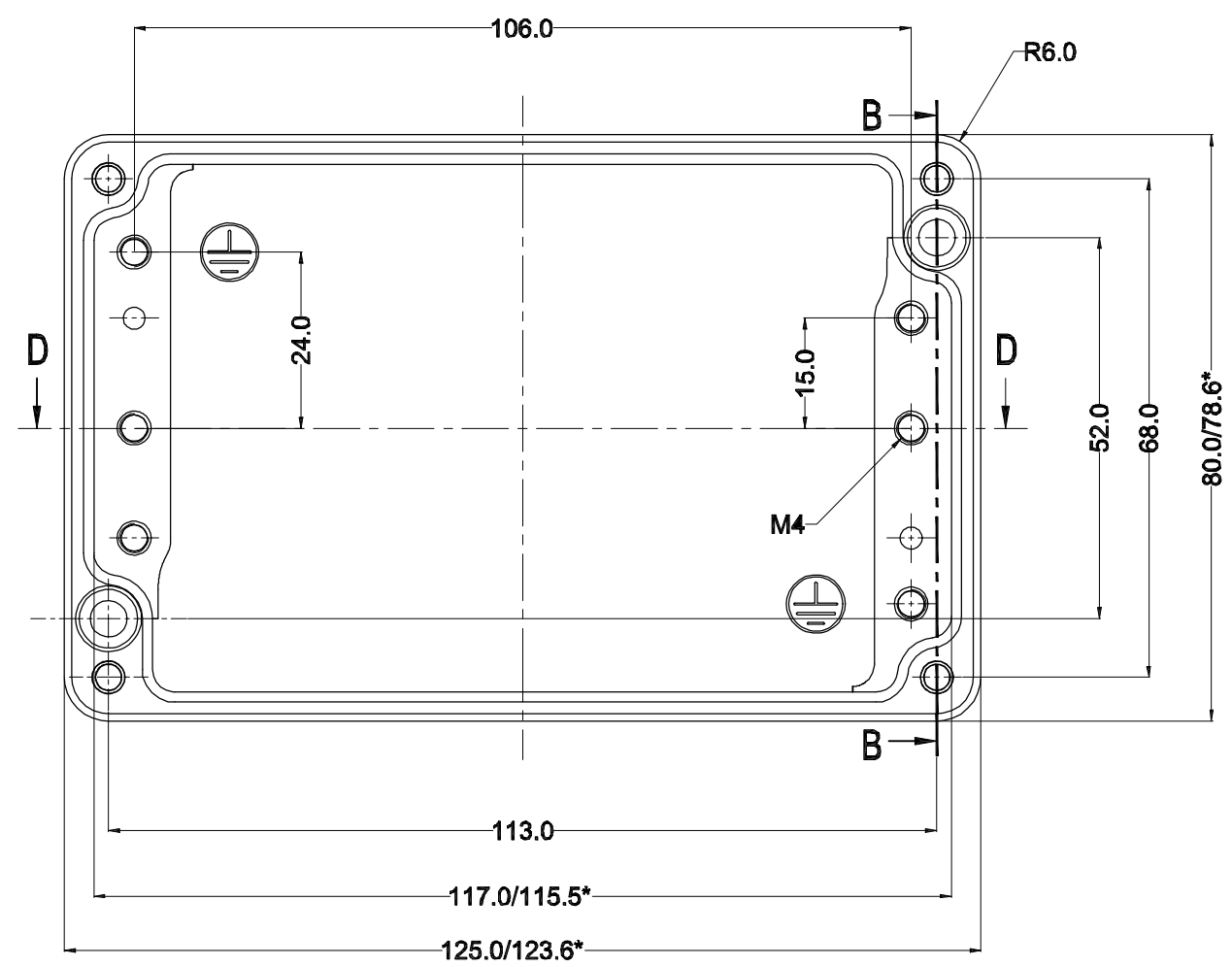


SECTION A-A

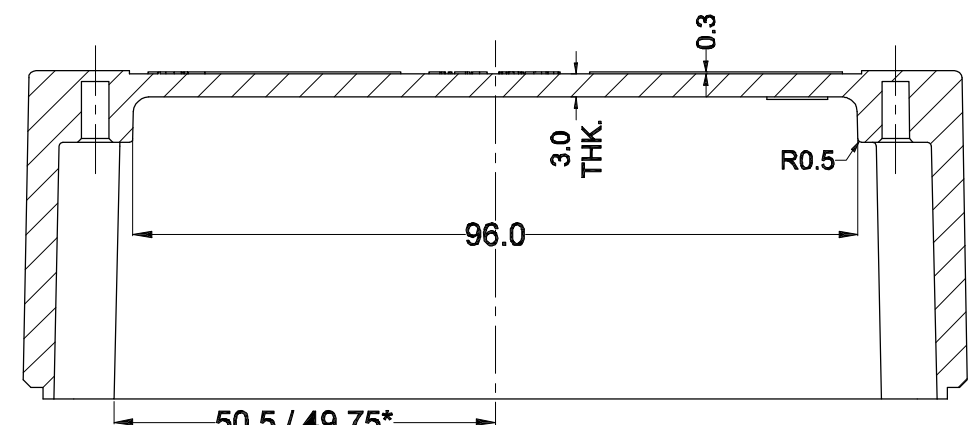
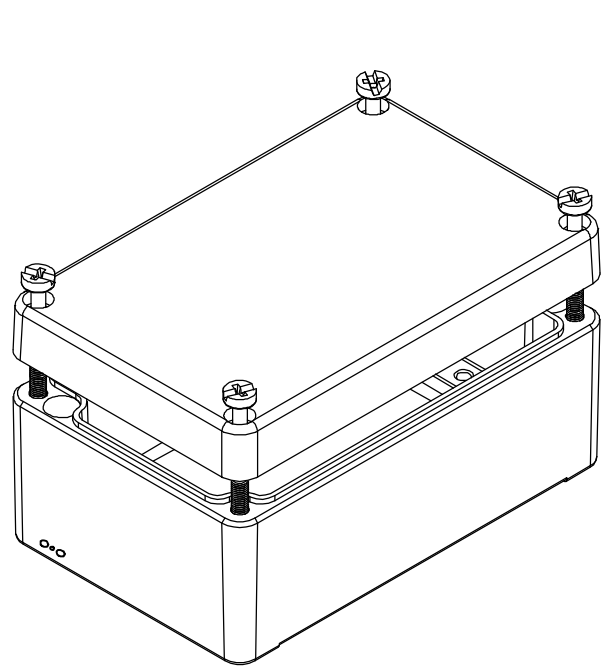
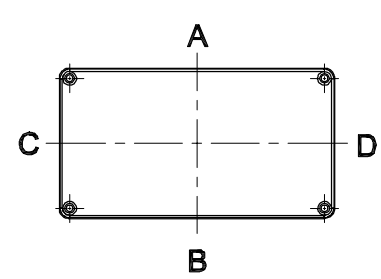


SECTION A-A

BASE



SECTION B-B



SECTION D-D

GENERAL SPECIFICATION AND AREA CLASSIFICATION:

1. MATERIAL COMPOSITION - AISI 12
2. DEGREE OF PROTECTION IP66 AS PER IEC 60529 : 1989 +A1 : 2000
3. SERVICE TEMPERATURE RANGE : - 50 °C to +135 °C
4. ALL DIMENSIONS ARE IN mm. UNLESS STATED OTHERWISE.
5. SURFACE WILL BE POWDER COATED.(RAL-7001)
6. THE JUNCTION BOX WILL BE MARKED WITH
7. II 2 G Ex e IIC Gb
II 2 D Ex tb IIC Db IP 66
0539
DEMKO 13 ATEX 132771U
IECEX UL 13.0042U

8. TRADE MARK

NOT TO BE REVISED WITHOUT NOTIFICATION TO THE ExCB/NOTIFIED BODY

| Opening Detail (Size) | NO OF HOLES SIDE A/B | Min. Distance between the opening for Side A/B (mm) | NO OF HOLES SIDE C/D | Min. Distance between the opening for Side C/D (mm) | Opening Detail (Size) PG | NO OF HOLES SIDE A/B | Min. Distance between the opening for Side A/B (mm) | NO OF HOLES SIDE C/D | Min. Distance between the opening for Side C/D (mm) | Min. Distance of last opening from the enclosure end on side A/B (mm) | Min. Distance of last opening from the enclosure end on side C/D (mm) |
|-----------------------|----------------------|---|----------------------|---|--------------------------|----------------------|---|----------------------|---|---|---|
| M12 | 5 | 13 | 2 | 13 | Pg.7 | 5 | 13 | 2 | 13 | 16 | 16 |
| M16 | 4 | 11 | 2 | 11 | Pg.9 | 6 | 8 | 2 | 9 | 14 | 22 |
| M20 | 3 | 10 | 2 | 9 | Pg.11 | 3 | 9 | 2 | 9 | 20 | 19 |
| M25 | 2 | 8.5 | 1 | - | Pg.13.5 | 3 | 10 | 2 | 8 | 18 | 25 |
| M32 | - | - | - | - | Pg.16 | 2 | 12 | 1 | - | 16 | 24 |
| M40 | - | - | - | - | Pg.21 | 2 | 16 | - | - | 25 | - |
| M50 | - | - | - | - | Pg.29 | - | - | - | - | - | - |
| M63 | - | - | - | - | Pg.36 | - | - | - | - | - | - |
| - | - | - | - | - | Pg.42 | - | - | - | - | - | - |
| - | - | - | - | - | Pg.48 | - | - | - | - | - | - |

FINISH:
GRAY TEXTURE POWDERCOAT RAL 7001

OPTIONAL ACCESSORIES:
STEEL MOUNTING PLATE #MPX-506
ALUMINUM MOUNTING PLATE #MPX-506-A
EXTERNAL BRACKETS KIT #MTX-6512

DRAWING FOR REFERENCE
WE RESERVE THE RIGHT TO MAKE CHANGES TO OUR STANDARD PRODUCTS. PLEASE CONSULT WITH BUD INDUSTRIES PRIOR TO USING THIS DRAWING FOR DESIGN PURPOSE.

ALL DIMENSIONS ARE IN MM

| SR.NO. | PART NAME | DRAWING NO. | MATERIAL | QTY |
|--------|-------------------------------|-----------------|------------------|-----|
| 5 | SILICON GASKATE | JB-02GSK-06 | SILICON | 1 |
| 4 | JB EXTERNAL EARTHING SET | - | AISI 304 | 1 |
| 3 | LID MOUNTING SCREW | M4 JB-SCR-LD-00 | AISI 304 | 4 |
| 2 | JB-EARTHING SCREW | - | MS COPPER PLATED | 2 |
| 1 | JUNCTION BOX Ex-125 x 80 x 57 | Ex-1258057 | AISI 12 | 1 |

B.D.M.

PROPERTY OF RaychemRPG (P) LTD.
ALL RIGHTS RESERVED AND/OR PHOTOCOPYING THIS DOCUMENT TO A PERSON WITHOUT RaychemRPG (P) LTD. WRITTEN AUTHORIZATION IS PROHIBITED

| | | | | | | |
|--|-----------|---------------------------|----------|----------------------------|-----------|----------|
| | PART NAME | EXPLOSION PROOF ENCLOSURE | PART No. | ATX-10506 (Ex-AJB-1258057) | REV. DATE | 10-27-15 |
|--|-----------|---------------------------|----------|----------------------------|-----------|----------|