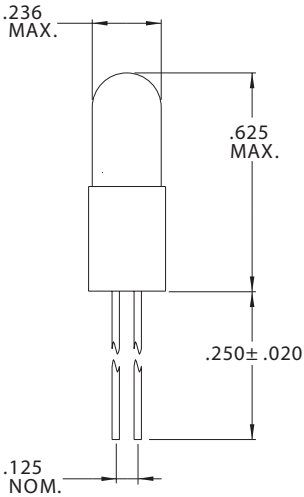


## T-1 3/4 Bi-Pin Base (.125")



| Part Number | Design Voltage | Amps | MSCP | Life Hours | Filament Type |
|-------------|----------------|------|------|------------|---------------|
| CM2332      | 14.0           | .080 | .300 | 50,000     | C-2F          |
| CM2335      | 14.0           | .080 | .300 | 15,000     | C-2F          |
| CM7330      | 14.0           | .080 | .500 | 1,500      | C-2R          |
| CM7373      | 14.0           | .100 | .500 | 10,000     | C-2F          |
| CM7382      | 14.0           | .080 | .300 | 15,000     | C-2F          |
| CM7410      | 14.0           | .100 | .500 | 15,000     | C-2F          |
| CM7003      | 15.0           | .040 | .750 | 2,000      | C-2F          |
| CM2311      | 18.0           | .040 | .250 | 1,000      | C-2F          |
| CM2316      | 18.0           | .040 | .150 | 10,000     | C-2F          |
| CM7370      | 18.0           | .040 | .150 | 10,000     | C-2F          |
| CM7459      | 22.0           | .040 | .300 | 2,000      | C-2F          |
| CM2313      | 24.0           | .050 | .600 | 1,000      | C-2F          |
| CM2341      | 24.0           | .060 | .500 | 5,000      | C-2F          |
| CM7001      | 24.0           | .050 | .500 | 1,000      | C-2F          |
| CM2312      | 28.0           | .040 | .340 | 1,000      | C-2F          |
| CM2314      | 28.0           | .050 | .700 | 1,000      | C-2F          |
| CM2324      | 28.0           | .040 | .340 | 4,000      | C-2F          |
| CM2325      | 28.0           | .040 | .340 | 1,000      | C-2F          |
| CM2329      | 28.0           | .047 | .340 | 2,500      | C-2F          |
| CM2342      | 28.0           | .040 | .300 | 25,000     | C-2F          |
| CM7136      | 28.0           | .024 | .150 | 4,000      | CC-2F         |
| CM7327      | 28.0           | .040 | .340 | 4,000      | C-2F          |
| CM7374      | 28.0           | .040 | .150 | 10,000     | C-2F          |
| CM7376      | 28.0           | .065 | .650 | 5,000      | C-2F          |
| CM7387      | 28.0           | .040 | .300 | 7,000      | C-2F          |
| CM7876      | 28.0           | .060 | .340 | 25,000     | C-2F          |
| CM7748      | 48.0           | .025 | .200 | 5,000      | CC-2F         |