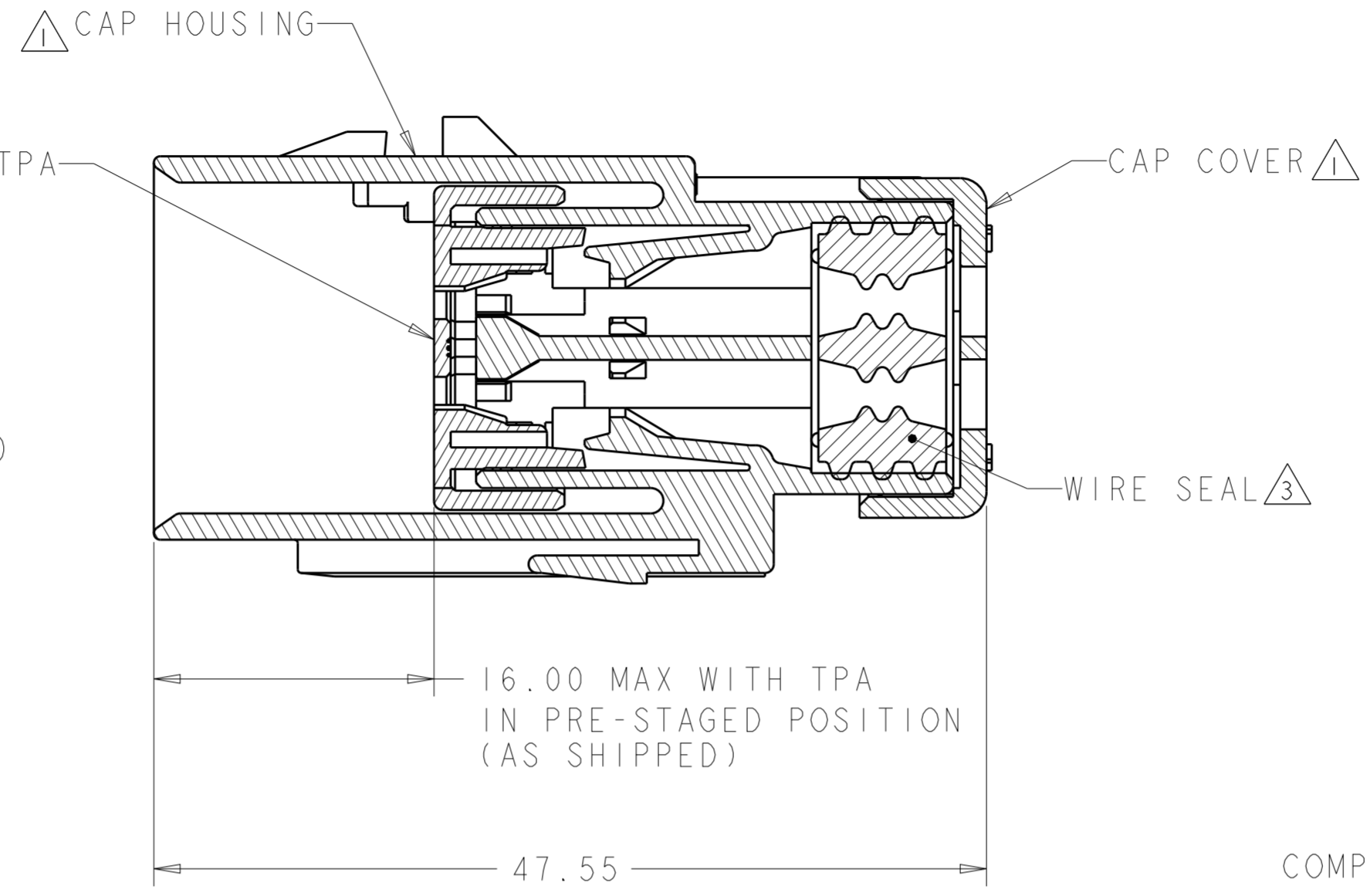
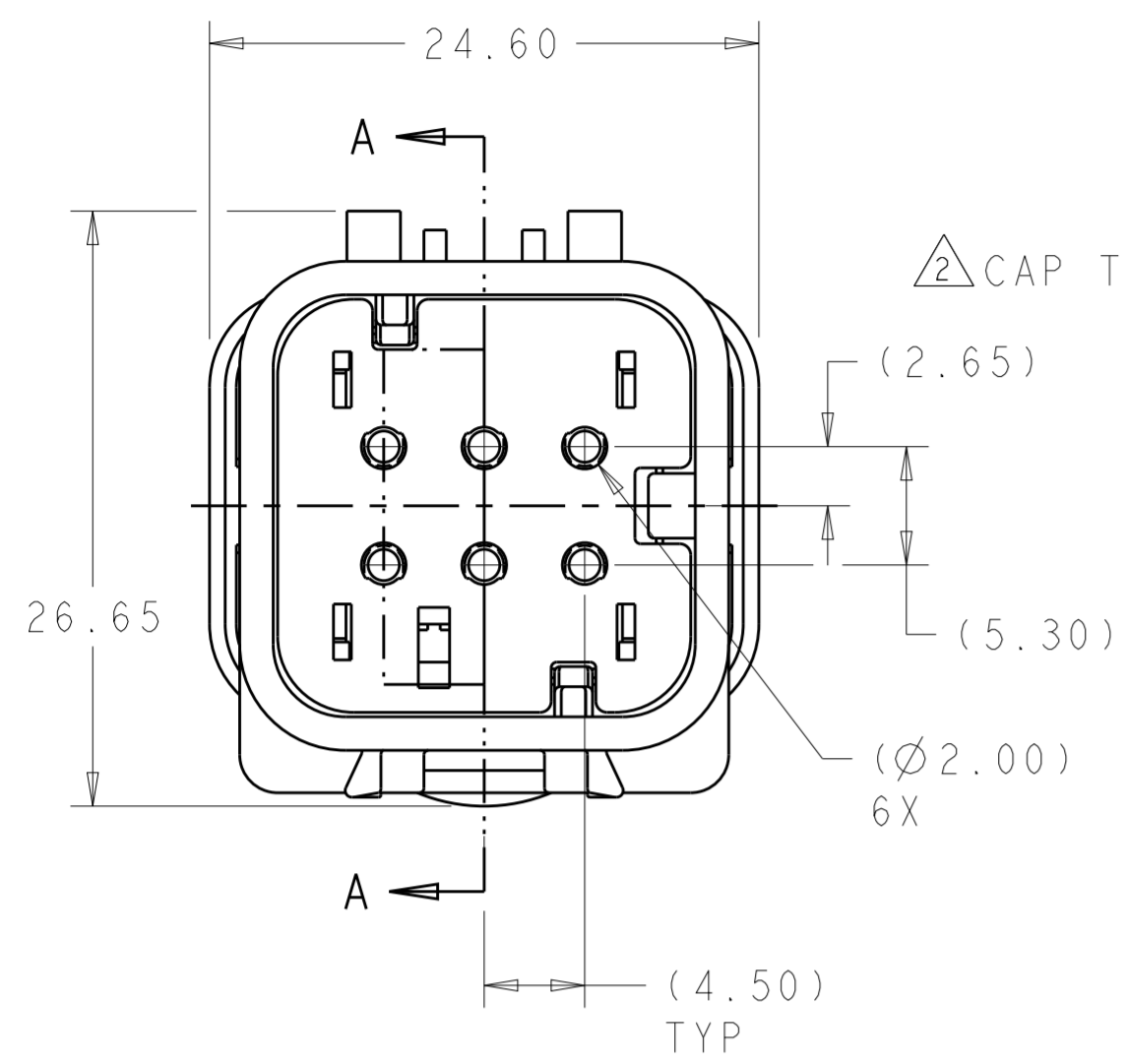


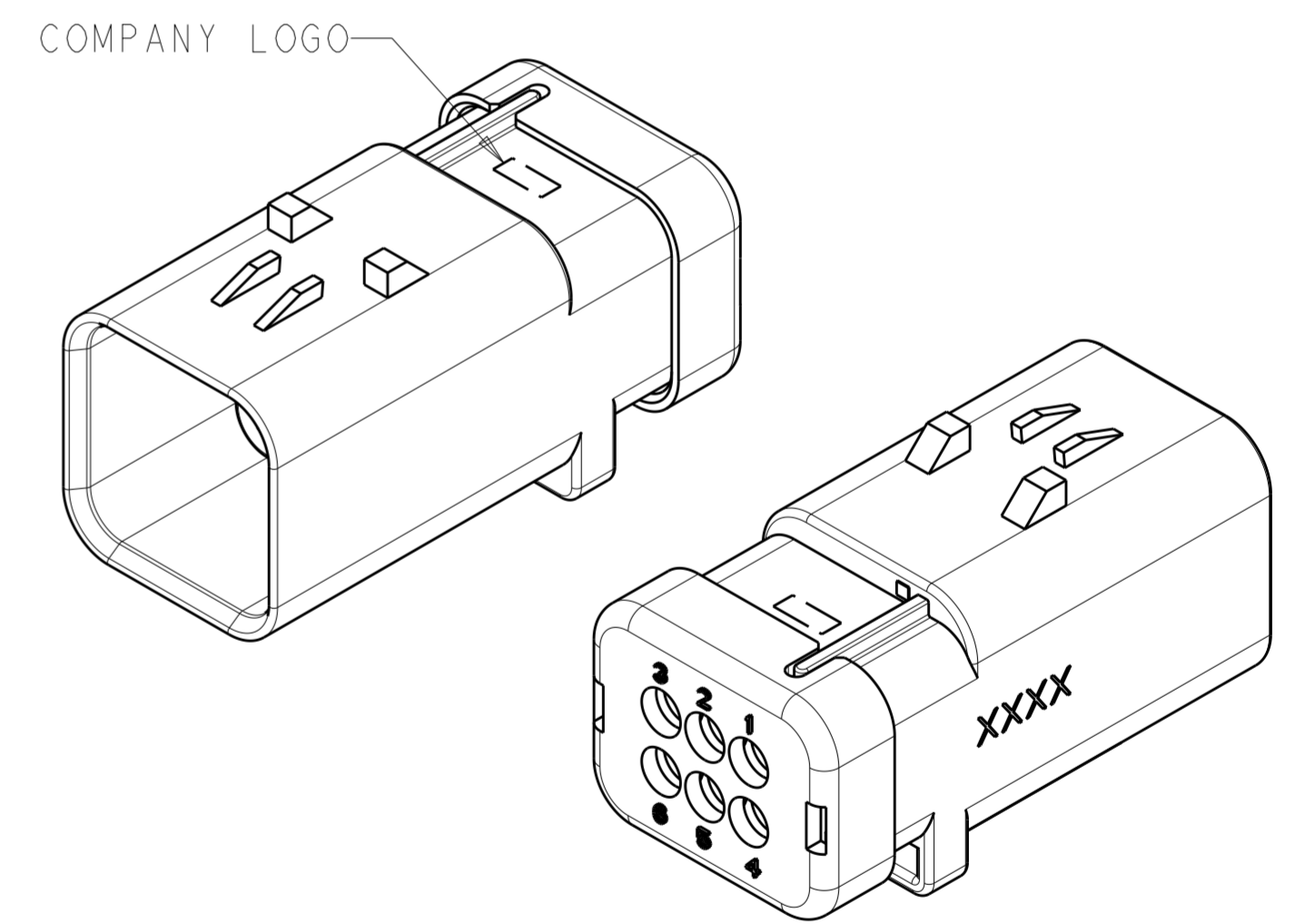
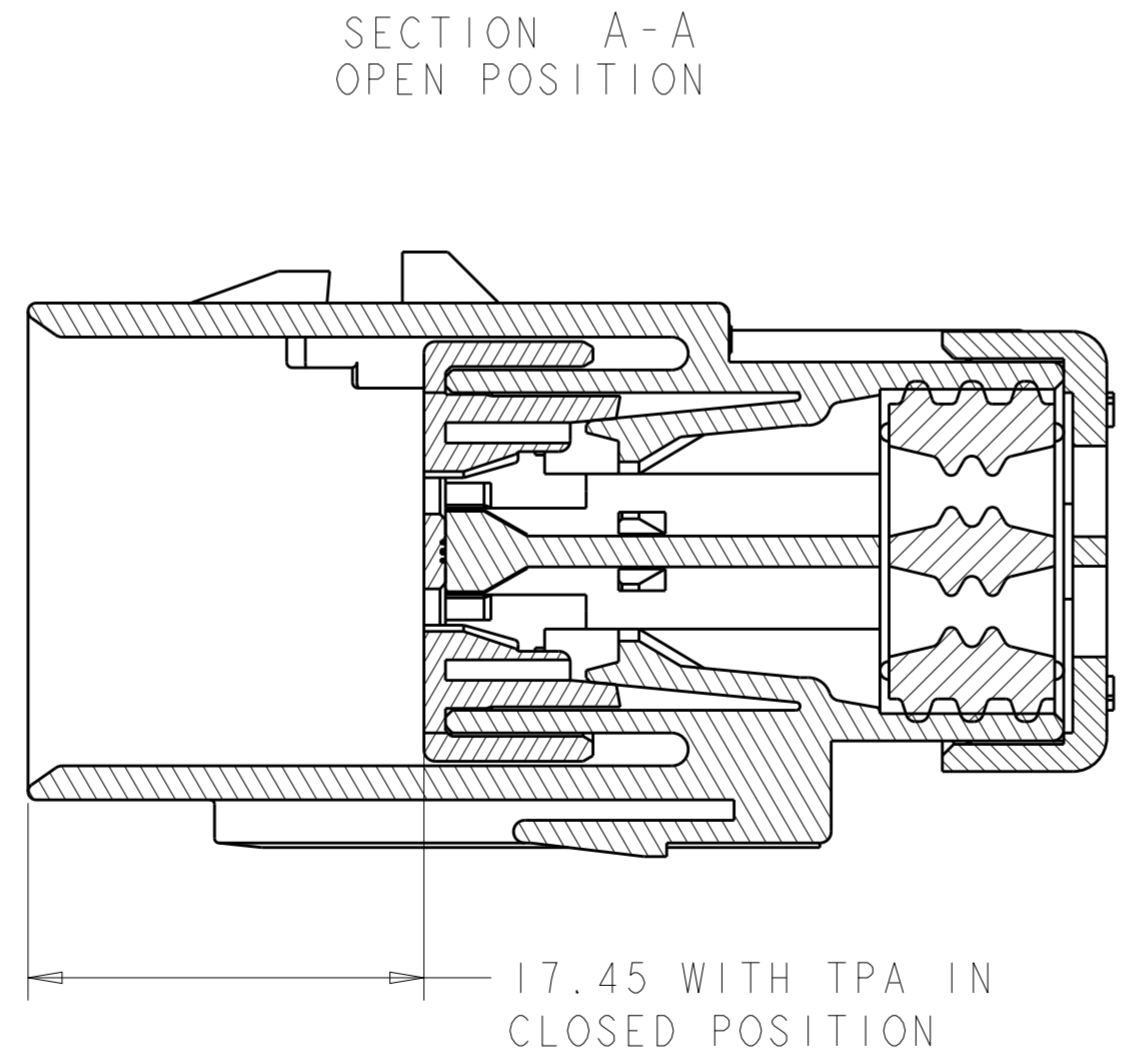
THIS DRAWING IS UNPUBLISHED. RELEASED FOR PUBLICATION 20  
 © COPYRIGHT 20 BY - ALL RIGHTS RESERVED.

REVISIONS				
P	LTR	DESCRIPTION	DATE	APVD
A		RELEASED PER ECO-10-009942	28MAY2010	DD RB
B		REVISED PER ECO-13-019865	27DEC2013	DR RB



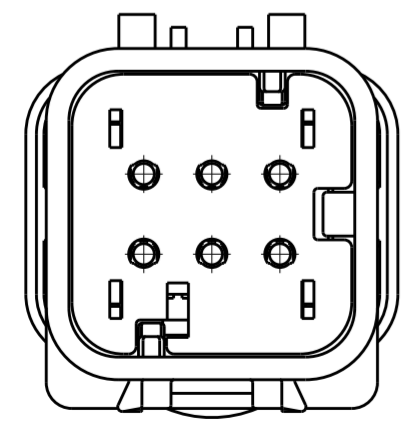
- 1 HOUSING AND COVER MATERIAL: 25% GLASS FILLED THERMOPLASTIC; COLOR: NATURAL (BROWN)
- 2 TPA MATERIAL: 15% GLASS FILLED THERMOPLASTIC COLOR: (SEE TABLE)
- 3 SEAL MATERIAL: SILICONE COLOR: MARINE BLUE
- 4. RECOMMENDED WIRE DIAMETER RANGE IS 2.18-3.67 MM

2098241-1 SHOWN  
ORANGE TPA  
KEY A

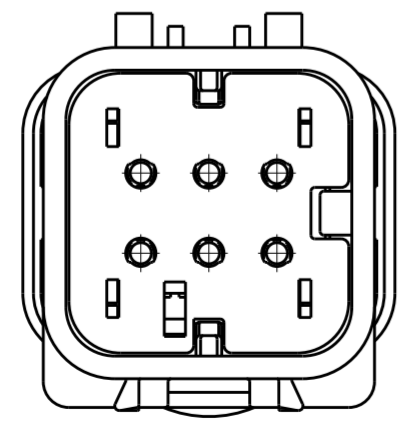


SCALE 2:1

C	BLUE	2098241-3
B	PURPLE	2098241-2
A	ORANGE	2098241-1
KEY	TPA COLOR	PART NUMBER



2098241-2  
PURPLE TPA  
KEY B  
SCALE 2:1



2098241-3  
BLUE TPA  
KEY C  
SCALE 2:1

SECTION A-A  
CLOSED POSITION

THIS DRAWING IS A CONTROLLED DOCUMENT.

DIMENSIONS: mm	TOLERANCES UNLESS OTHERWISE SPECIFIED: 0 PLC ± 1 PLC ±0.5 2 PLC ±0.30 3 PLC ± 4 PLC ± ANGLES ± FINISH -	DWN 05 JUN 2009 RUSTY WORTHINGTON	NAME CAP ASSEMBLY, 6 POSITION, DUAL ROW, AMPSEAL 16, VO MATERIAL
		CHK 05 JUN 2009 ROGER BALTER	
MATERIAL	FINISH	APVD 05 JUN 2009 ROGER BALTER	SIZE CAGE CODE DRAWING NO A200779 C-2098241
		PRODUCT SPEC 108-2184	RESTRICTED TO
MATERIAL FINISH		APPLICATION SPEC 114-13065	SCALE 3:1 SHEET 1 OF 1 REV B
MATERIAL FINISH		WEIGHT 15.5±1g	CUSTOMER DRAWING