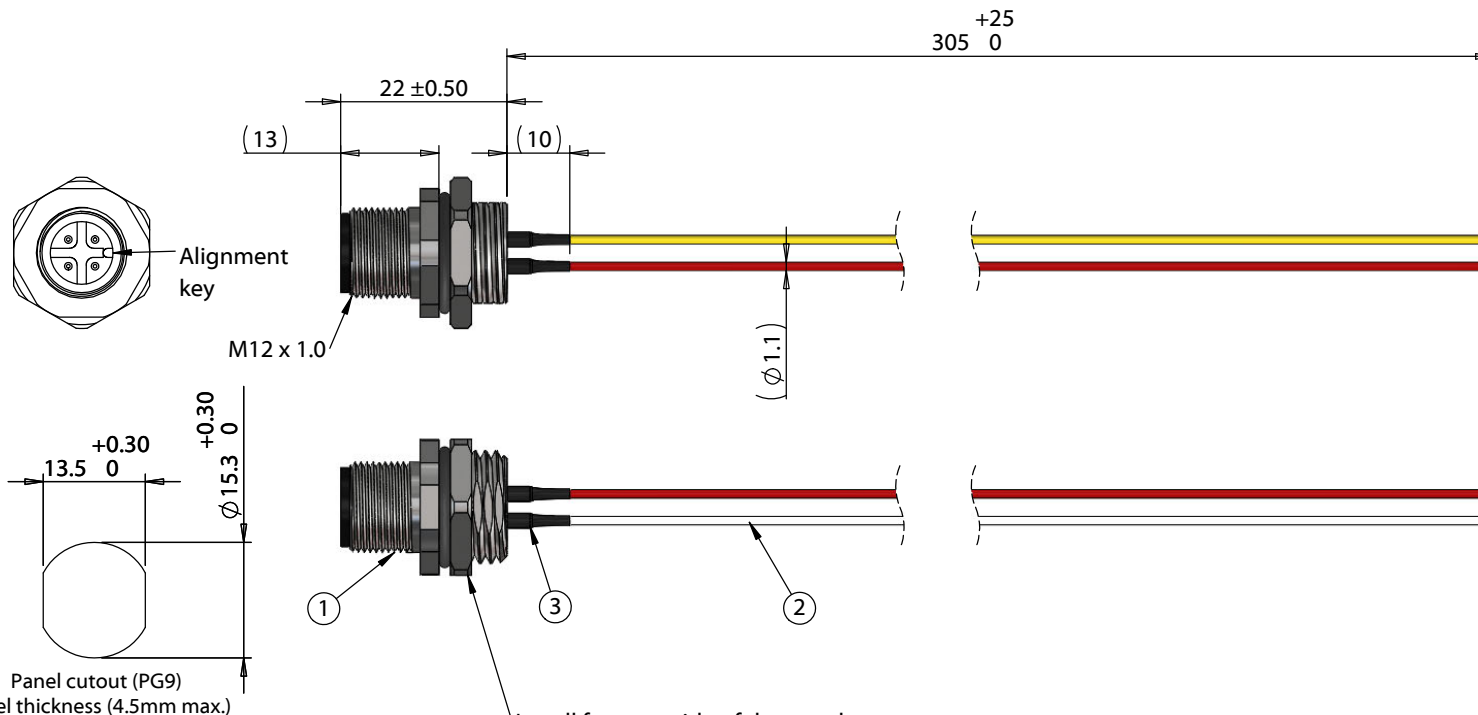


ITEM NO.	PART NUMBER	DESCRIPTION	QTY.	COMPONENT NOTES
1	54-00188	Connector, 4 pin M12 A-code plug, 12xL24mm, gold plated, panel mount, solder cup, IP67	1	nut and o-ring included
2	Wire	Wire, hook-up, TS, 24 AWG, UL 11028, 600V, 105C, 1.1 mm, mPPE	4	color: red, yellow, black, white
3	Heat shrink	Heat shrink, UL, black	4	covers solder joints

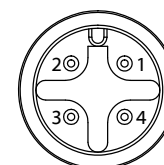


**Notes:**  
 Cable rated for 250 V, 4 A  
 Temperature: -40 ~ 105 °C

IP67 waterproof rating when mated with corresponding (IP67) connector and installed properly in panel

Cables individually packaged in PE bag  
 Functionally equivalent components may be substituted

Install from outside of the panel,  
 attach nut and tighten from within.



Front View  
 Not to Scale

Wiring Diagram	
54-00188	wire color (P/N)
1	red (30-01762)
2	yellow (30-01765)
3	black (30-01763)
4	white (30-01764)

Revision:	Date:	Description:	Prepared:	Notes:	<h1>TENSILITY</h1>
A	4/19/2021	Initial release	AG <small>Digitally signed by AG Date: 2021.04.19 11:18:31 -07'00'</small>		
			Verified:	Function test: no open, no short circuit, no intermittent	tel 1.541.323.3228 800 877.670.7118 fax 1.541.323.4202 web tensility.com
			AW <small>Digitally signed by AW Date: 2021.04.21 14:03:43 -07'00'</small>		
			Dimensions are in millimeters. Tolerances: X: ± 0.5 mm X.X: ± 0.3 mm X.XX: ± 0.05 mm	Description:	Size:
				Cable, 305 mm, M12 4C plug panel mount 54-00188 to blunt cut, 24 AWG, UL 11028 hook-up wire	A
					Part number:
					10-04032
					Scale: 1:1
					Sheet 1 of 1

5

4

3

2

1