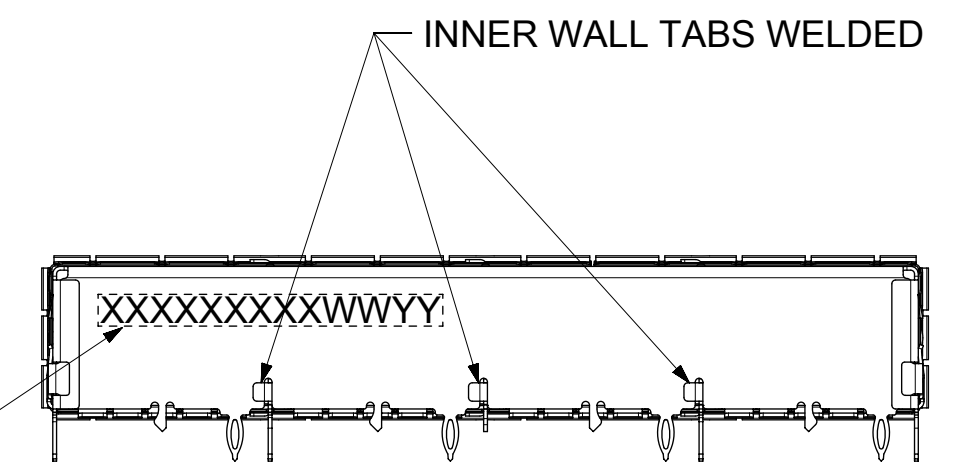
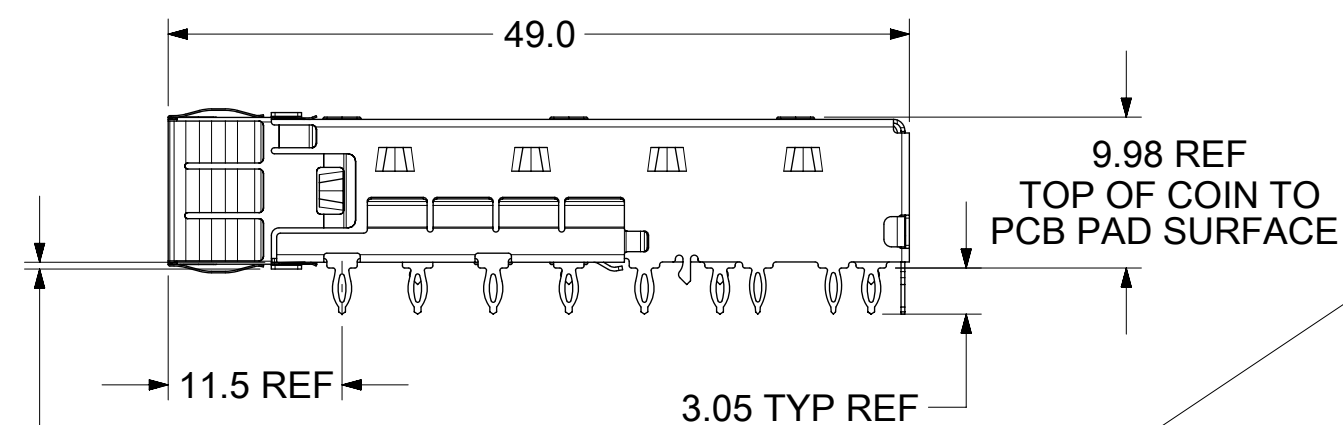
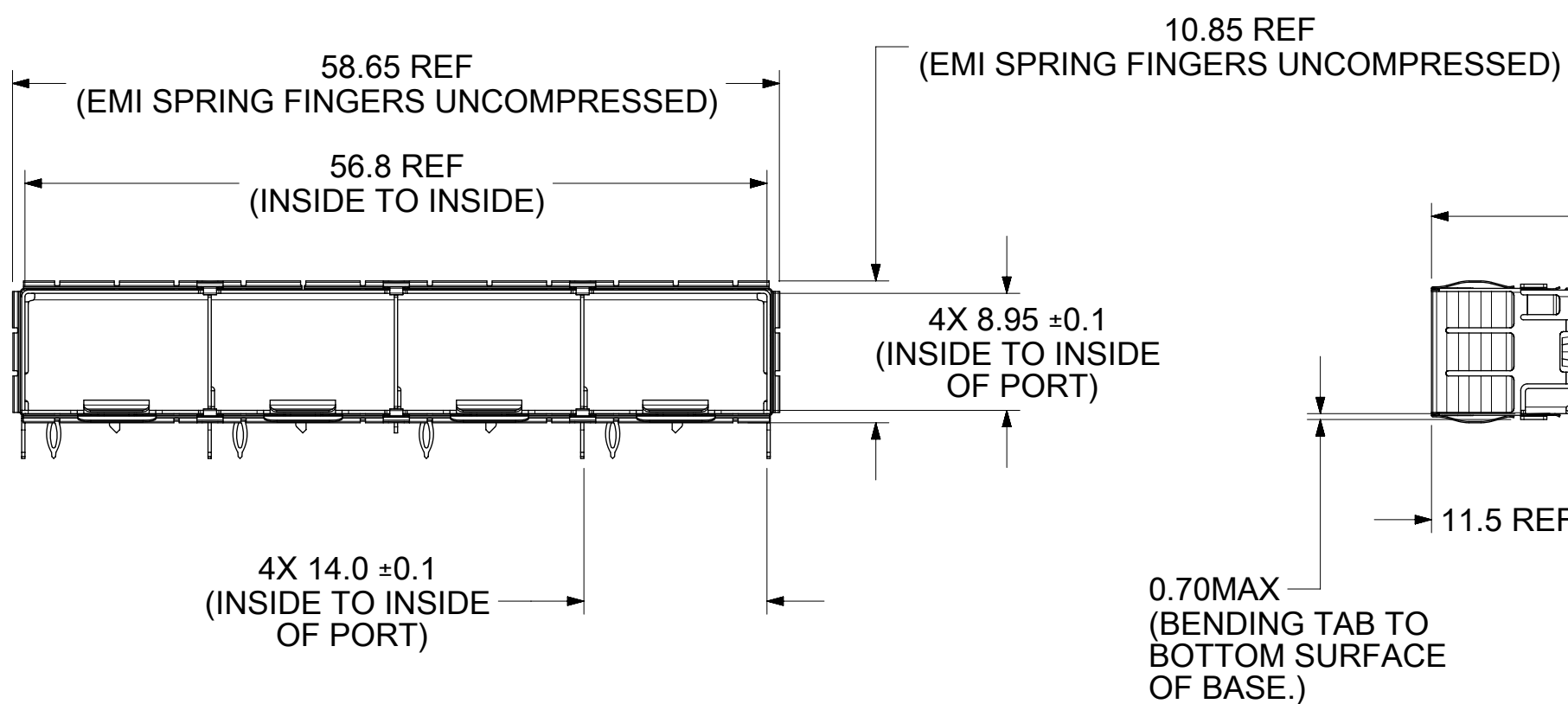
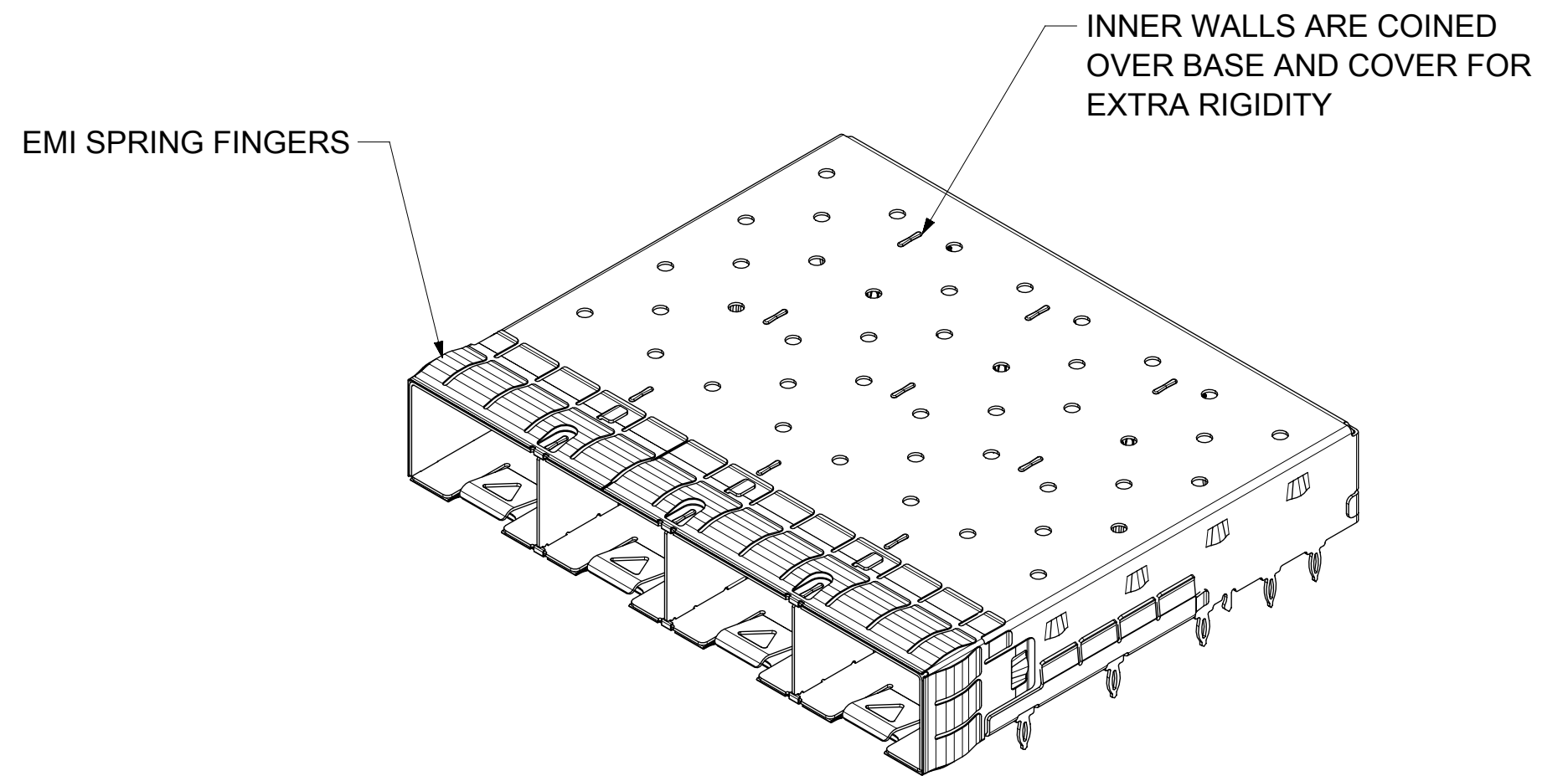
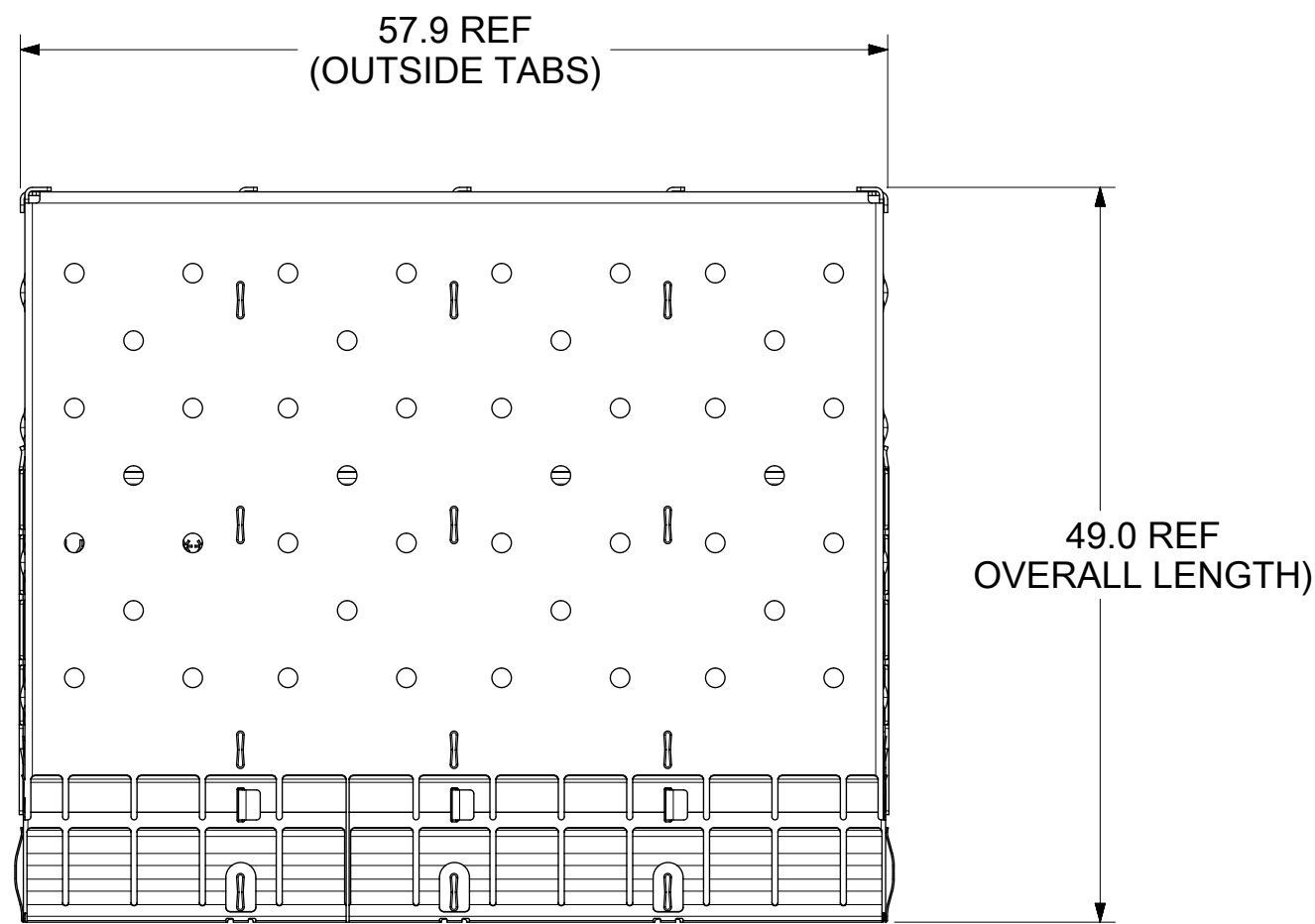


BASE CAGE DETAILS

(APPLIES TO ALL CAGES IN THIS DRAWING)

747548420

SHOWN



PART NO. AND WEEK/YEAR DATE CODE TO BE PRINTED ON THE BACK OF COMPLETED CAGE ASSEMBLY APPROXIMATELY AS SHOWN ON 74754 SERIES CAGE ASSEMBLIES.

NOTES:

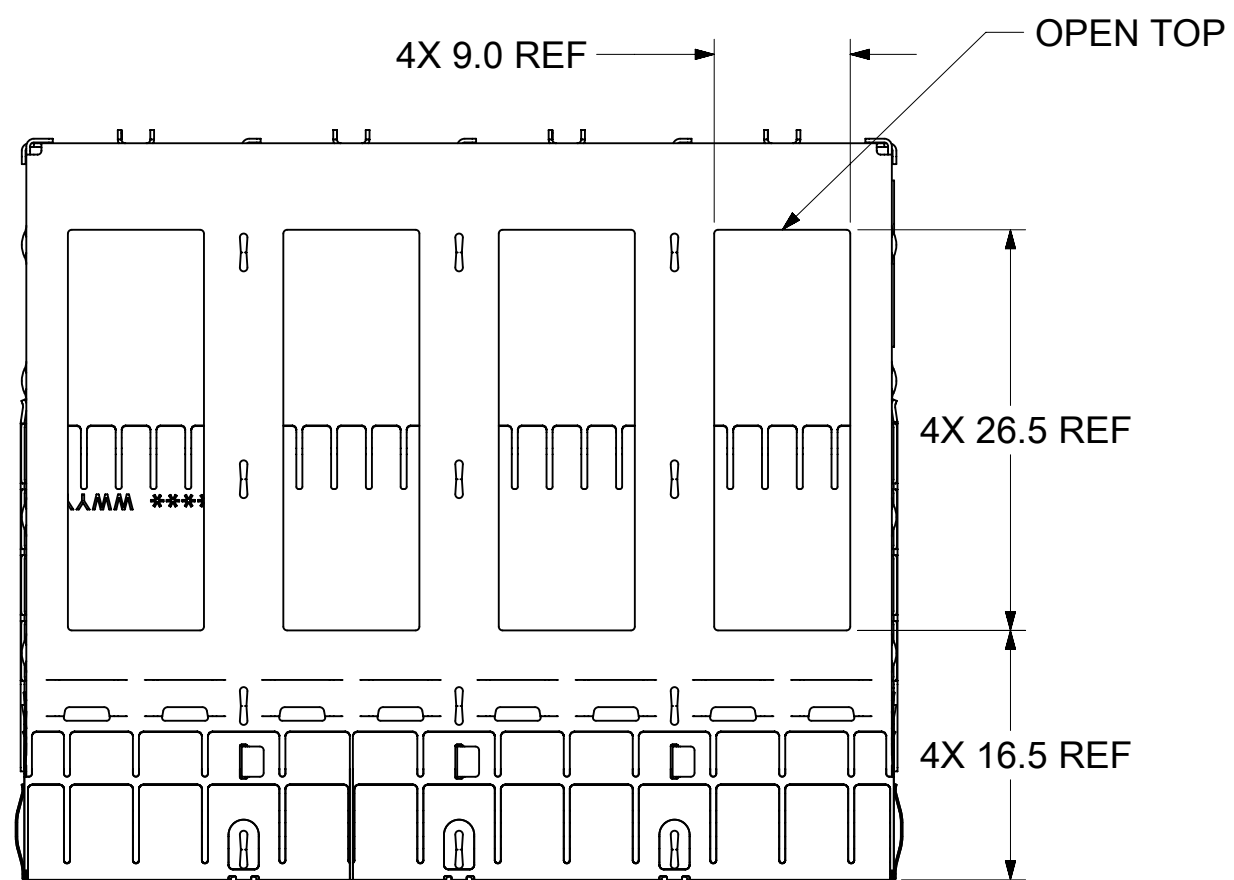
- MATERIAL:**
 CAGE: 0.25mm THICK COPPER ALLOY, NICKEL PLATED.
 SPRING FINGERS: STAINLESS STEEL
 HEATSINK: ALUMINUM, NICKEL PLATED.
 HEATSINK SPRING CLIP: STAINLESS STEEL.
- PRESS FIT LEGS 3.05mm LONG:**
- PORTS ARE DESIGNED FOR SFP+ TRANSCEIVERS AND ARE COMPATIBLE WITH SFP TRANSCEIVERS.**
 THE TOP SURFACE OF THE MODULE MUST BE FLAT (NO PRODUCT LABEL RECESS)
 AND THERMALLY CONDUCTIVE TO FUNCTION OPTIMALLY.
- WELD SPOT MAY SHOW SLIGHT MATERIAL DISCOLORATION.**
- NO RoHS EXEMPTIONS.**
- CUSTOM HEATSINKS AVAILABLE UPON REQUEST.**

WEEK/YEAR DATE CODE TABLE	
WW	01 THRU 52 OR 53 EXAMPLE: 01 = FIRST WEEK OF YEAR 52 = LAST WEEK OF YEAR
YY	22, 23, 24,, ETC. EXAMPLE: YEAR 2022 = 22

FUNCTIONAL SYMBOLS		THIS DRAWING CONTAINS INFORMATION THAT IS PROPRIETARY TO MOLEX ELECTRONIC TECHNOLOGIES, LLC AND SHOULD NOT BE USED WITHOUT WRITTEN PERMISSION		CURRENT REV DESC: SEE REVISION TABLE	
$\nabla_A = 0$	DIMENSION UNITS	SCALE			
	mm	2:1			
$\nabla_E = 0$	GENERAL TOLERANCES (UNLESS SPECIFIED)				
$\nabla_P = 0$	ANGULAR TOL ± 1.0°				
DIVISIONAL SYMBOLS		4 PLACES ±		EC NO: 706897	
		3 PLACES ±		DRWN: ABHILT2 2022/05/04	
		2 PLACES ± 0.15		CHK'D: TKUMARKC 2022/05/16	
		1 PLACE ± 0.25		APPR: SCHIEN 2022/05/19	
		0 PLACES ±		INITIAL REVISION:	
		DRAFT WHERE APPLICABLE MUST REMAIN WITHIN DIMENSIONS		DRWN: ABHILT2 2022/05/04	
		THIRD ANGLE PROJECTION		APPR: SCHIEN 2022/05/19	
		DRAWING		SERIES	
		C-SIZE		111112	
		MATERIAL NUMBER		CUSTOMER	
		SEE SHEET 3			
		DOCUMENT NUMBER		DOC TYPE DOC PART REVISION	
		111128320		PSD ASY A	
		SHEET NUMBER		1 OF 7	

DOCUMENT STATUS	P1	RELEASE DATE	2022/05/19 07:40:31
-----------------	----	--------------	---------------------

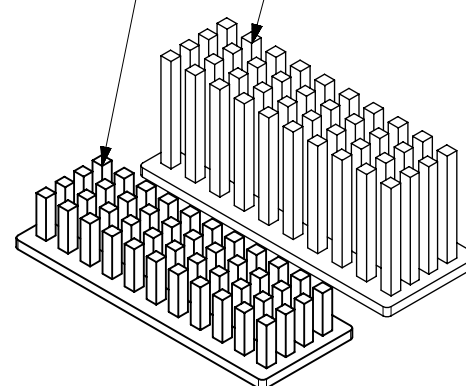
CAGE ASSEMBLY OPTIONS



HEATSINK OPTIONS

PIN FIELD NETWORKING

PIN FIELD SAN



OVERALL HEATSINK HEIGHT

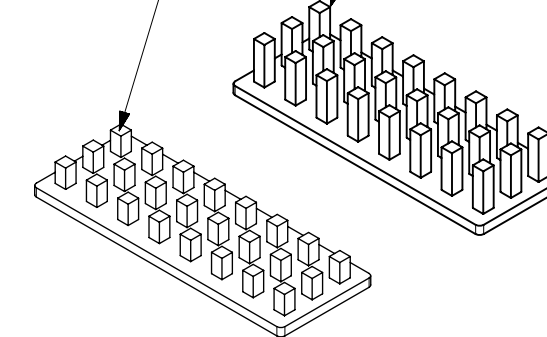
APPLICATION	DIM 'A'
SAN	16.6
NETWORKING	23.6

NOTE: PCI-13ROWS
SAN-11ROWS
NETWORKING-10ROWS

HEATSINK OPTIONS

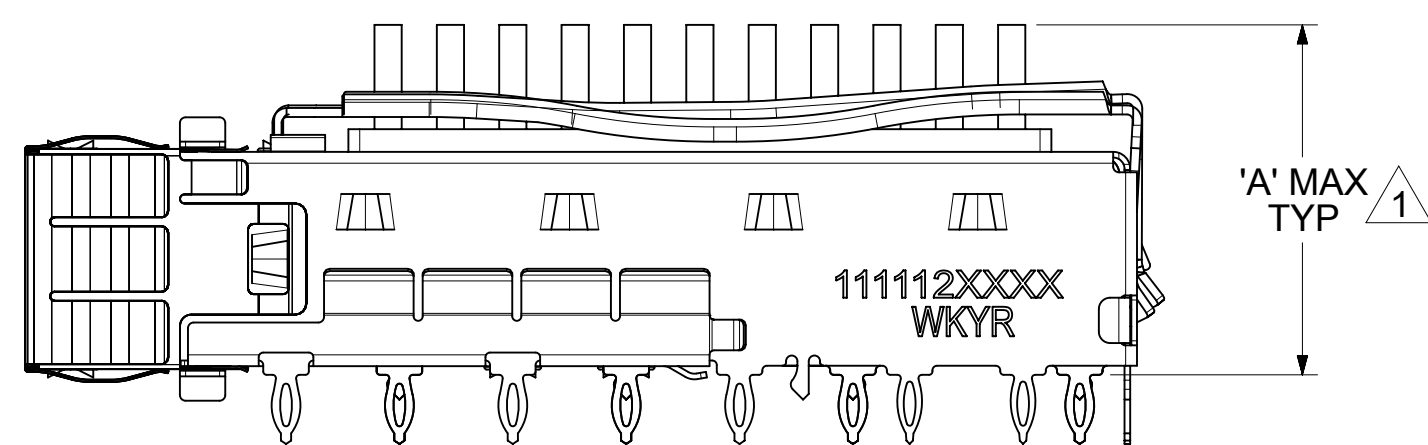
WIDE GAP PIN FIELD SAN

WIDE GAP PIN FIELD PCI

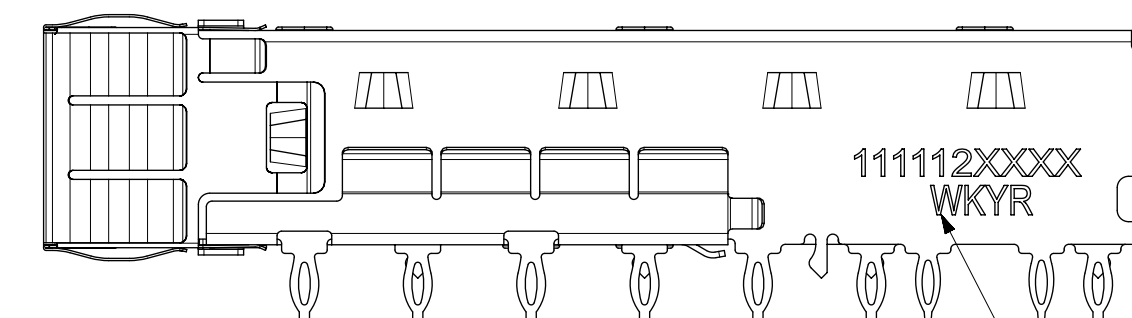
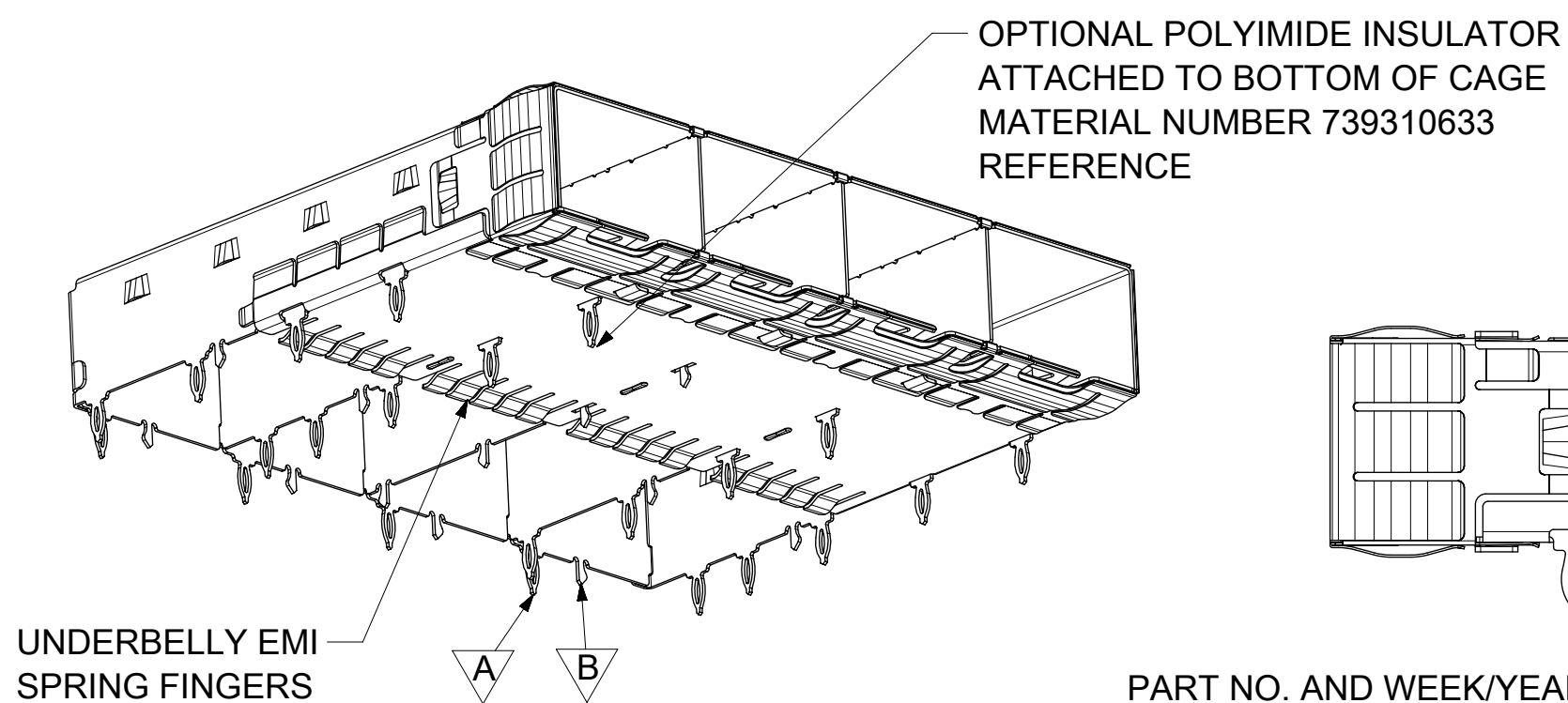


OVERALL HEATSINK HEIGHT

APPLICATION	DIM 'A'
PCI	14.3
SAN	16.6



NOTES:
1 HEIGHT OF HEATSINK WITH MODULE INSERTED.
DIMENSION MAY BE LESS DUE TO MODULE AND HEATSINK VARIATIONS.



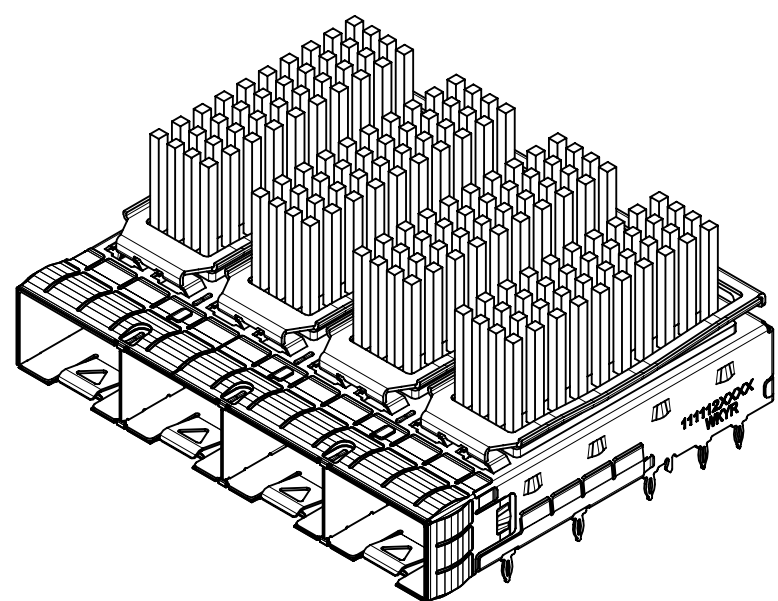
PART NO. AND WEEK/YEAR DATE CODE TO BE PRINTED ON THE SIDE OF COMPLETED CAGE ASSEMBLY APPROXIMATELY AS SHOWN FOR 11112 SERIES CAGE ASSEMBLIES.

WEEK/YEAR DATE CODE TABLE	
WW	01 THRU 52 OR 53 EXAMPLE: 01 = FIRST WEEK OF YEAR 52 = LAST WEEK OF YEAR
YY	22, 23, 24,, ETC. EXAMPLE: YEAR 2022 = 22

FUNCTIONAL SYMBOLS	THIS DRAWING CONTAINS INFORMATION THAT IS PROPRIETARY TO MOLEX ELECTRONIC TECHNOLOGIES, LLC AND SHOULD NOT BE USED WITHOUT WRITTEN PERMISSION		CURRENT REV DESC: SEE REVISION TABLE				
$\frac{E}{A} = 0$	DIMENSION UNITS	SCALE	<p>molex</p> <p>SFP+ 1X4 SF CAGE ASSY'S PRESS FIT, HEAT SINKS, WITH SUS EMI SPRING FINGERS</p> <p>PRODUCT CUSTOMER DRAWING</p>				
$\frac{E}{C} = 0$	mm	2:1					
$\frac{E}{P} = 0$	GENERAL TOLERANCES (UNLESS SPECIFIED)						
DIVISIONAL SYMBOLS	ANGULAR TOL	± 1.0°	EC NO: 706897	2022/05/04			
4 PLACES	±		DRWN: ABHILT2	2022/05/16			
3 PLACES	±		CHK'D: TKUMARKC	2022/05/19			
2 PLACES	± 0.15		APPR: SCHIEN				
1 PLACE	± 0.25		INITIAL REVISION:				
0 PLACES	±		DRWN: ABHILT2	2022/05/04			
			APPR: SCHIEN	2022/05/19			
DRAFT WHERE APPLICABLE MUST REMAIN WITHIN DIMENSIONS	THIRD ANGLE PROJECTION	DRAWING	SERIES	DOCUMENT NUMBER	DOC TYPE	DOC PART	REVISION
		C-SIZE	111112	111128320	PSD	ASY	A
				MATERIAL NUMBER	CUSTOMER		SHEET NUMBER
				SEE SHEET 3			2 OF 7

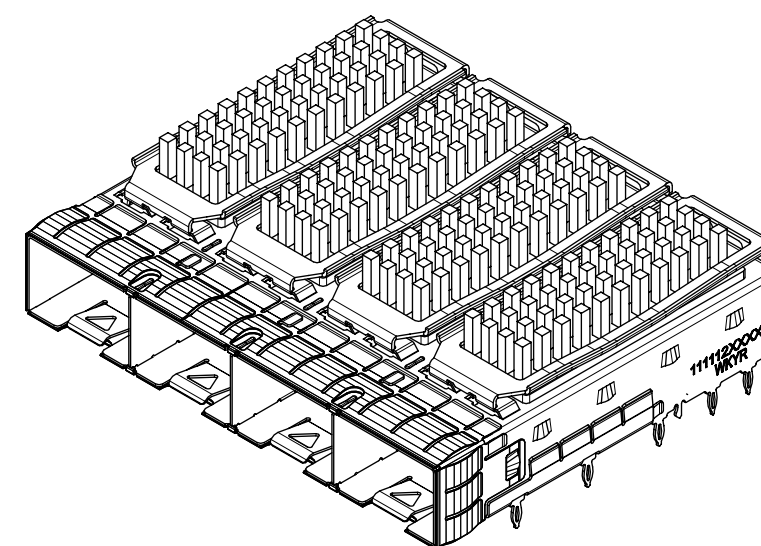
DOCUMENT STATUS	P1	RELEASE DATE	2022/05/19 07:40:31
-----------------	----	--------------	---------------------

PART NUMBER SELECTION

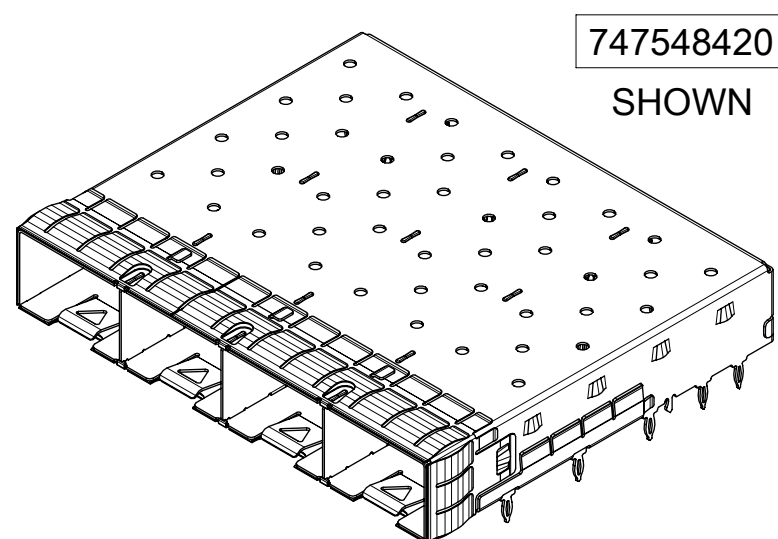


SFP+ PIN FIELD HEATSINK OPTION			
PART NO.	POLYIMIDE INSULATOR	HEAT SINK	# OF REAR LEGS PER PORT
1111128320	---	SAN	1A, 1B
1111123820	---	NET	1A, 1B
1111124860	YES	NET	1A, 1B

NOTE: PCI-13ROWS
SAN-11ROWS
NET-10ROWS



SFP+ WIDE GAP PIN FIELD HEATSINK OPTION			
PART NO.	POLYIMIDE INSULATOR	HEAT SINK	# OF REAR LEGS PER PORT
1111121820	---	PCI	1A, 1B
1111129421	---	CUSTOM	1A, 1B

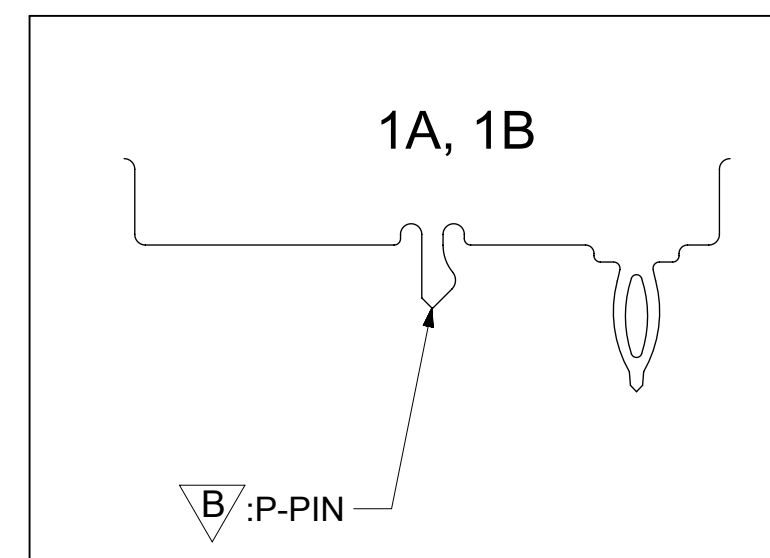


747548420
SHOWN

SFP+ OPEN TOP BASE CAGE FOR HEATSINK				
PART NO.	POLYIMIDE INSULATOR	WELD POINT QUANTITY	# OF REAR LEGS PER PORT	PLATING
747548420	---	6	1A, 1B	----
747548427	YES	6	1A, 1B	----

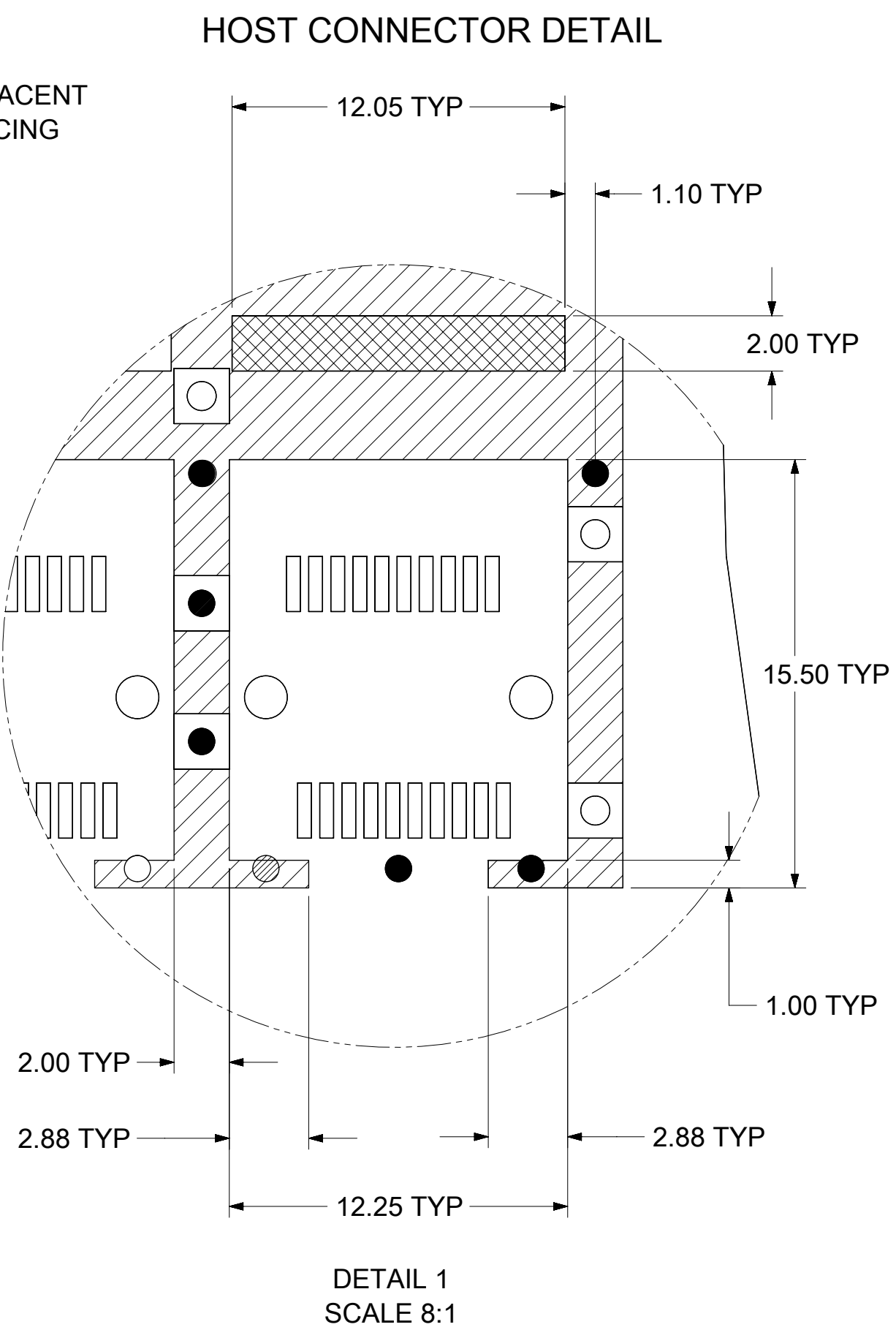
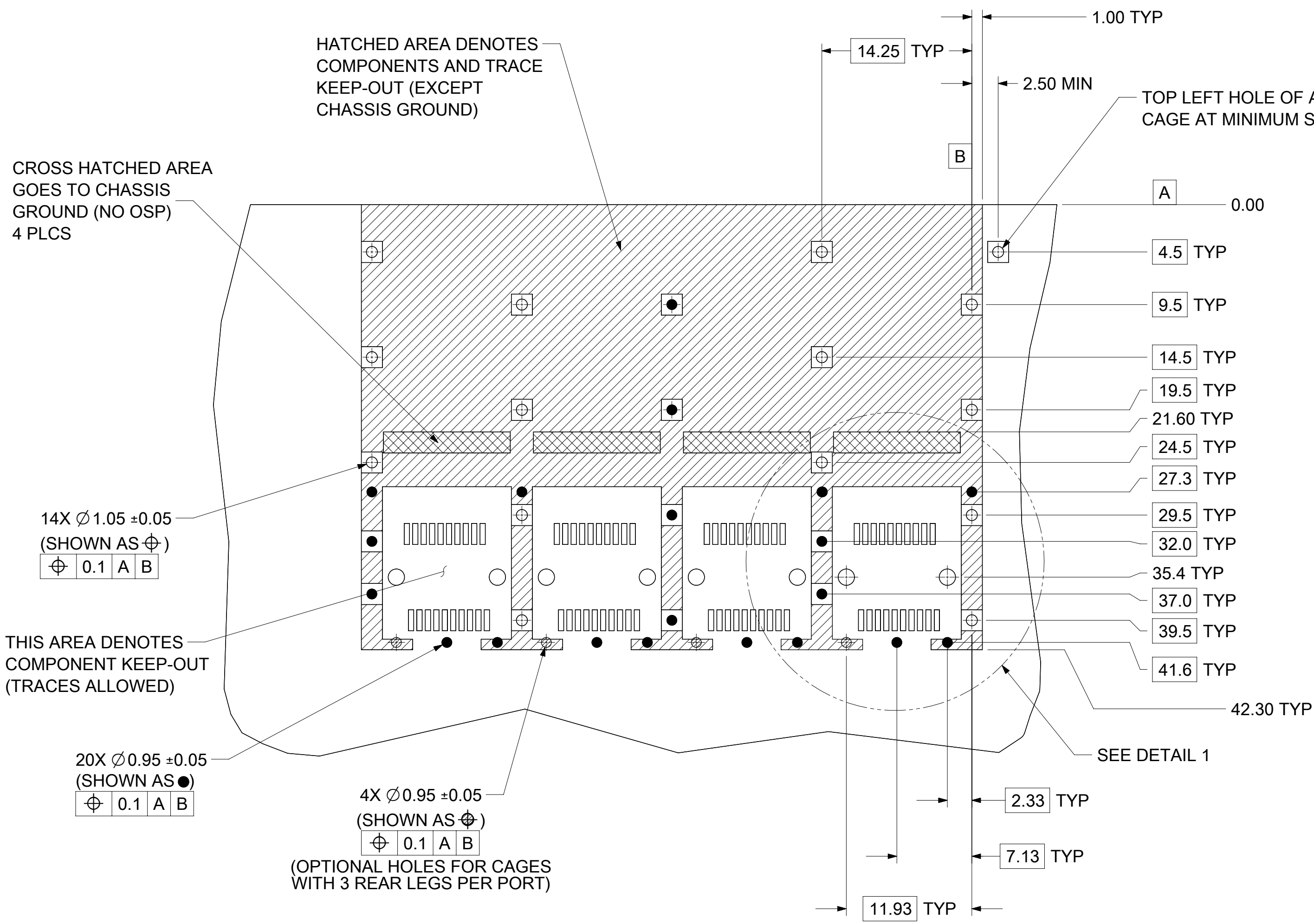
(15mm MAX PITCH BETWEEN ANY 2 WELD POINTS)

REAR LEG OPTIONS (PER PORT)



FUNCTIONAL SYMBOLS	THIS DRAWING CONTAINS INFORMATION THAT IS PROPRIETARY TO MOLEX ELECTRONIC TECHNOLOGIES, LLC AND SHOULD NOT BE USED WITHOUT WRITTEN PERMISSION													
	DIMENSION UNITS	SCALE	CURRENT REV DESC: SEE REVISION TABLE											
$\frac{F}{A} = 0$	mm	4:3	GENERAL TOLERANCES (UNLESS SPECIFIED)									EC NO: 706897 DRWN: ABHILT2 2022/05/04 CHK'D: TKUMARKC 2022/05/16 APPR: SCHIEN 2022/05/19		
$\frac{E}{C} = 0$	ANGULAR TOL $\pm 1.0^\circ$		PRODUCT CUSTOMER DRAWING											
$\frac{E}{P} = 0$	4 PLACES \pm	3 PLACES \pm	INITIAL REVISION:								DOCUMENT NUMBER	DOC TYPE	DOC PART	REVISION
DIVISIONAL SYMBOLS	2 PLACES ± 0.15	1 PLACE ± 0.25	DRWN: ABHILT2 2022/05/04 APPR: SCHIEN 2022/05/19								1111128320	PSD	ASY	A
	DRAFT WHERE APPLICABLE MUST REMAIN WITHIN DIMENSIONS		THIRD ANGLE PROJECTION	DRAWING	SERIES	MATERIAL NUMBER	CUSTOMER	SHEET NUMBER						
				C-SIZE	111112	SEE SHEET 3		3 OF 7						

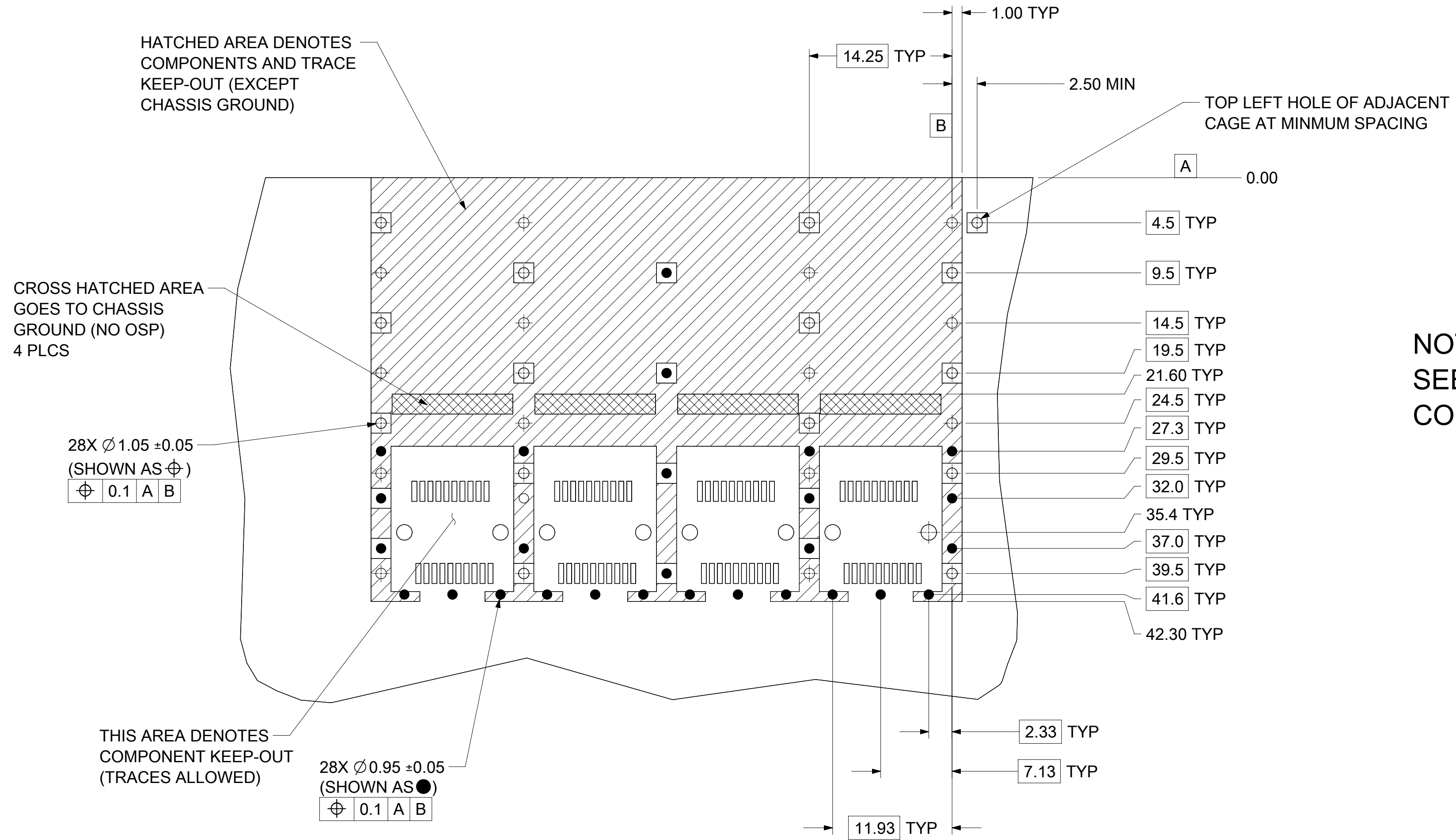
PCB LAYOUT FOR SINGLE SIDE MOUNT



- NOTES:
1. PADS AND VIAS CONNECT TO CHASSIS GROUND (RECOMMENDED PADS TO BE 2.00mm SQUARE)
 2. RECOMMENDED THRU HOLE PLATING INCLUDES HASL, OSP, OR IMMERSION (GOLD, SILVER, OR TIN)
 3. CONNECTOR PAD LAYOUT PER SFP+ MSA WILL ACCOMMODATE MOLEX CONNECTOR SERIES 74441 OR EQUIVALENT
 4. HOLE PATTERN REPEATS FOR EACH PORT, SPACING BETWEEN PORTS IS 14.25mm
 5. MINIMUM PCB THICKNESS FOR SINGLE SIDED USE 1.57mm.

FUNCTIONAL SYMBOLS	THIS DRAWING CONTAINS INFORMATION THAT IS PROPRIETARY TO MOLEX ELECTRONIC TECHNOLOGIES, LLC AND SHOULD NOT BE USED WITHOUT WRITTEN PERMISSION		CURRENT REV DESC: SEE REVISION TABLE		
	DIMENSION UNITS	SCALE			
$\overline{A} = 0$	mm	3:1			SFP+ 1X4 SF CAGE ASSY'S PRESS FIT, HEAT SINKS, WITH SUS EMI SPRING FINGERS
$\overline{C} = 0$	GENERAL TOLERANCES (UNLESS SPECIFIED)				
$\overline{P} = 0$	ANGULAR TOL ± 1.0°				PRODUCT CUSTOMER DRAWING
DIVISIONAL SYMBOLS	4 PLACES	±	EC NO: 706897	2022/05/04	
	3 PLACES	±	DRWN: ABHILT2	2022/05/16	
	2 PLACES	± 0.15	CHK'D: TKUMARKC	2022/05/19	
	1 PLACE	± 0.25	APPR: SCHIEN		
	0 PLACES	±	INITIAL REVISION:		
	DRAFT WHERE APPLICABLE MUST REMAIN WITHIN DIMENSIONS		DRWN: ABHILT2	2022/05/04	DOCUMENT NUMBER
	THIRD ANGLE PROJECTION		APPR: SCHIEN	2022/05/19	1111128320
	DRAWING		SERIES	MATERIAL NUMBER	CUSTOMER
	C-SIZE		111112	SEE SHEET 3	
					DOC TYPE DOC PART REVISION
					PSD ASY A
					SHEET NUMBER
					4 OF 7

PCB LAYOUT FOR BELLY TO BELLY MOUNTING

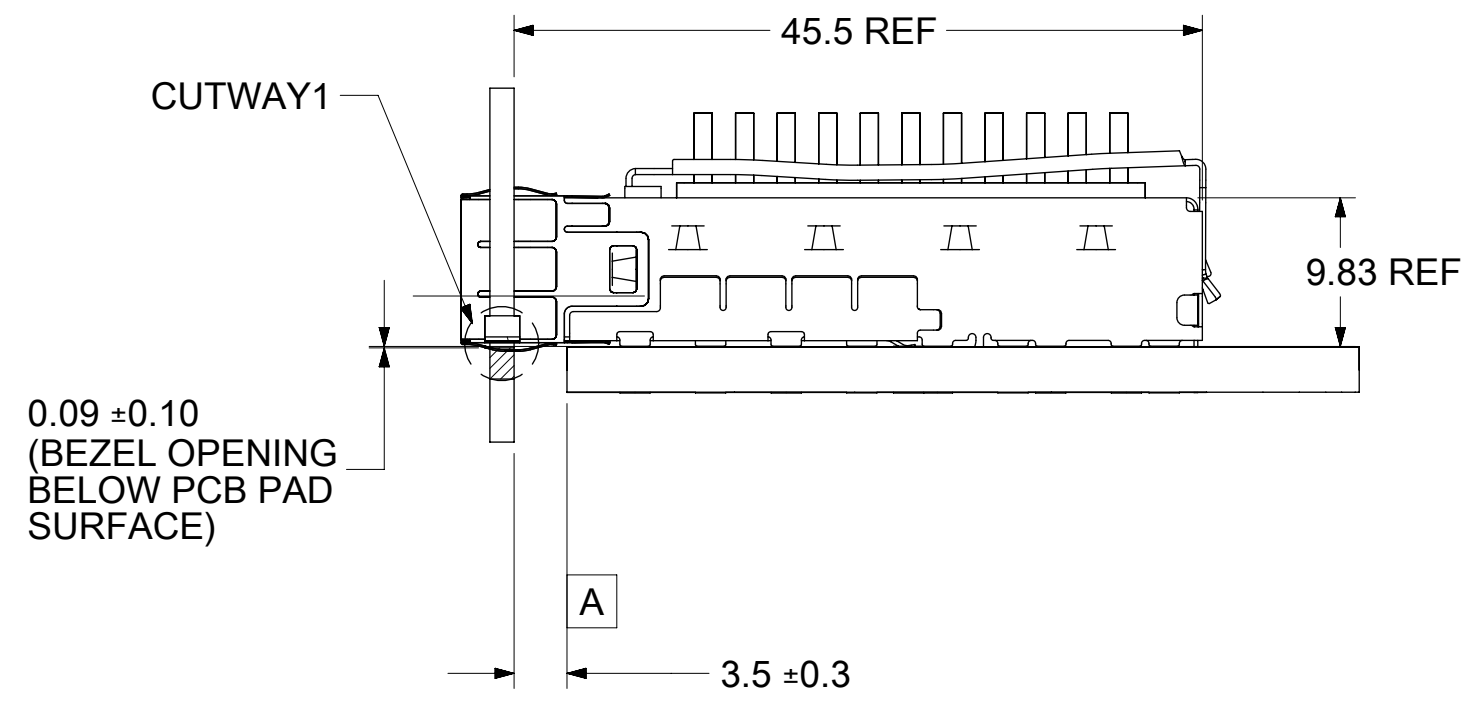
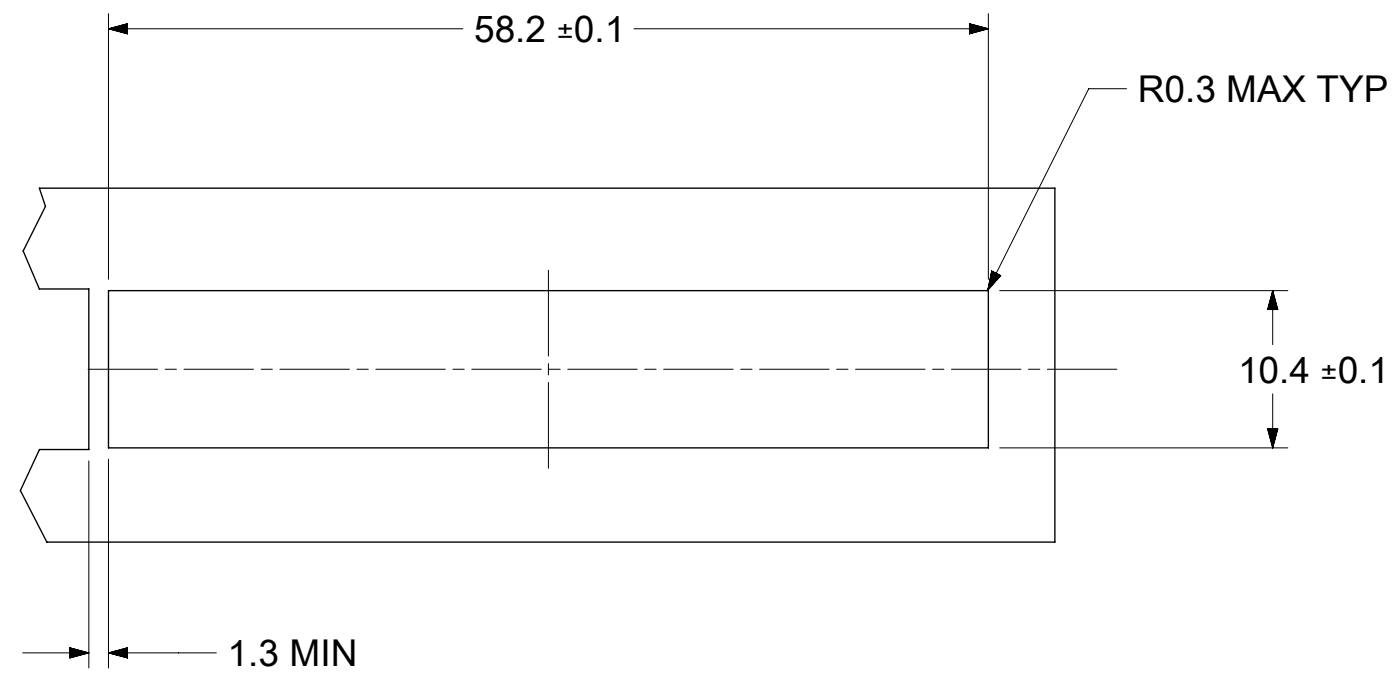


NOTE:
SEE SHEET 4 FOR HOST
CONNECTOR DETAIL

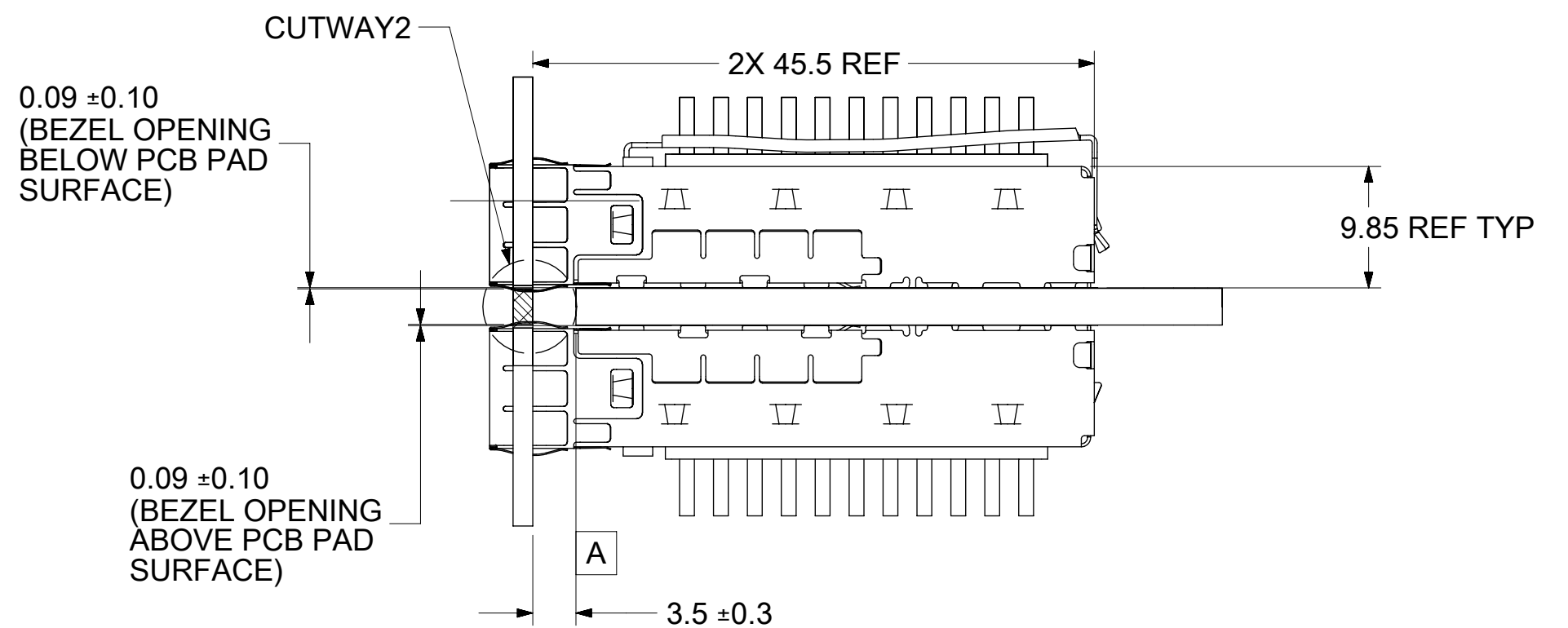
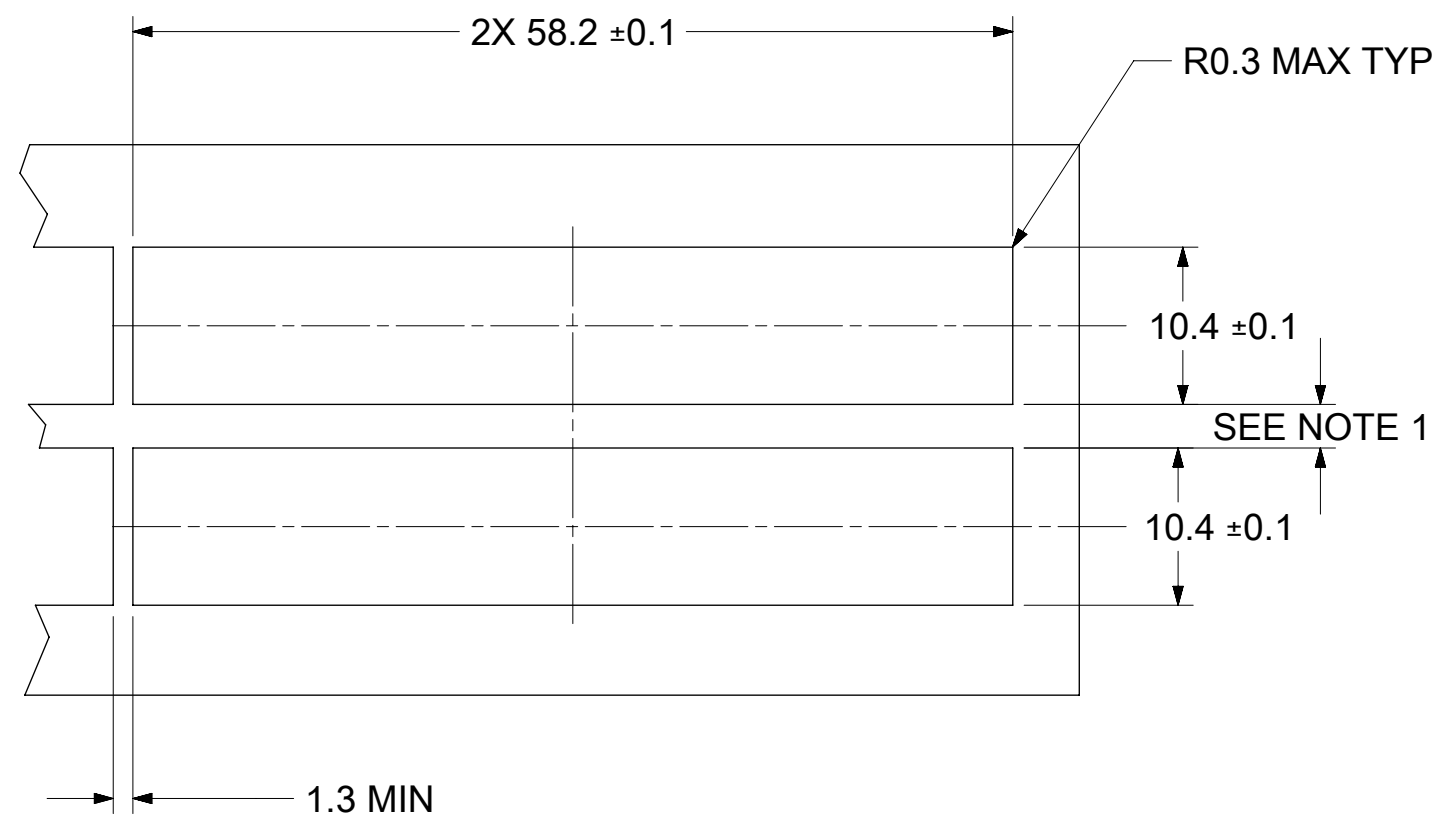
- NOTES:**
1. PADS AND VIAS CONNECT TO CHASSIS GROUND (RECOMMENDED PADS TO BE 2.00mm SQUARE)
 2. RECOMMENDED THRU HOLE PLATING INCLUDES HASL, OSP, OR IMMERSION (GOLD, SILVER, OR TIN)
 3. CONNECTOR PAD LAYOUT PER SFP+ MSA WILL ACCOMMODATE MOLEX CONNECTOR SERIES 74441 OR EQUIVALENT
 4. HOLE PATTERN REPEATS FOR EACH PORT, SPACING BETWEEN PORTS IS 14.25mm
 5. MINIMUM PCB THICKNESS FOR BELLY TO BELLY USE 3.00mm.

FUNCTIONAL SYMBOLS	THIS DRAWING CONTAINS INFORMATION THAT IS PROPRIETARY TO MOLEX ELECTRONIC TECHNOLOGIES, LLC AND SHOULD NOT BE USED WITHOUT WRITTEN PERMISSION		CURRENT REV DESC: SEE REVISION TABLE		
	DIMENSION UNITS	SCALE			
$\frac{F}{A} = 0$	mm	3:1			SFP+ 1X4 SF CAGE ASSY'S PRESS FIT, HEAT SINKS, WITH SUS EMI SPRING FINGERS
$\frac{F}{C} = 0$	GENERAL TOLERANCES (UNLESS SPECIFIED)				
$\frac{F}{P} = 0$	ANGULAR TOL ± 1.0°				PRODUCT CUSTOMER DRAWING
DIVISIONAL SYMBOLS	4 PLACES	±	EC NO: 706897		
	3 PLACES	±	DRWN: ABHILT2 2022/05/04		
	2 PLACES	± 0.15	CHK'D: TKUMARKC 2022/05/16		
	1 PLACE	± 0.25	APPR: SCHIEN 2022/05/19		
	0 PLACES	±	INITIAL REVISION:		
	DRAFT WHERE APPLICABLE MUST REMAIN WITHIN DIMENSIONS		DRWN: ABHILT2 2022/05/04		DOCUMENT NUMBER
			APPR: SCHIEN 2022/05/19		1111128320
			THIRD ANGLE PROJECTION	DRAWING	SERIES
				C-SIZE	111112
			MATERIAL NUMBER	CUSTOMER	SHEET NUMBER
			SEE SHEET 3		5 OF 7

BEZEL AND BOARD POSITION DIMENSIONS FOR SINGLE SIDE MOUNTING (SPRING FINGER)



BEZEL AND BOARD POSITION DIMENSIONS FOR BELLY TO BELLY MOUNTING (SPRING FINGER)



NOTE:
 1. PCB THICKNESS VARIATION MUST BE CONSIDERED WHEN DETERMINING BEZEL OPENING LOCATION.
 2. CAGE LEG STANDOFF WILL PIERCE BELLY GASKET WHEN PROPERLY PRESSED INTO PCB.

FUNCTIONAL SYMBOLS	THIS DRAWING CONTAINS INFORMATION THAT IS PROPRIETARY TO MOLEX ELECTRONIC TECHNOLOGIES, LLC AND SHOULD NOT BE USED WITHOUT WRITTEN PERMISSION		CURRENT REV DESC: SEE REVISION TABLE				
	DIMENSION UNITS	SCALE					
$\frac{E}{A} = 0$	mm	2:1			SFP+ 1X4 SF CAGE ASSY'S PRESS FIT, HEAT SINKS, WITH SUS EMI SPRING FINGERS		
$\frac{E}{C} = 0$	GENERAL TOLERANCES (UNLESS SPECIFIED)						
$\frac{E}{P} = 0$	ANGULAR TOL ± 1.0°				PRODUCT CUSTOMER DRAWING		
DIVISIONAL SYMBOLS	4 PLACES	±	EC NO: 706897	2022/05/04			
	3 PLACES	±	DRWN: ABHILT2	2022/05/16			
	2 PLACES	± 0.15	CHK'D: TKUMARKC	2022/05/19			
	1 PLACE	± 0.25	APPR: SCHIEN				
0 PLACES	±	INITIAL REVISION:		DOCUMENT NUMBER	DOC TYPE	DOC PART	REVISION
DRAFT WHERE APPLICABLE MUST REMAIN WITHIN DIMENSIONS		THIRD ANGLE PROJECTION	DRAWING	SERIES	MATERIAL NUMBER	CUSTOMER	SHEET NUMBER
			C-SIZE	111112	111128320	SEE SHEET 3	6 OF 7

H

H

REV	DATE	DESCRIPTION
A	2022/05/04	INITIAL RELEASE

G

G

F

F

E

E

D

D

C


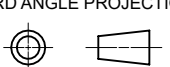
C

B

B

A

A

FUNCTIONAL SYMBOLS	THIS DRAWING CONTAINS INFORMATION THAT IS PROPRIETARY TO MOLEX ELECTRONIC TECHNOLOGIES, LLC AND SHOULD NOT BE USED WITHOUT WRITTEN PERMISSION													
	DIMENSION UNITS	SCALE	CURRENT REV DESC: SEE REVISION TABLE											
$\frac{F}{A} = 0$	mm	1:1	EC NO: 706897 DRWN: ABHILT2 2022/05/04 CHK'D: TKUMARKC 2022/05/16 APPR: SCHIEN 2022/05/19 INITIAL REVISION: DRWN: ABHILT2 2022/05/04 APPR: SCHIEN 2022/05/19									DOCUMENT NUMBER		DOC TYPE
$\frac{F}{C} = 0$	GENERAL TOLERANCES (UNLESS SPECIFIED)									111128320		PSD	ASY	A
$\frac{F}{P} = 0$	ANGULAR TOL ± 1.0°									SEE SHEET 3				
DIVISIONAL SYMBOLS	4 PLACES	±								PRODUCT CUSTOMER DRAWING				
	3 PLACES	±												
	2 PLACES	± 0.15												
	1 PLACE	± 0.25												
	0 PLACES	±												
DRAFT WHERE APPLICABLE MUST REMAIN WITHIN DIMENSIONS		THIRD ANGLE PROJECTION	DRAWING	SERIES	MATERIAL NUMBER	CUSTOMER	SHEET NUMBER							
			C-SIZE	111112	SEE SHEET 3		7 OF 7							