

62609-1 ✓ ACTIVE



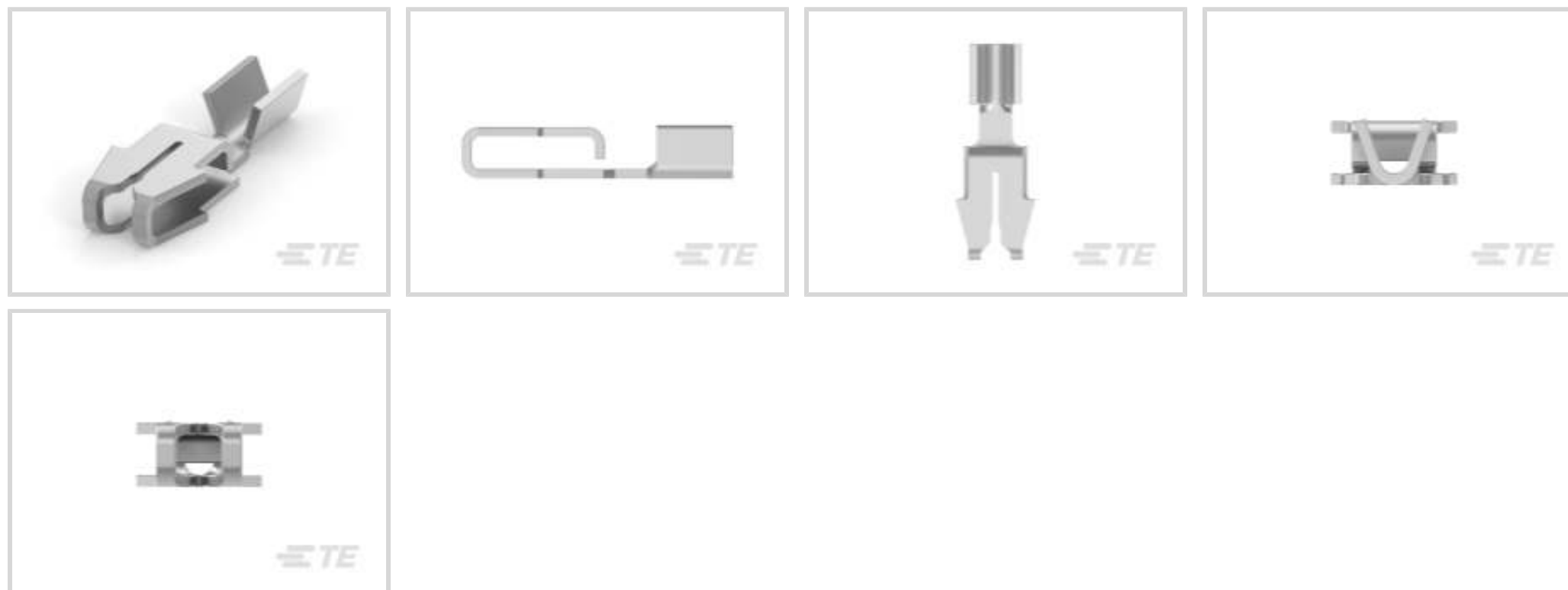
MAG-MATE

TE Internal #: 62609-1

Magnet Wire Terminals, F-Crimp, Size 1, Lead Wire Size 26 – 22 AWG, Lead Wire Size .12 – .4 mm², .36 – .45 mm Magnet Wire, MAG-MATE

[View on TE.com >](#)

Terminals & Splices > Magnet Wire Terminals



Magnet Wire Terminal Type: **F-Crimp**

Compatible With Cavity Size: **Size 1**

Lead Wire Size: **.12 – .4 mm²**

Magnet Wire Size: **27 – 25 AWG**

Features

Product Type Features

Compatible With Discrete Wire Type	Magnet Wire, Solid
------------------------------------	--------------------

Body Features

Compatible With Cavity Size	Size 1
-----------------------------	--------

Contact Features

Magnet Wire Terminal Type	F-Crimp
---------------------------	---------

Terminal Plating Material	Tin
---------------------------	-----

Terminal Orientation	Straight
----------------------	----------

Termination Features

Termination Method to Wire & Cable	Crimp, Insulation Displacement (IDC)
------------------------------------	--------------------------------------

Crimp Area Length	2.54 mm[.1 in]
-------------------	----------------

Dimensions

Terminal Height	4.75 mm[.187 in]
-----------------	------------------

Lead Wire Size	.12 – .4 mm ²
----------------	--------------------------

Magnet Wire Size	.36 – .45 mm
------------------	--------------



Stock Thickness (Magnet Wire Side)	.31 mm[.012 in]
------------------------------------	-----------------

Product Length	9.02 mm[.355 in]
----------------	------------------

Usage Conditions

Insulation Option	Uninsulated
-------------------	-------------

Operating Temperature Range	-65 – 150 °C[-85 – 302 °F]
-----------------------------	----------------------------

Operation/Application

Compatible With Wire Base Material	Copper
------------------------------------	--------

Packaging Features

Packaging Method	Reel, Reel/Carton
------------------	-------------------

Other

Terminals & Splices Comment	Stranded, fused stranded or solid lead wire, Two magnet wires may be terminated in the same terminal slot if diameters are equal.
-----------------------------	---

Product Compliance

[For compliance documentation, visit the product page on TE.com>](#)

EU RoHS Directive 2011/65/EU	Compliant
------------------------------	-----------

EU ELV Directive 2000/53/EC	Compliant
-----------------------------	-----------

China RoHS 2 Directive MIIT Order No 32, 2016	No Restricted Materials Above Threshold
---	---

EU REACH Regulation (EC) No. 1907/2006	Current ECHA Candidate List: JUNE 2023 (235) Candidate List Declared Against: JUNE 2023 (235) Does not contain REACH SVHC
--	---

Halogen Content	Low Halogen - Br, Cl, F, I < 900 ppm per homogenous material. Also BFR/CFR/PVC Free
-----------------	---

Solder Process Capability	Not applicable for solder process capability
---------------------------	--

Product Compliance Disclaimer

This information is provided based on reasonable inquiry of our suppliers and represents our current actual knowledge based on the information they provided. This information is subject to change. The part numbers that TE has identified as EU RoHS compliant have a maximum concentration of 0.1% by weight in homogenous materials for lead, hexavalent chromium, mercury, PBB, PBDE, DBP, BBP, DEHP, DIBP, and 0.01% for cadmium, or qualify for an exemption to these limits as defined in the Annexes of Directive 2011/65/EU (RoHS2). Finished electrical and electronic equipment products will be CE marked as required by Directive 2011/65/EU. Components may not be CE marked. Additionally, the part numbers that TE has identified as EU ELV compliant have a maximum concentration of 0.1% by weight in homogenous materials for lead, hexavalent chromium, and mercury, and 0.01% for cadmium, or qualify for an exemption to these limits as defined in the Annexes of Directive 2000/53/EC (ELV). Regarding the REACH Regulation, the information TE provides on SVHC in articles for this part number is based on the latest European Chemicals Agency (ECHA) 'Guidance on

requirements for substances in articles' posted at this URL: <https://echa.europa.eu/guidance-documents/guidance-on-reach>

Compatible Parts



TE Part # 1217146-1
TERMINAL, F-CRIMP MAG-MATE



TE Part # 63856-2
TERMINAL, F-CRIMP, MAG-MATE



TE Part # 63039-1
MAG-MATE W/BBL 33-31 010TPBR



TE Part # 63856-1
TERM MAG-MATE F-CRIMP 0126TPBR



TE Part # 62438-1
MAG-MATE POST 25-27 013 TPBR



TE Part # 62608-1
MAG-MATE W/BBL 30-28 013TPBR



TE Part # 1217013-1
TAB, 059 MAG-MATE TPBR



TE Part # 62608-3
TERM MAG-MATE F CRIMP 0126TPBR




TE Part # 62610-1
MAG-MATE W/BBL 24-22 013 TPBR



TE Part # 63036-1
MAG-MATE W/BBL 30-28 013TPBR


Also in the Series | MAG-MATE



Insertion & Extraction Tools(7)

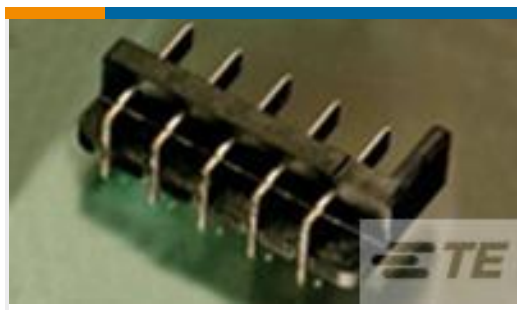


Magnet Wire Terminals(435)



PCB Terminals(1)

Customers Also Bought



TE Part #5787246-1
HDR ASY,RA,LKEY,STR TAIL,10.8V



TE Part #NB-PTCO-189
Pt1000, 1.2x4.0, Class C,
PTFM102C1G0



TE Part #2120743-2
MAG-MATE Slim Line with Multispring



TE Part #1247001-3
MAGMATE "300 SERIES" WITH
MULTISPRING

Documents

Product Drawings

MAG-MATE W/BBL 27-25 013 TPBR

English

CAD Files

3D PDF

3D

Customer View Model

[ENG_CVM_CVM_62609-1_AJ.2d_dxf.zip](#)

English

Customer View Model

[ENG_CVM_CVM_62609-1_AJ.3d_igs.zip](#)

English

Customer View Model

[ENG_CVM_CVM_62609-1_AJ.3d_stp.zip](#)

English

By downloading the CAD file I accept and agree to the [Terms and Conditions](#) of use.

Datasheets & Catalog Pages

Magnet Wire Terminals & Splices

English

Product Specifications

Application Specification

English

Product Environmental Compliance

Product Compliance

English

Product Compliance

English