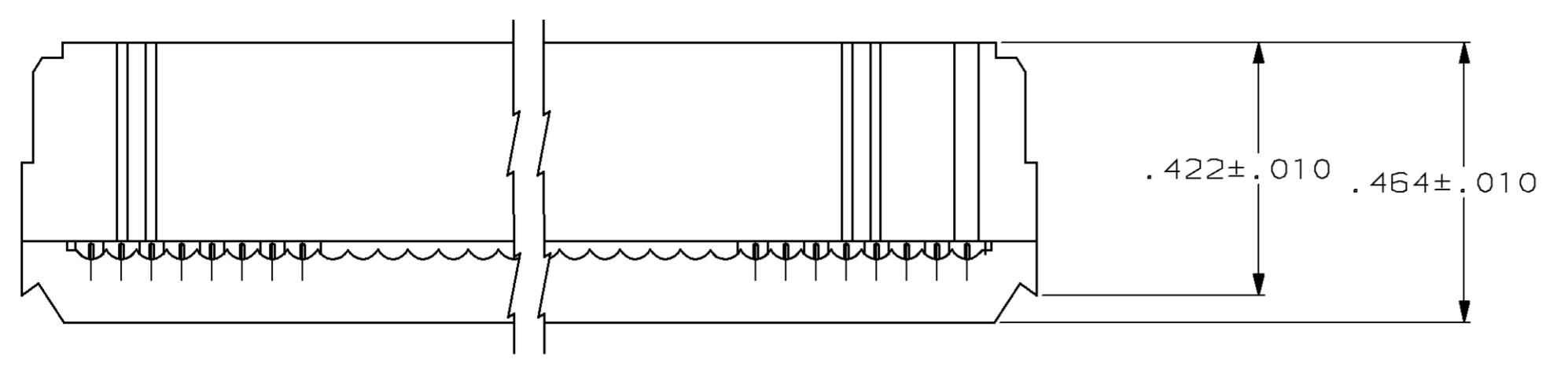
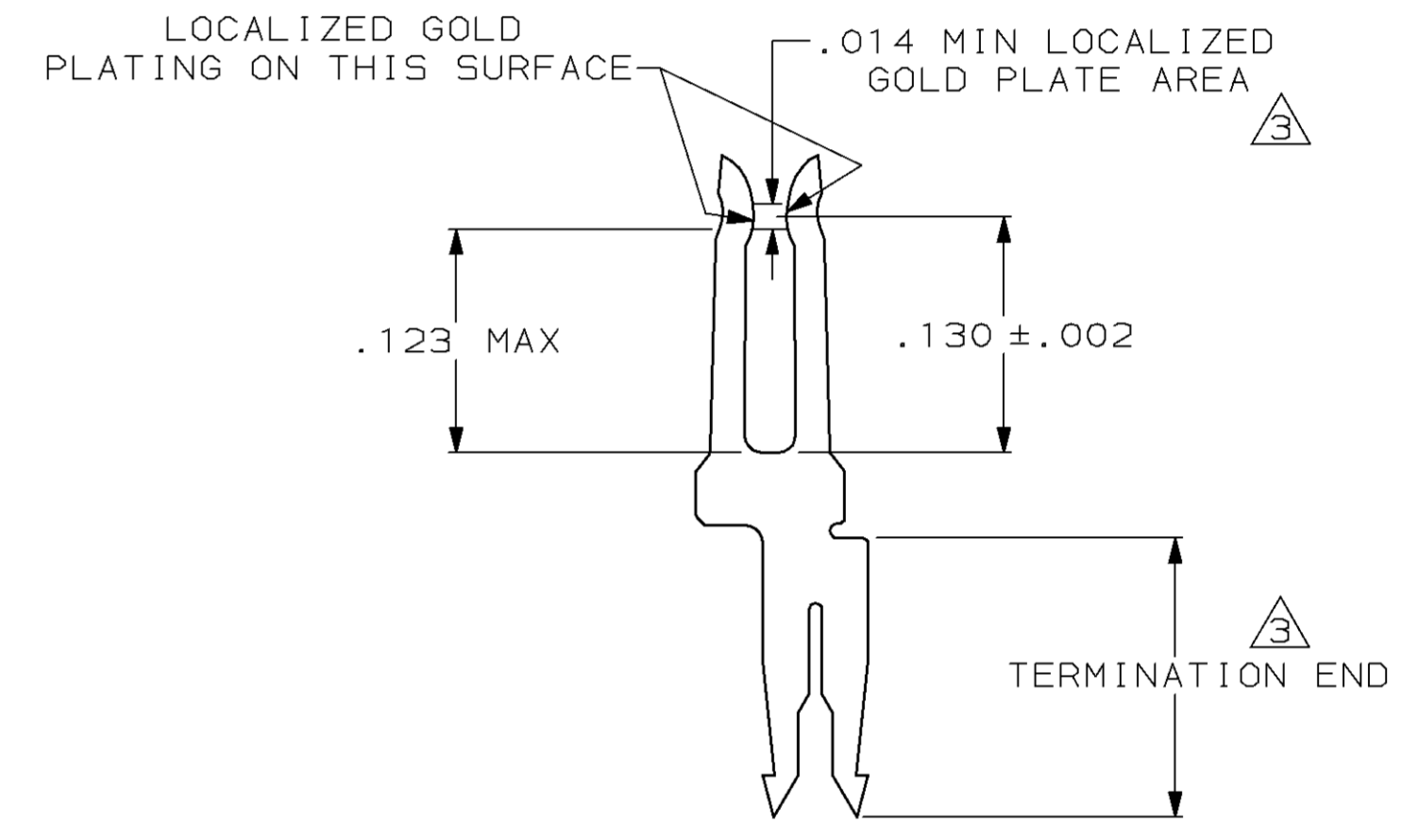
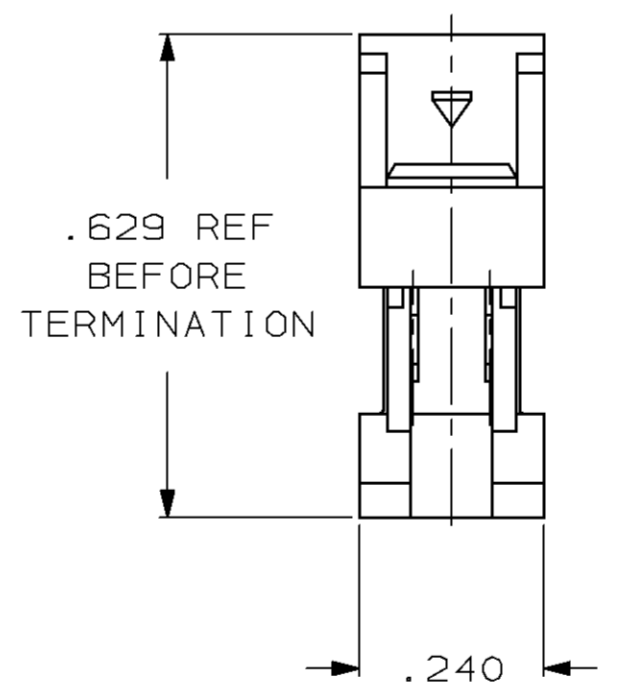
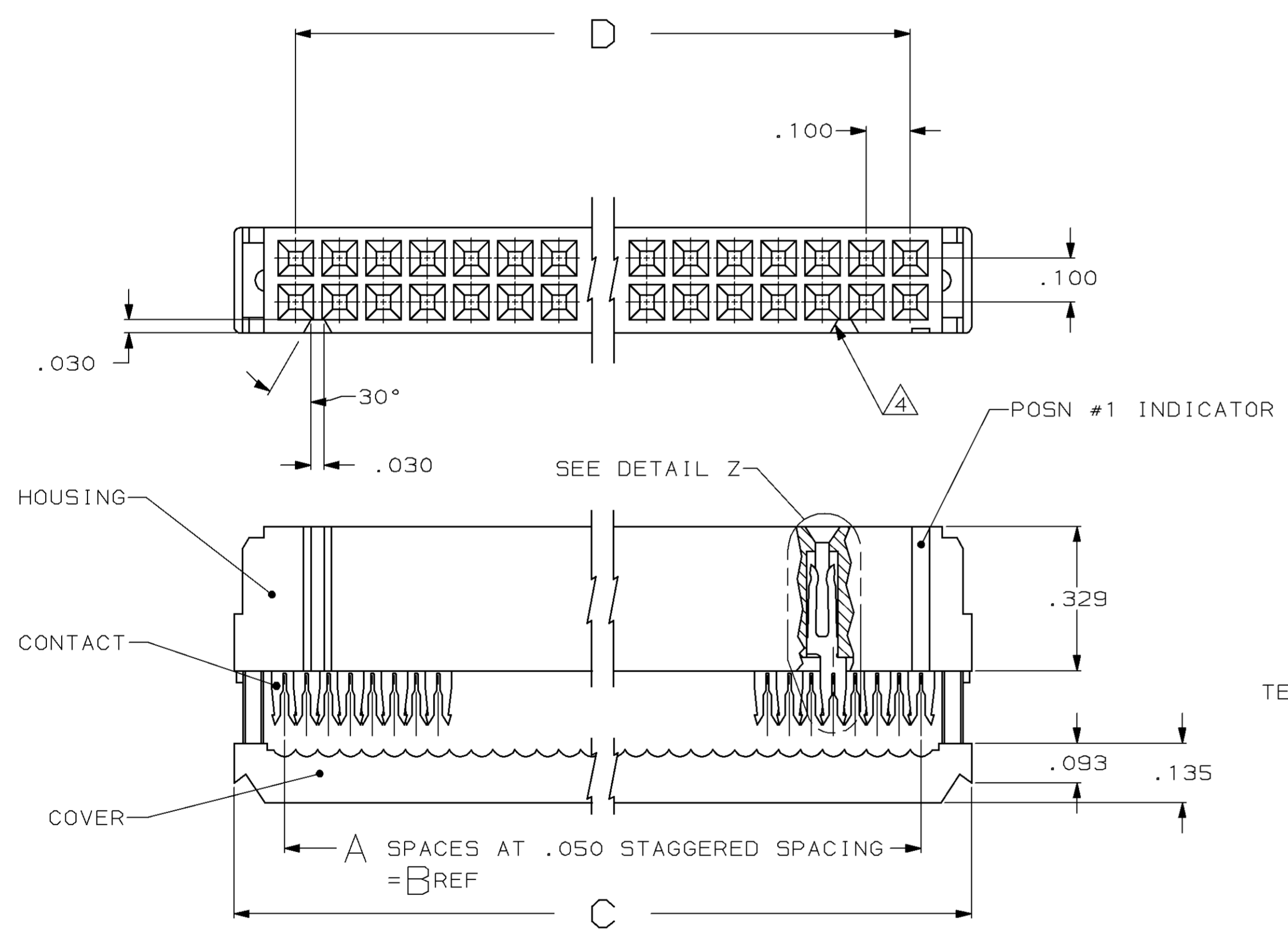


LOC AR		DIST	P	F	ZONE	LTR	DESCRIPTION	DATE	APPD
		35			A		REV, REDWN PER ECN 0899	-	-
					B		REV PER ECN 1456	-	-
					C		REVSD/ECN CF-1706	07/88	DH
					D		REV ECN CF1770	DK 11-8-88	MC
					E		REV PER ECN CF1807	JPG 5-5-89	SG
					F		REV PER ECN BD4386	12-6-90	-
					G		REV PER EC 0020-1041-93	12/03/93	JS
					H		OBS 1--4 PER EC 0020-933-93	03/16/94	DK
					J		OBSOLETE -13	21 AUG 97	JGH
							PER EC 0410-197-96		

- ① UL RATED 94V-0 THERMOPLASTIC, COLOR: BLACK.
- ② PHOSPHOR BRONZE PER QQ-B-750.
- ③ PLATED WITH .000030 GOLD ON LOCALIZED GOLD PLATE AREA, .000100 - .000200 BRIGHT TIN LEAD ON TERMINATION END, ALL OVER .000050 NICKEL ON ENTIRE CONTACT.
- ④ POLARIZING FEATURE DOES NOT EXIST ON SAME END AS THE POSN #1 INDICATOR ON 10 AND 14 POSN PRODUCT.



TERMINATED VIEW



DETAIL Z  
SCALE 10:1  
TYPICAL

	D	C	B	A	NO OF POSN	PART NUMBER
OBSOLETE	1.700	1.980	1.750	35	36	1-746290-4
OBSOLETE	2.100	2.380	2.150	43	44	1-746290-3
	3.100	3.380	3.150	63	64	1- -2
	2.900	3.180	2.950	59	60	1- -1
	2.400	2.680	2.450	49	50	1- -0
	1.900	2.180	1.950	39	40	-9
	1.600	1.880	1.650	33	34	-8
	1.400	1.680	1.450	29	30	-7
	1.200	1.480	1.250	25	26	-6
	1.100	1.380	1.150	23	24	-5
	.900	1.180	.950	19	20	-4
	.700	.980	.750	15	16	-3
	.600	.880	.650	13	14	-2
	.400	.680	.450	9	10	746290-1

UNLESS OTHERWISE SPECIFIED DIMENSIONS ARE IN INCHES TOLERANCES ON:		DR J. PEACHEY 2-19-86	AMP INCORPORATED Harrisburg, Pa. 17105		
2 PL DEC ± .005		CHK JAY SAUDER 2-21-86			
3 PL DEC ± .005		APPD JAY SAUDER 2-21-86	NAME RECEPTACLE KIT, AMP-LATCH NOVO, MIL PLZN, 30 GOLD DUPLEX CONTACTS, W/O STRAIN RLF		
ANGLES ± 5°		APPD D. HOFFMAN 2-21-86			
MATERIAL	MOLDED PARTS:	PRODUCT SPEC	SIZE	FSCM NO	DRAWING NO
CONTACTS: ③	CONTACTS: ③	108-40000	D	00779	746290
FINISH	CONTACTS: ③	APPLICATION SPEC	SCALE		
		114-40005	4:1		
WEIGHT					SHEET 1 of 1
					CUSTOMER DRAWING