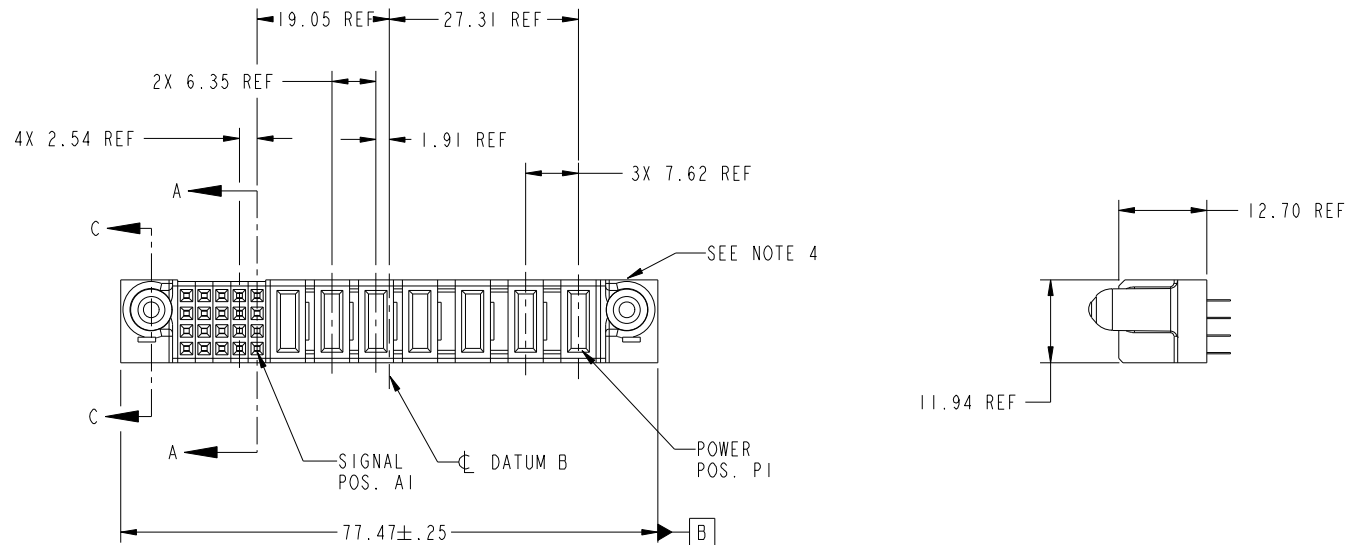


Tous droits strictement reserves. Reproduction ou communication a des tiers interdite sous quelque forme que ce soit sans autorisation écrite du propriétaire. Propriete de c FCI. Droits de reproduction FCI.

All rights strictly reserved. Reproduction or issue to third parties in any form whatever is not permitted without written authority from the proprietor. Property of FCI. Copyright FCI.



PRODUCT NO.	ROWS	SIGNAL				POWER							E1	
		E2	5	4	3	2	1	P7	P6	P5	P4	P3		P2
51940-195_	D C B A		E	E	E	E	X	X	X	X	X	X	X	
NOTE: 3			E	E	E	E	X	X	X	X	X	X	X	
			E	E	E	E	X	X	X	X	X	X	X	
			E	E	E	E	X	X	X	X	X	X	X	



CODE	DIM "M" MATING LENGTH	CONTACT TYPE
E	[N/A]	SIGNAL
X	OMITTED	OMITTED

mat'l code				SEE NOTES		tolerances unless otherwise specified		CUSTOMER		FCI	
ltr	ecn no.	dr	date	linear		0.X ± 0.3	COPY		www.fciconnect.com		
A	DG06-0355	CEN	08/23/06	angles		0.XX ± 0.13	projection		title		
						0.XXX ± 0.051	MIM		3ACP + 4P + 20S VERTICAL STB RECEPT		
				dr	HEAVEN CEN	08/23/06	scale		product family		code
				enr	SALLY LUO	08/23/06	1:1		PwrBlade		213
				chr	BEER FU	08/23/06			size		sheet
				appd	JOSEPH HSIA	08/23/06			dwg no		1 of 4
sheet index	revision sheet	A	A	A	A	A			A		51940-195
1	2	3	4								

cage code 22526

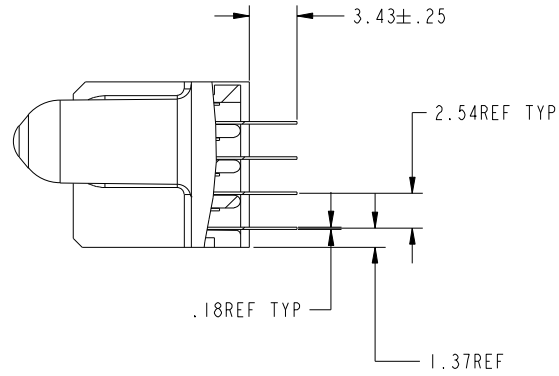
Pro/E

Tous droits strictement reserves. Reproduction ou communication a des tiers interdite sous quelque forme que ce soit sans autorisation écrite du propriétaire. Propriete de c FCI. Droits de reproduction FCI.

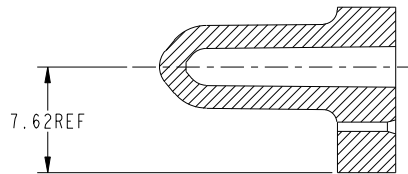


All rights strictly reserved. Reproduction or issue to third parties in any form whatever is not permitted without written authority from the proprietor. Property of FCI. Copyright FCI.

PRODUCT NUMBER
51940-195..
NOTE: 3



SECTION A-A
SCALE 2:1



SECTION C-C
SCALE 2:1

mat'l code				tolerances unless otherwise specified			CUSTOMER		 www.fciconnect.com	
ltr	ecn no.	dr	date	linear	0.X ± 0.3		COPY		title 3ACP + 4P + 20S VERTICAL STB RECEPT	
A					0.XX ± 0.13		projection			
					0.XXX ± 0.051					
				angles	0° ± 2°				product family PwrBlade code 213	
				dr	HEAVEN CEN	08/23/06	scale		size	sheet
				enr	SALLY LUO	08/23/06	1:1		A	2 of 4
				chr	BEER FU	08/23/06			51940-195	
				appd	JOSEPH HSIA	08/23/06				
sheet index	revision sheet									

cage code 22526

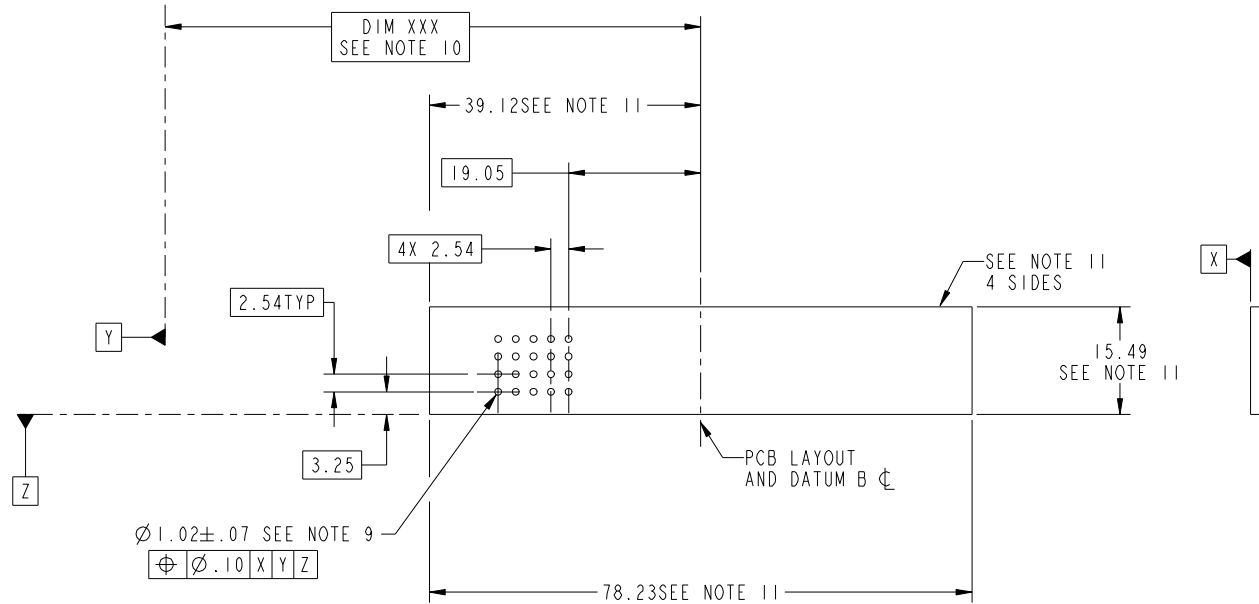
Pro/E

Tous droits strictement reserves. Reproduction ou communication a des tiers interdite sous quelque forme que ce soit sans autorisation écrite du propriétaire. Propriete de c FCI. Droits de reproduction FCI.



All rights strictly reserved. Reproduction or issue to third parties in any form whatever is not permitted without written authority from the proprietor. Property of FCI. Copyright FCI.

PRODUCT NUMBER
51940-195--
NOTE: 3



mat'l code				tolerances unless otherwise specified		CUSTOMER		FCI	
ltr	ecn no.	dr	date	linear	0.X ± 0.3	COPY		www.fciconnect.com	
A					0.XX ± 0.13	projection		title	
				angles	0.XXX ± 0.051			3ACP + 4P + 20S VERTICAL STB RECEIPT	
				dr	HEAVEN CEN 08/23/06	MIM		product family PwrBlade code	
				enr	SALLY LUO 08/23/06			size dwg no 213	
				chr	BEER FU 08/23/06	scale		sheet	
				appd	JOSEPH HSIA 08/23/06	1:1		3 of 4	
sheet index		revision sheet							

cage code 22526

Pro/E

Tous droits strictement reserves. Reproduction ou communication a des tiers interdite sous quelque forme que ce soit sans autorisation ecrite du proprietaire. Propriete de c FCI. Droits de reproduction FCI.

All rights strictly reserved. Reproduction or issue to third parties in any form whatever is not permitted without written authority from the proprietor. Property of FCI. Copyright FCI.

PRODUCT NUMBER
51940-195--
NOTE: 3

NOTES:

1. DIMENSIONS AND TOLERANCES ARE IN ACCORDANCE WITH ASME Y14.5M, 1994 UNLESS OTHERWISE SPECIFIED.

CONNECTOR NOTES:

- 2 HOUSING MATERIAL: UL 94 V-0 GLASS FILLED
HIGH-TEMP THERMOPLASTIC
POWER CONTACT MATERIAL: COPPER ALLOY
SIGNAL PIN MATERIAL: COPPER ALLOY
 - 3. PLATING SPEC.
51940-195, 51940-195LF PLATING SPEC. WAS SHOWN IN THE PRINT OF 10064183.
 - 4 MANUFACTURER'S NAME, P/N, AND DATE CODE TO APPEAR ON THIS SURFACE.
 - 5. PRODUCT SPECIFICATION GS-12-149.
APPLICATION SPECIFICATION BUS-20-067.
 - 6. PACKAGED IN TRAYS.
- PCB NOTES:
- 7. ALL HOLE DIAMETERS ARE FINISHED HOLE SIZE.
 - 8 MOUNTING HOLES, WHERE APPLICABLE, ARE UNPLATED.
 - 9 $\varnothing 1.151 \pm 0.025$ DRILLED HOLES PLATED WITH
0.008 MIN SnPb OVER 0.03
TO 0.01 Cu PLATING TO ACHIEVE
 $\varnothing 1.02 \pm .07$ HOLE.
 - 10 "DIM XXX" TO BE DETERMINED BY THE CUSTOMER.
 - 11 CONNECTOR KEEP-OUT ZONE.

mat'l code				tolerances unless otherwise specified		CUSTOMER		FCI	
ltr	ecr no.	dr	date	linear	0.X ± 0.3	COPY		www.fciconnect.com	
A					0.XX ± 0.13	projection		title	
				angles	0.XXX ± 0.051			3ACP + 4P + 20S VERTICAL STB RECEIPT	
				dr	0° ± 2°	MIM		product family PwrBlade code	
				enr	HEAVEN CEN 08/23/06	← MIM →		size 213	
				chr	SALLY LUO 08/23/06	scale		dwg no 4 of 4	
				appd	BEER FU 08/23/06	1:1		sheet	
					JOSEPH HSIA 08/23/06	A		4 of 4	
sheet index	revision sheet								

cage code 22526

Pro/E