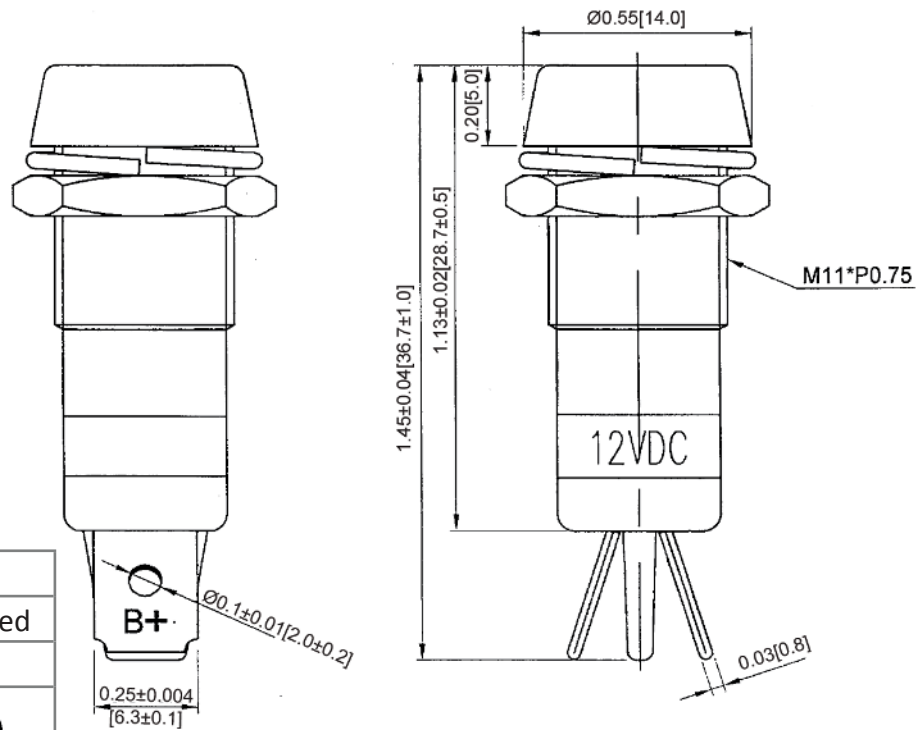
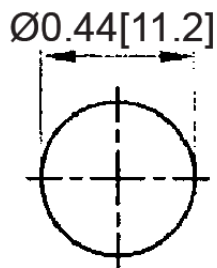


## Mechanical Dimensions: Inches [mm]

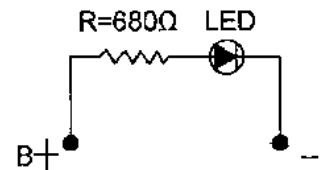
Tolerances  $\pm 0.012$  [0.3] Unless Otherwise Specified

LED Color	Green
Lens Color	Green Diffused
VF	2.1V
IF	20mA
Iv (mcd)	50mcd
Viewing Angle	30°

## Mounting Hole



## Circuit Diagram



## Electrical Specifications

Voltage Rating	12VDC
Insulation Resistance	DC 500V 100M ohms
Dielectric Strength	AC 500V 1 min
Operating Temperature	-20°C ~ 85°C

## Material Specifications

LED Size	8mm
Body	Brass, Chromium Plated
Base	PF (UL94V-1)
Terminal	Brass, Nickel Plated

**Rev**    **Date of issue**    **Revision Notes**

**Designed**    **Approved**

A	11-30-2020	Initial Drawing	RC	OF
---	------------	-----------------	----	----