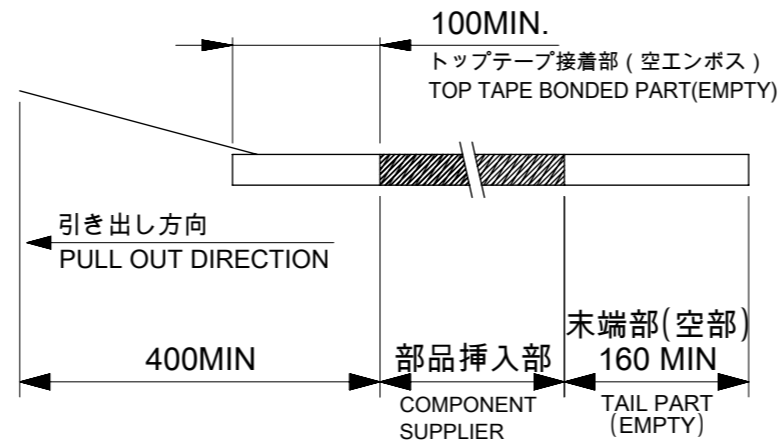


NOTES:

1. 梱包数量 : 380/リール
 NUMBER OF CONNECTORS : 380PIECES/REEL

2. リードテープ長さ
 LEAD TAPE LENGTH

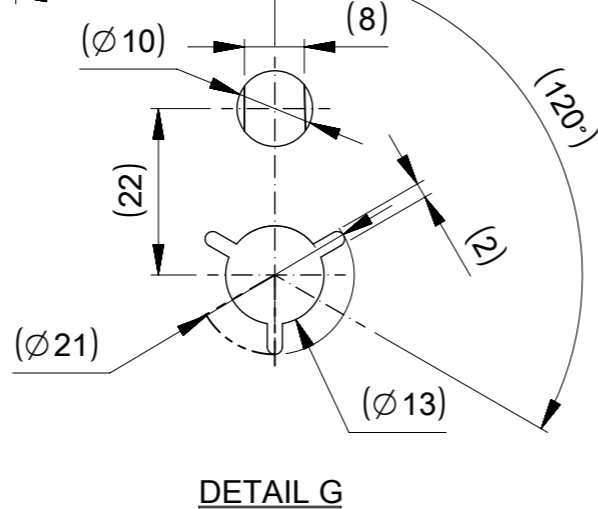
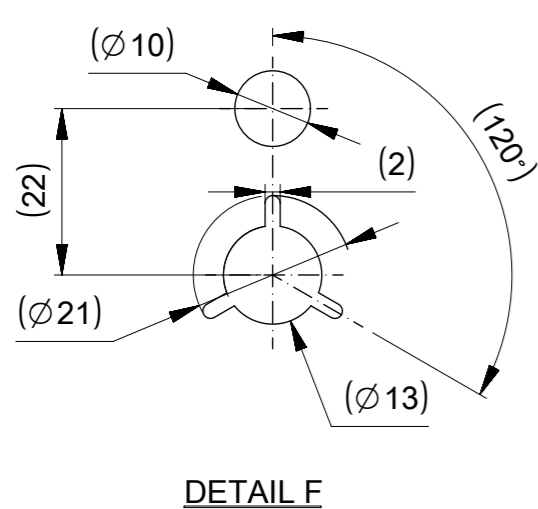
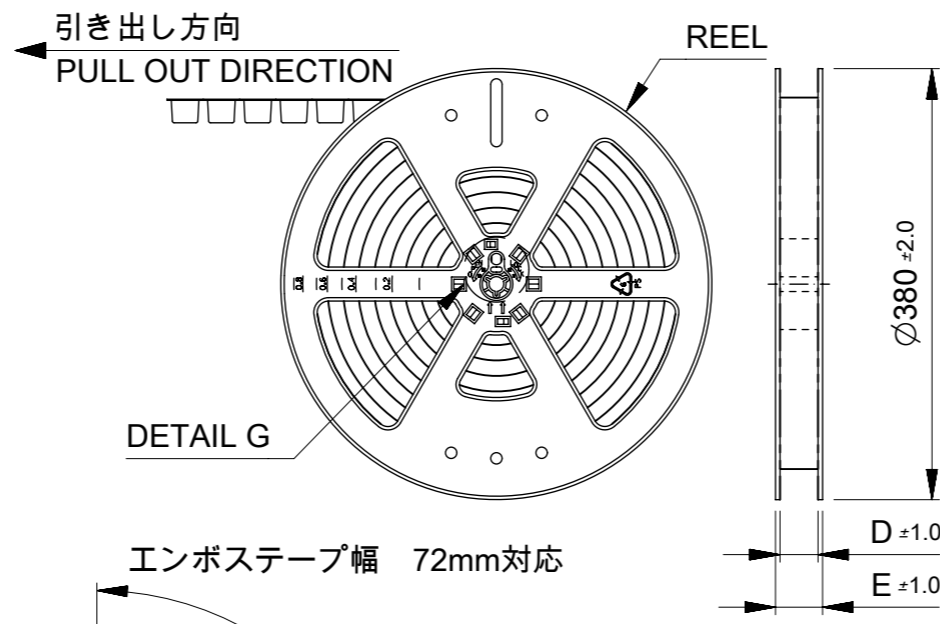
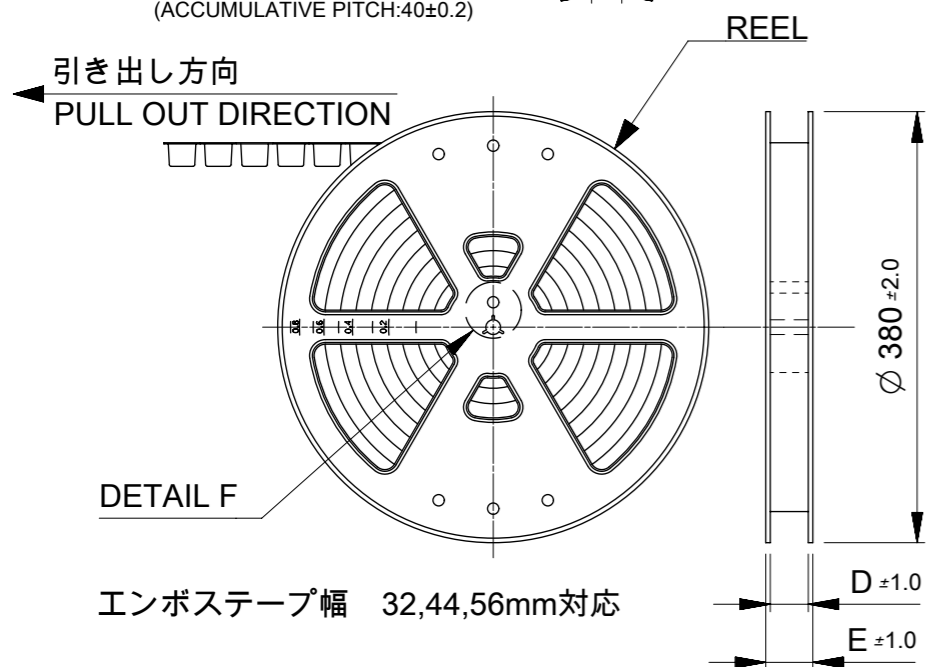
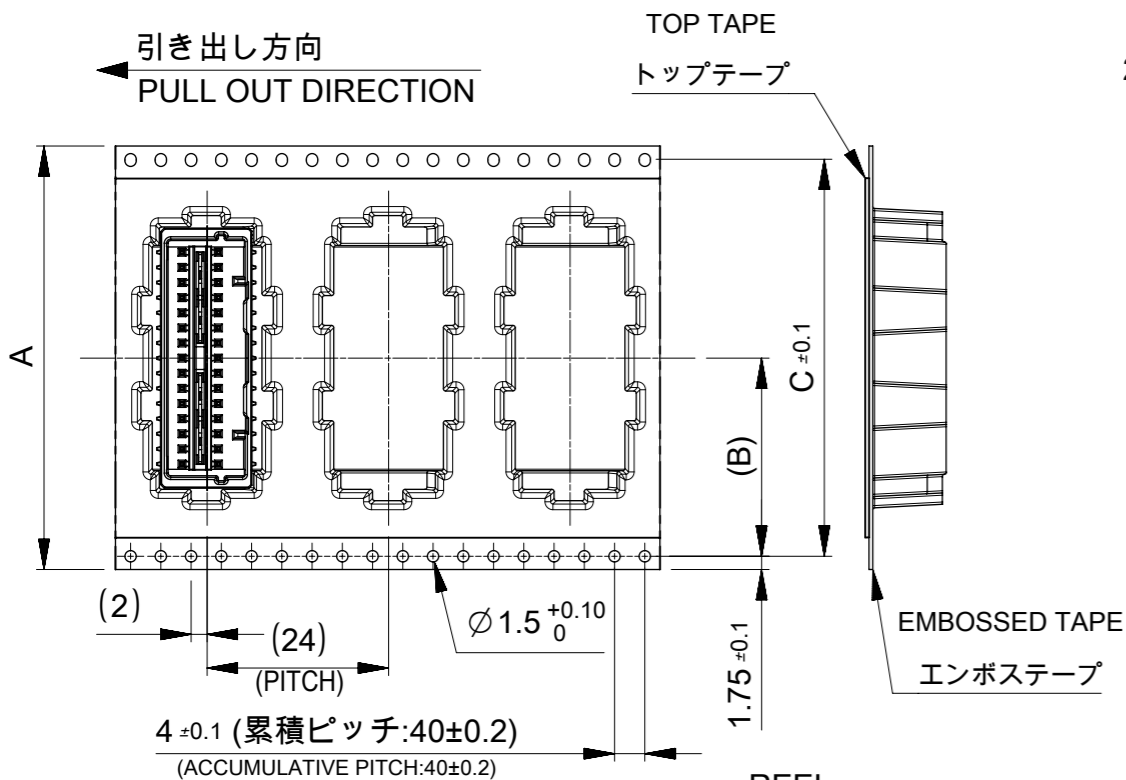


3. 材料

MATERIALS

キャリアテープ : ポリスチレン(PS)
 CARRIER TAPE : POLYSTYRENE(PS)
 トップテープ : ポリエステル(PET)、その他
 TOP TAPE : POLYESTER(PET)、OTHER
 リール : ポリスチレン(PS) リサイクル材を含む
 REEL : POLYSTYRENE(PS) RECYCLE MATERIAL CONTAINED

4. 製品詳細寸法については製品単体図面を参照して下さい。
 FOR THE DETAIL OF CONNECTOR DIMENSIONS,
 PLEASE REFER TO THE DRAWING OF CONNECTOR.



78.1	73.5	68.4	34.2	72 ^{+0.4} / _{-0.3}	201197 040*	40
					201197 038*	38
					201197 036*	36
					201197 034*	34
					201197 032*	32
					201197 030*	30
					201197 028*	28
					201197 026*	26
					201197 024*	24
					201197 022*	22
					201197 020*	20
					201197 018*	18
					201197 016*	16
					201197 014*	14
					201197 012*	12
					201197 010*	10
E	D	C	B	A エンボステープ幅 WIDTH OF TAPE	オーダー番号 ORDER NO.	極数 CKT NO.

THIS DRAWING CONTAINS INFORMATION THAT IS PROPRIETARY TO MOLEX ELECTRONIC TECHNOLOGIES, LLC AND SHOULD NOT BE USED WITHOUT WRITTEN PERMISSION

EC NO: 120503 DRWN: MHAYASHI CHK'D: KOMURAKAMI APPR: TKANEKO	2017/08/15	GENERAL TOLERANCES (UNLESS SPECIFIED)		DIMENSION UNITS	SCALE
	2017/08/24	ANGULAR TOL ± 3.0 °		mm	NTS
	2017/08/24	4 PLACES	± 0.2	DRWN BY	DATE
		3 PLACES	± 0.2	MHAYASHI	2017/08/15
		2 PLACES	± 0.2	CHK'D BY	DATE
	1 PLACE	± 0.2	KOMURAKAMI	2017/08/24	
	0 PLACES	± 0.2	APPR BY	DATE	
			TKANEKO	2017/08/24	
DRAFT WHERE APPLICABLE MUST REMAIN WITHIN DIMENSIONS		DRAWING SIZE	THIRD ANGLE PROJECTION		
		A3			

molex

SPOT-ON 2.0 W/B DUAL ROW EMBSTP PKG

PRODUCT CUSTOMER DRAWING

SERIES	MATERIAL NUMBER	CUSTOMER
201197	SEE CHART	
DOCUMENT NUMBER	DOC TYPE	DOC PART
2011970300-SD	PSD	000
SHEET NUMBER		
1 OF 2		

9

8

7

6

5

4

3

2

1

E

E

D

D

C

C

B


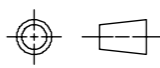
B

A

A

BLUE	YELLOW	RED	BLACK	NATURAL	HSG COLOR
201197 0404	201197 0403	201197 0402	201197 0401	201197 0400	40
201197 0384	201197 0383	201197 0382	201197 0381	201197 0380	38
201197 0364	201197 0363	201197 0362	201197 0361	201197 0360	36
201197 0344	201197 0343	201197 0342	201197 0341	201197 0340	34
201197 0324	201197 0323	201197 0322	201197 0321	201197 0320	32
201197 0304	201197 0303	201197 0302	201197 0301	201197 0300	30
201197 0284	201197 0283	201197 0282	201197 0281	201197 0280	28
201197 0264	201197 0263	201197 0262	201197 0261	201197 0260	26
201197 0244	201197 0243	201197 0242	201197 0241	201197 0240	24
201197 0224	201197 0223	201197 0222	201197 0221	201197 0220	22
201197 0204	201197 0203	201197 0202	201197 0201	201197 0200	20
201197 0184	201197 0183	201197 0182	201197 0181	201197 0180	18
201197 0164	201197 0163	201197 0162	201197 0161	201197 0160	16
201197 0144	201197 0143	201197 0142	201197 0141	201197 0140	14
201197 0124	201197 0123	201197 0122	201197 0121	201197 0120	12
201197 0104	201197 0103	201197 0102	201197 0101	201197 0100	10
エンボス梱包 ENBOSSED PKG					極数 CKT NO.
オーダー番号 ORDER NO.					

THIS DRAWING CONTAINS INFORMATION THAT IS PROPRIETARY TO MOLEX ELECTRONIC TECHNOLOGIES, LLC AND SHOULD NOT BE USED WITHOUT WRITTEN PERMISSION

EC NO: 120503 DRWN: MHAYASHI CHK'D: KOMURAKAMI APPR: TKANEKO	2017/08/15	2017/08/24	2017/08/24	GENERAL TOLERANCES (UNLESS SPECIFIED) ANGULAR TOL ± 3.0 ° 4 PLACES ± 0.2 3 PLACES ± 0.2 2 PLACES ± 0.2 1 PLACE ± 0.2 0 PLACES ± 0.2 DRAFT WHERE APPLICABLE MUST REMAIN WITHIN DIMENSIONS	DIMENSION UNITS	SCALE	 SPOT-ON 2.0 W/B DUAL ROW EMBSTP PKG						
					mm	NTS							
					DRWN BY	DATE							
							MHAYASHI	2017/08/15	PRODUCT CUSTOMER DRAWING				
					CHK'D BY	DATE							
					KOMURAKAMI	2017/08/24							
							TKANEKO	2017/08/24	SERIES	MATERIAL NUMBER	CUSTOMER		
					APPR BY	DATE			201197	SEE CHART			
							DRAWING SIZE	THIRD ANGLE PROJECTION	DOCUMENT NUMBER		DOC TYPE	DOC PART	SHEET NUMBER
							A3		2011970300-SD	PSD	000	2 OF 2	

RELEASE STATUS	P1	RELEASE DATE	24.08.2017	10:43:17
----------------	----	--------------	------------	----------

9

8

7

6

5

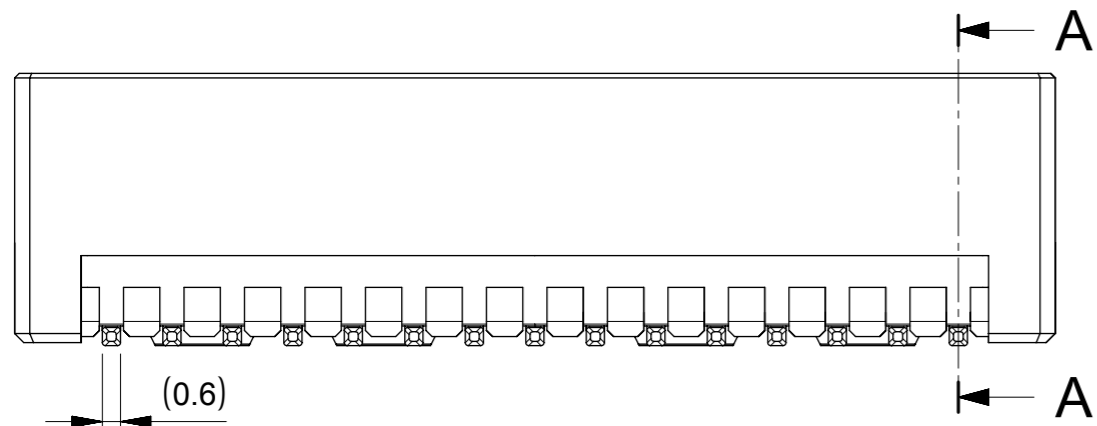
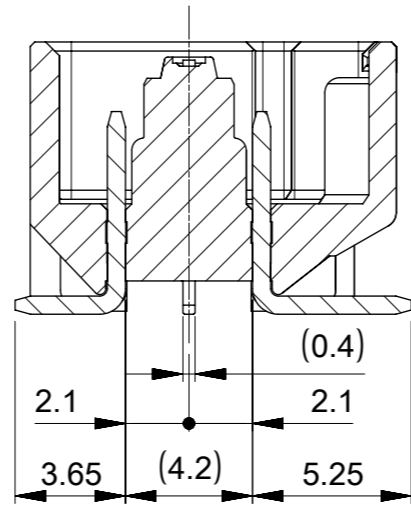
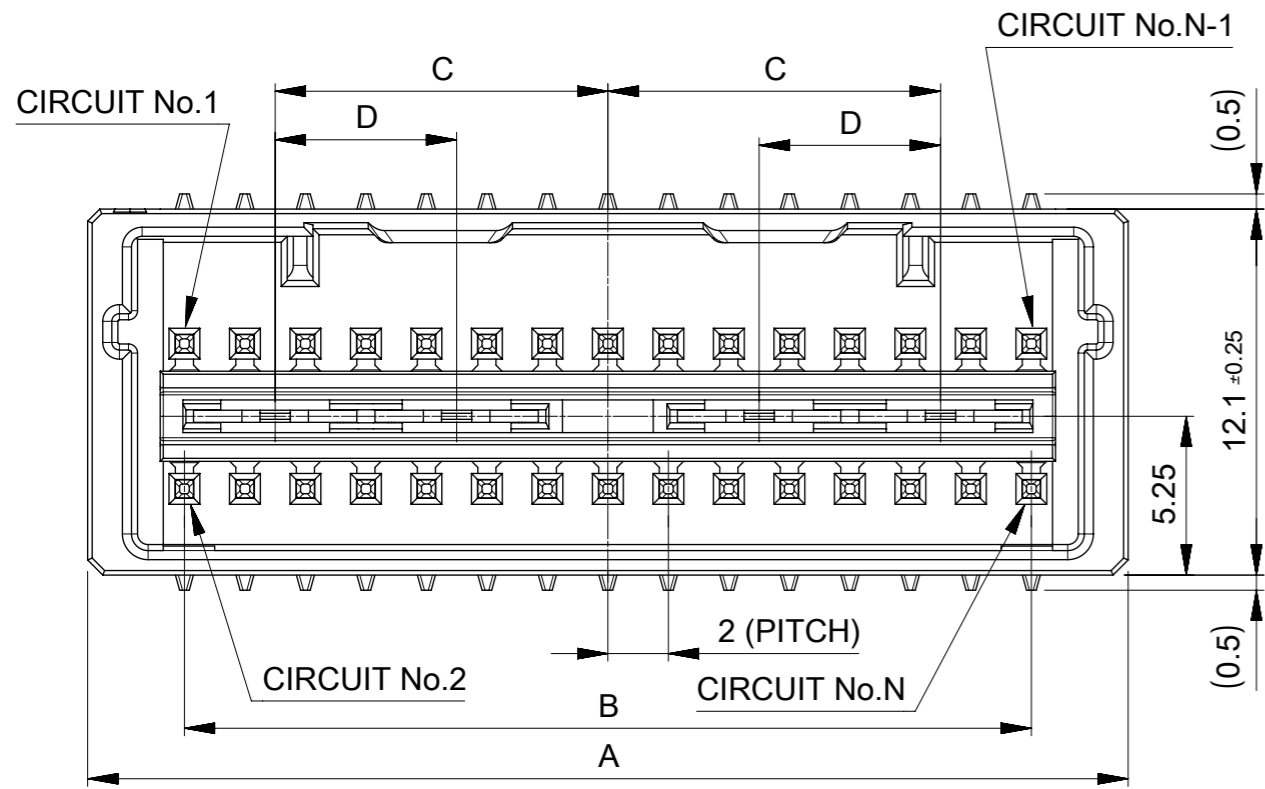
4

3

2

1

FORMAT: master-ib-prod-A3
REVISION: 5
DATE: 2017/02/06



NOTE

- 1.嵌合相手 : 201196 2***
MATE WITH:201196 2***
- 2.ターミナル及びネイルの平坦度 : 0.1MAX.
TERMINAL AND NAIL COPLANARITY TO BE 0.1MAX.
- 3.製品番号 MATERIAL NO.

2011970 ** *
極数 CIRCUIT SIZE 色 キータイプ COLOR KEY TYPE

NO.	COLOR	KEY TYPE
0	NATURAL	1
1	BLACK	2
2	RED	3
3	YELLOW	4
4	BLUE	5

NAIL QTY	D	C	B	A	2011970**	極数
5	6	16	38	44.4	201197040*	40
5	6	15	36	42.4	201197038*	38
5	6	14	34	40.4	201197036*	36
5	6	13	32	38.4	201197034*	34
5	6	12	30	36.4	201197032*	32
4	6	11	28	34.4	201197030*	30
4	6	10	26	32.4	201197028*	28
4	6	9	24	30.4	201197026*	26
3	---	8	22	28.4	201197024*	24
3	---	7	20	26.4	201197022*	22
3	---	6	18	24.4	201197020*	20
2	---	5	16	22.4	201197018*	18
2	---	4	14	20.4	201197016*	16
2	---	3	12	18.4	201197014*	14
1	---	---	10	16.4	201197012*	12
1	---	---	8	14.4	201197010*	10
					エンボス梱包 EMBOSSED PKG	極数 CKT NO.
					オーダー番号 ORDER NO.	

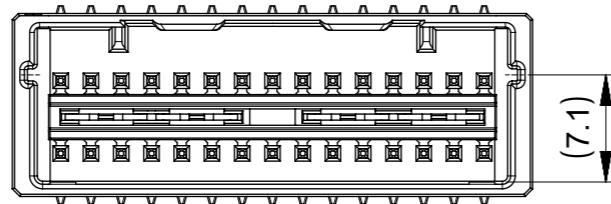
部品 PART	材質 MATERIAL
ハウジング HOUSING	ポリアミド(PA)、ガラス充填、UL94 V-0 POLYAMIDE(PA),GLASS FILLED, UL94 V-0
ターミナル TERMINAL	黄銅 BRASS
	錫めっき、リフロア処理(前めっき) : 1.0μm以上 PRE-TIN PLATED (HEAT TREATED MATTE TIN) : 1.0 micro-meter MIN. 銅めっき(下地) : 0.5μm以上 COPPER (UNDER PLATING) : 0.5 micro-meter MIN.
ネイル NAIL	黄銅 BRASS
	錫めっき : 1.0μm以上 MATTE TIN : 1.0 micro-meter MIN. ニッケルめっき(下地) : 1.0μm以上 NICKEL (UNDER PLATING) : 1.0 micro-meter MIN.

THIS DRAWING CONTAINS INFORMATION THAT IS PROPRIETARY TO MOLEX ELECTRONIC TECHNOLOGIES, LLC AND SHOULD NOT BE USED WITHOUT WRITTEN PERMISSION

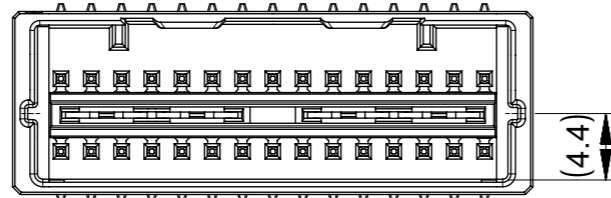
EC NO: 120503 DRWN: MHAYASHI CHK'D: KOMURAKAMI APPR: TKANEKO	GENERAL TOLERANCES (UNLESS SPECIFIED)		DIMENSION UNITS	SCALE	
	ANGULAR TOL ± 3.0 °		mm	4:1	
	4 PLACES ±	DRWN BY	DATE		
	3 PLACES ±	MHAYASHI	2017/08/15		
	2 PLACES ± 0.2	CHK'D BY	DATE		
1 PLACE ± 0.2	KOMURAKAMI	2017/08/24			
0 PLACES ± 0.2	APPR BY	DATE			
DRAFT WHERE APPLICABLE MUST REMAIN WITHIN DIMENSIONS		TKANEKO	2017/08/24		
		DRAWING SIZE	THIRD ANGLE PROJECTION		
		A3			
			PRODUCT CUSTOMER DRAWING		
		SERIES	MATERIAL NUMBER	CUSTOMER	
		201197	SEE CHART		
RELEASE STATUS P1		RELEASE DATE	24.08.2017 10:43:19		
		DOCUMENT NUMBER	DOC TYPE	DOC PART	
		2011971300-SD	PSD	000	
		SHEET NUMBER		1 OF 3	

MATING
KEY TYPE & COLOR

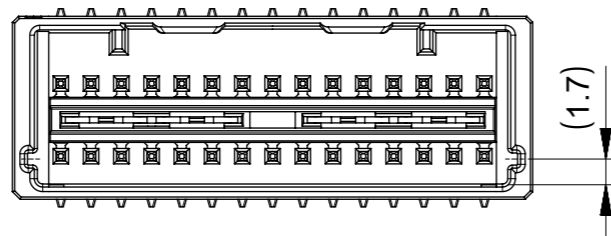
KEY TYPE:1
MAT No.:2011970**0
COLOR:NATURAL



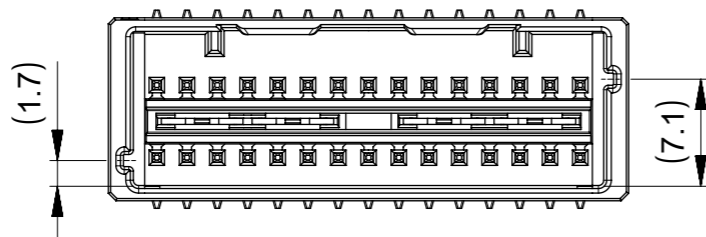
KEY TYPE:2
MAT No.:2011970**1
COLOR:BLACK



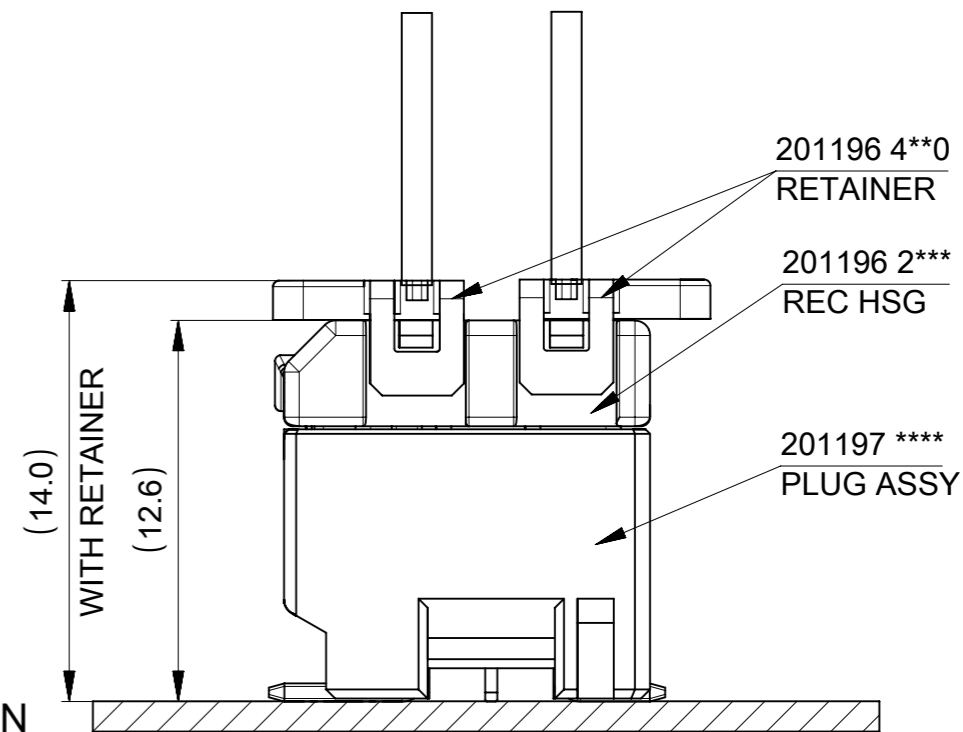
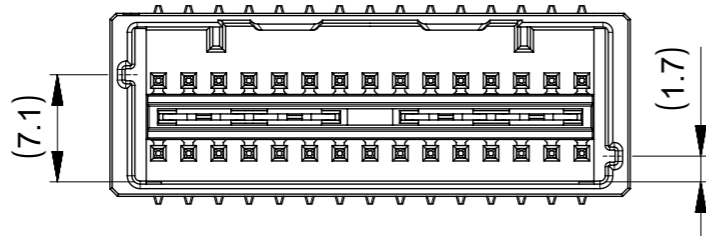
KEY TYPE:3
MAT No.:2011970**2
COLOR:RED



KEY TYPE:4
MAT No.:2011970**3
COLOR:YELLOW



KEY TYPE:5
MAT No.:2011970**4
COLOR:BLUE

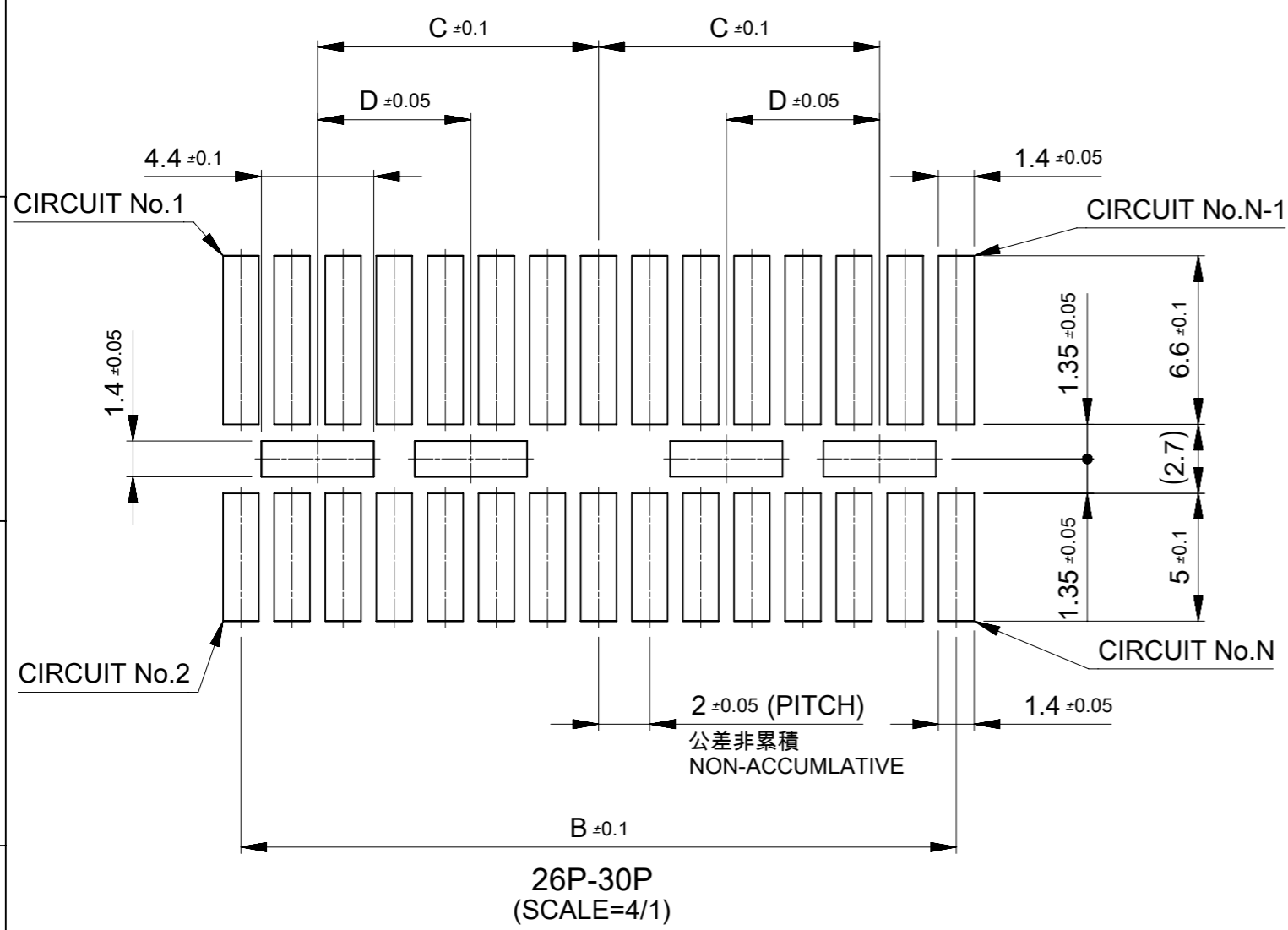


嵌合寸法
MATED DIMENSION

BLUE	YELLOW	RED	BLACK	NATURAL	HSG COLOR
201197 0404	201197 0403	201197 0402	201197 0401	201197 0400	40
201197 0384	201197 0383	201197 0382	201197 0381	201197 0380	38
201197 0364	201197 0363	201197 0362	201197 0361	201197 0360	36
201197 0344	201197 0343	201197 0342	201197 0341	201197 0340	34
201197 0324	201197 0323	201197 0322	201197 0321	201197 0320	32
201197 0304	201197 0303	201197 0302	201197 0301	201197 0300	30
201197 0284	201197 0283	201197 0282	201197 0281	201197 0280	28
201197 0264	201197 0263	201197 0262	201197 0261	201197 0260	26
201197 0244	201197 0243	201197 0242	201197 0241	201197 0240	24
201197 0224	201197 0223	201197 0222	201197 0221	201197 0220	22
201197 0204	201197 0203	201197 0202	201197 0201	201197 0200	20
201197 0184	201197 0183	201197 0182	201197 0181	201197 0180	18
201197 0164	201197 0163	201197 0162	201197 0161	201197 0160	16
201197 0144	201197 0143	201197 0142	201197 0141	201197 0140	14
201197 0124	201197 0123	201197 0122	201197 0121	201197 0120	12
201197 0103	201197 0103	201197 0102	201197 0101	201197 0100	10
インボス梱包 EMBOSSED PKG					極数 CKT NO.
オーダー番号 ORDER NO.					

THIS DRAWING CONTAINS INFORMATION THAT IS PROPRIETARY TO MOLEX ELECTRONIC TECHNOLOGIES, LLC AND SHOULD NOT BE USED WITHOUT WRITTEN PERMISSION

EC NO: 120503 DRWN: MHAYASHI CHK'D: KOMURAKAMI APPR: TKANEKO	GENERAL TOLERANCES (UNLESS SPECIFIED)		DIMENSION UNITS mm	SCALE NTS 2:1				
	ANGULAR TOL ± 3.0 °		DRWN BY MHAYASHI	DATE 2017/08/15				SPOT-ON 2.0 W/B DUAL ROW SMT PLUG ASSY
	4 PLACES ±	3 PLACES ±	CHK'D BY KOMURAKAMI	DATE 2017/08/24	PRODUCT CUSTOMER DRAWING			
	2 PLACES ± 0.2	1 PLACE ± 0.2	APPR BY TKANEKO	DATE 2017/08/24				SERIES 201197
DRAFT WHERE APPLICABLE MUST REMAIN WITHIN DIMENSIONS		DRAWING SIZE A3	THIRD ANGLE PROJECTION		DOCUMENT NUMBER 2011971300-SD	DOC TYPE PSD	DOC PART 000	SHEET NUMBER 2 OF 3

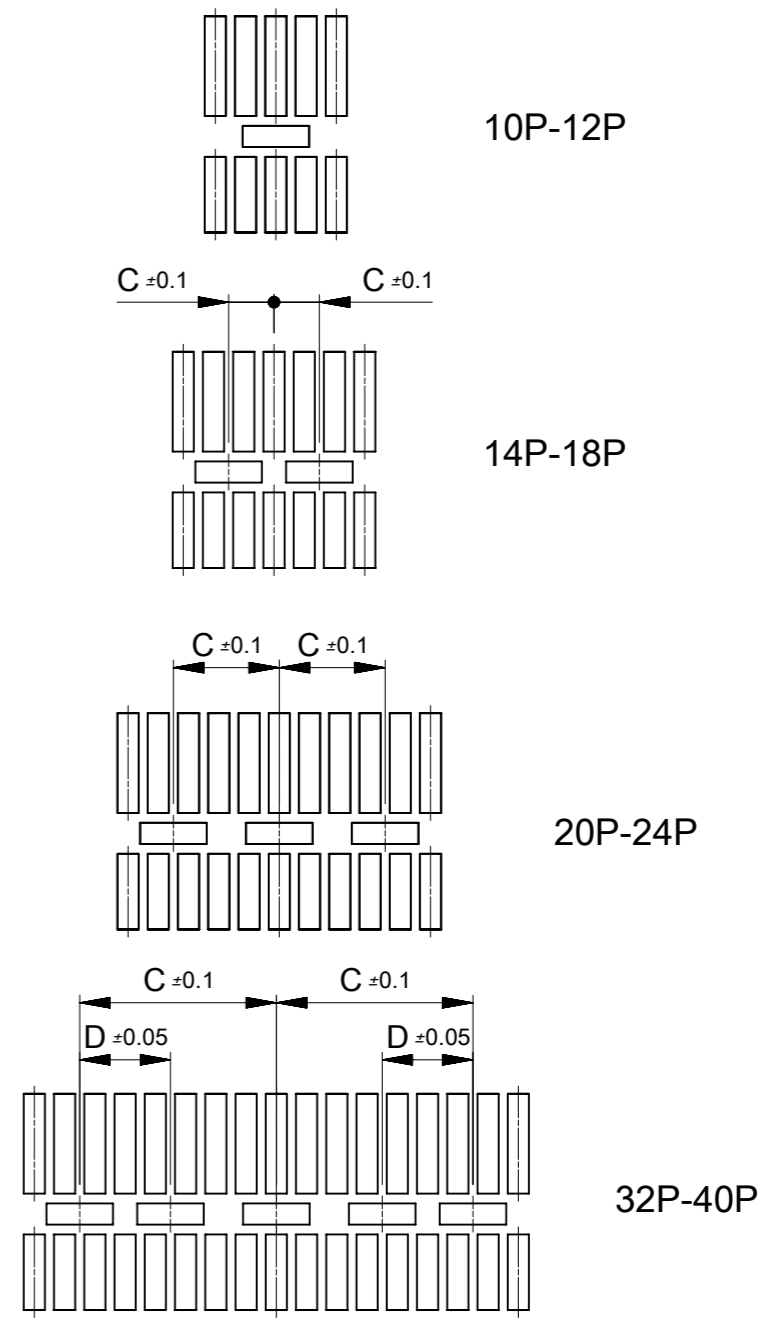


推奨基板レイアウト

RECOMMENDED PWB PATTERN LAYOUT

(参考 : メタルマスク厚さ : 120μm, マスク開口率100%)

(REFERENCE : STENCIL THICKNESS : 120μm, APERTURE RATIO : 100%)



THIS DRAWING CONTAINS INFORMATION THAT IS PROPRIETARY TO MOLEX ELECTRONIC TECHNOLOGIES, LLC AND SHOULD NOT BE USED WITHOUT WRITTEN PERMISSION

EC NO: 120503 DRWN: MHAYASHI CHK'D: KOMURAKAMI APPR: TKANEKO	2017/08/15 2017/08/24 2017/08/24	GENERAL TOLERANCES (UNLESS SPECIFIED) ANGULAR TOL ± 3.0 °	DIMENSION UNITS: mm SCALE: NTS ±		
	4 PLACES ± 3 PLACES ± 2 PLACES ± 0.2 1 PLACE ± 0.2 0 PLACES ± 0.2	DRWN BY: MHAYASHI DATE: 2017/08/15	CHK'D BY: KOMURAKAMI DATE: 2017/08/24		PRODUCT CUSTOMER DRAWING
	DRAFT WHERE APPLICABLE MUST REMAIN WITHIN DIMENSIONS	APPR BY: TKANEKO DATE: 2017/08/24	DRAWING SIZE: A3 THIRD ANGLE PROJECTION		SERIES: 201197 MATERIAL NUMBER: SEE CHART CUSTOMER:
	RELEASE STATUS: P1 RELEASE DATE: 24.08.2017 10:43:19	DOCUMENT NUMBER: 2011971300-SD DOC TYPE: PSD DOC PART: 000 SHEET NUMBER: 3 OF 3			
	A	REV	A3		A