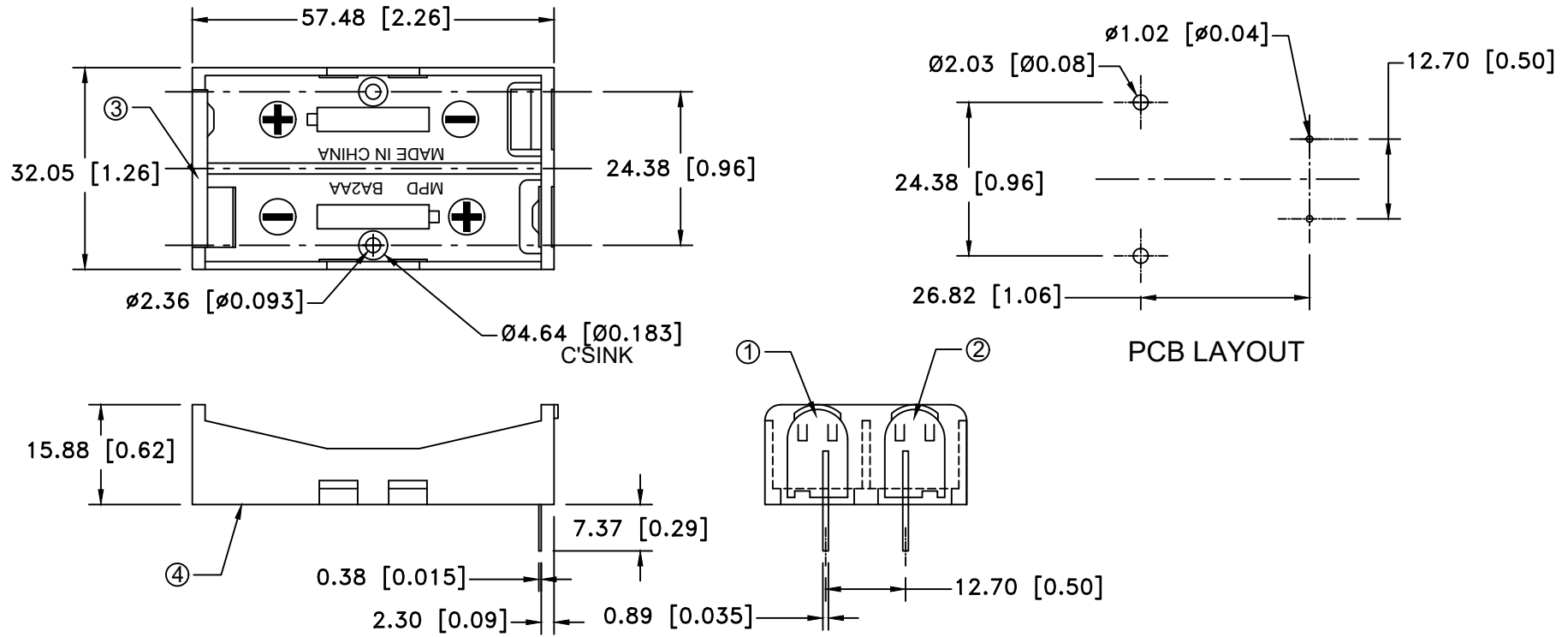



SPECIFICATION:

- HOUSING : BLACK POLYPROPYLENE
 FLAMMABILITY RATING -UL94-HB, UL FILE NO. E216959
 TEMPERATURE RANGE: -10°C to +100°C
 CONTACTS: NICKEL PLATED STAINLESS STEEL
 CONTACT RESISTANCE: UNDER 50mΩ FOR +/- CONTACTS PER EIA-540J000
 ROHS COMPLIANT

Date	SYM	REVISION RECORD	AUTH	DR.	CK.
07/01/16	E	Changed contact material to 301 Stainless Steel	T.B.	B.S.	
05/11/18	F	Dim. 2.03 was 2.36 Dim. 4.64 was 4.57	T.B.	B.S.	
02/27/19	G	Updated note to "ROHS COMPLIANT"	T.B.	B.S.	
08/17/22	H	Corrected orientation of markings	T.B.	B.S.	



ITEM NO.	PART NO.	MATL. SPECIFICATION	QTY.
1	ABG-194	POSITIVE CONTACT, 301 STAINLESS STEEL, NICKEL PLTD.	1
2	ABG-195	NEGATIVE CONTACT, 301 STAINLESS STEEL, NICKEL PLTD.	1
3	ABG-196-1	RIGHT NEG./POS. CONTACT, 301 STAINLESS STEEL, NICKEL PLTD.	1
4	ABG-197	BLACK POLYPROPYLENE HOLDER, UL94-HB	1

Tolerance (Except as noted)		 Memory Protection Devices, Inc 200 Broad Hollow Road, Farmingdale, New York 11735	
decimal	±.5 (.020)	Scale	Drawn By B.S.
Fractional	± .8 (.030)	Approved By T.B.	
Angular	± 3°	Title TWO "AA" CELL SPRINGLESS HOLDER	
		Date 08/17/22	Drawing Number BA2AAPC

MOUNTING INSTRUCTION:
 USE 2-56 MACHINE SCREWS OR EYELETS 0.089" OD BY 0.15" FLANGE STIMPSON GS-3 SERIES OR EQUIVALENT. ALSO ADHESIVES AND DOUBLE SIDED TAPES WORK WELL.