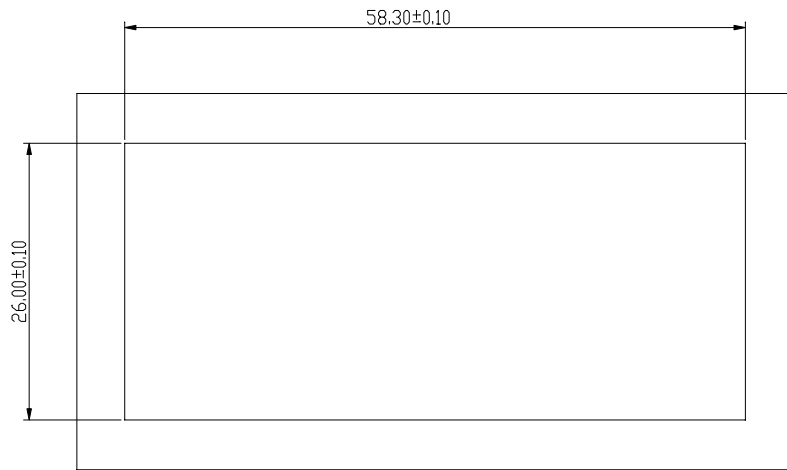


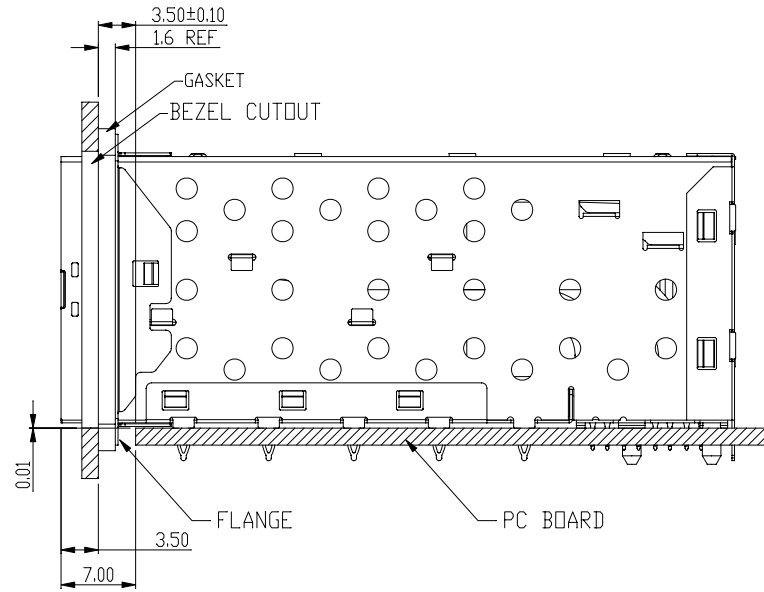
Qty Per:	TRAY	CARTON		
	6	36		
PART NUMBER	STATEMENT			
SFPP-3126-L	SFP PLUS/INNER&OUTER LIGHT PIPES			
	SFP PLUS/INNER LIGHT PIPES			
	SFP PLUS/OUTER LIGHT PIPES			
No.	DESCRIPTION	Q'ty	MATERIAL	PLATING
01	SFP CAGE (Non-Logo)	1	COPPER ALLOY	
02	CONNECTOR	4	HIGH TEMP/COPPER ALLOY	GOLD
03	LIGHT PIPES	4	POLYCARBONITE	
04	EMI GASKET	1	CONDUCTIVE POLYMER	

DETACHED LISTS	MM (INCH)	RoHS Compliant		
	TOLERANCES EXCEPT AS NOTED			
	.0 ± 0.25 ±	TITLE		
	.00 ± 0.20 ±	W/LIGHT PIPES&GASKET		
.000 ± 0.10 ±	SFP PLUS 2 BY 4 CAGE+CONNECTOR_P		SIZE	REV
ANGLES ± 0.5	DFTD Jack	DRAWING NO. CSFPP-3126-L	A3	0
THIRD ANGLE PROJECTION	DATE 7/24/09'	/PART NO. SFPP-3126-L		
	SCALE : 2:1	DO NOT SCALE DRAWING	SHEET 1	OF 4

8 | 7 | 6 | 5 | 4 | 3 | 2 | 1



BEZEL CUT-OUT CENTER SPACING DETAIL
BEZEL THICKNESS:0.8-2.6



DETACHED LISTS		RoHS Compliant				
	TOLERANCES EXCEPT AS NOTED		TITLE SFP PLUS 2 BY 4 CAGE+CONNECTOR_P W/LIGHT PIPES&GASKET			
	MM					±
	.0 ± 0.25 .00 ± 0.20 .000 ± 0.10					± ± ±
ANGLES ± 0.5	DFTD Jack DRAWING NO. CSFPP-3126-L SIZE REV DATE 7/24/09' /PART NO. SFPP-3126-L A3 0					
 THIRD ANGLE PROJECTION	SCALE : 2:1	DO NOT SCALE DRAWING	SHEET 2	OF 4		

8

7

6

5

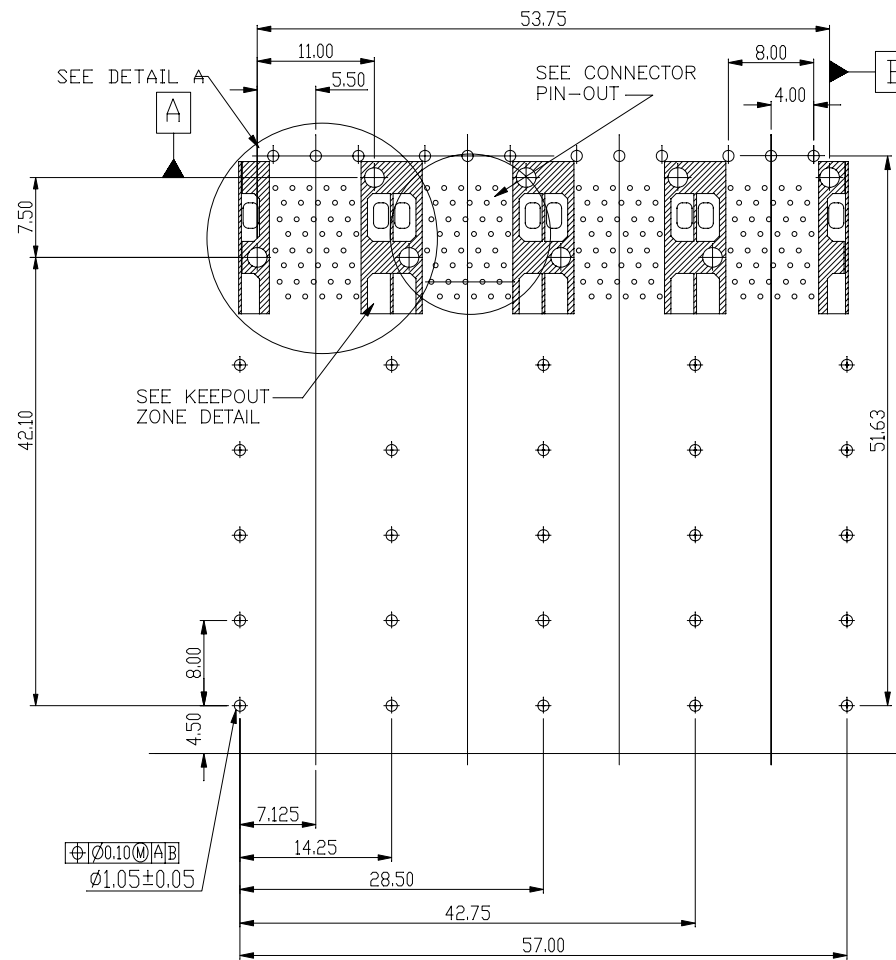
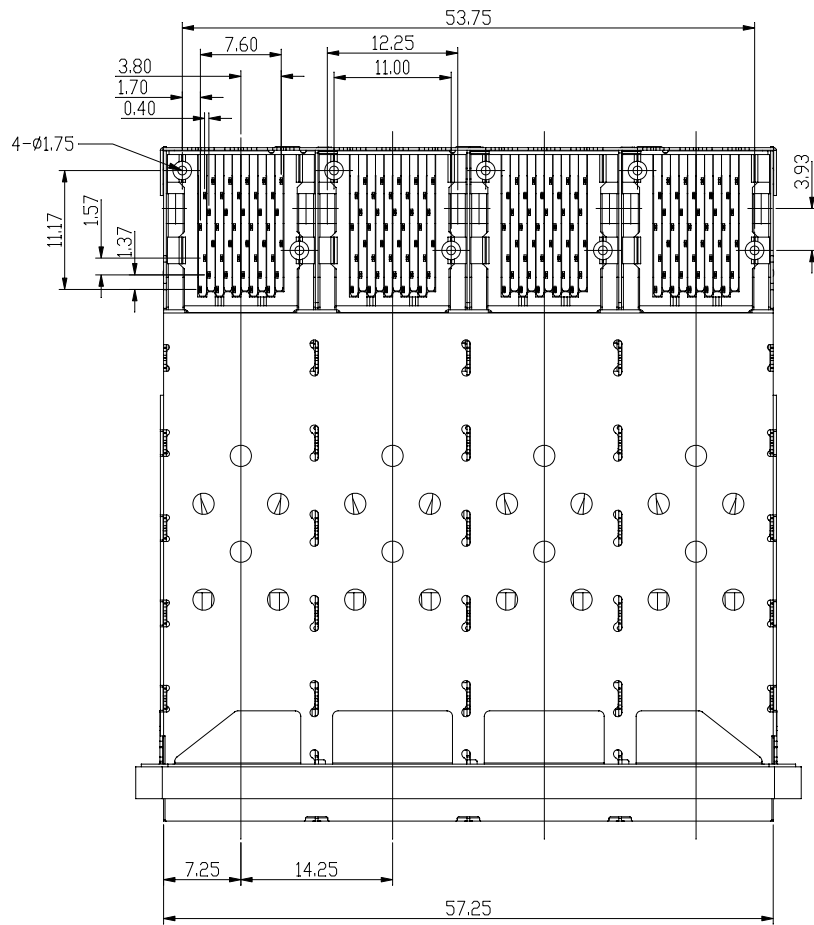
4

3

2

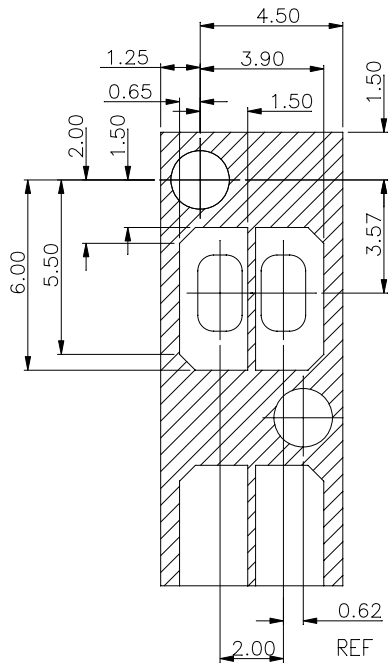
1

H
G
F
E
D
C
B
A

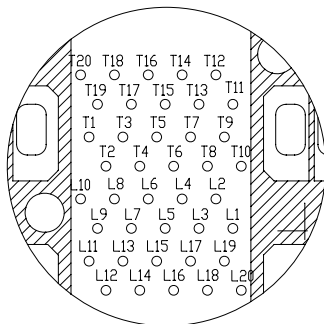


DETACHED LISTS	MM (INCH)		RoHS Compliant			
	TOLERANCES EXCEPT AS NOTED		TITLE SFP PLUS 2 BY 4 CAGE+CONNECTOR_P W/LIGHT PIPES&GASKET			
	MM	±				
	.0 ± 0.25 .00 ± 0.20 .000 ± 0.10	± ± ±				
ANGLES ± 0.5		DFTD Jack		DRAWING NO. CSFPP-3126-L		
 THIRD ANGLE PROJECTION		DATE 7/24/09'		/PART NO. SFPP-3126-L		
		SCALE : 2:1		DO NOT SCALE DRAWING		
				SIZE A3	REV 0	
				SHEET 3 OF 4		

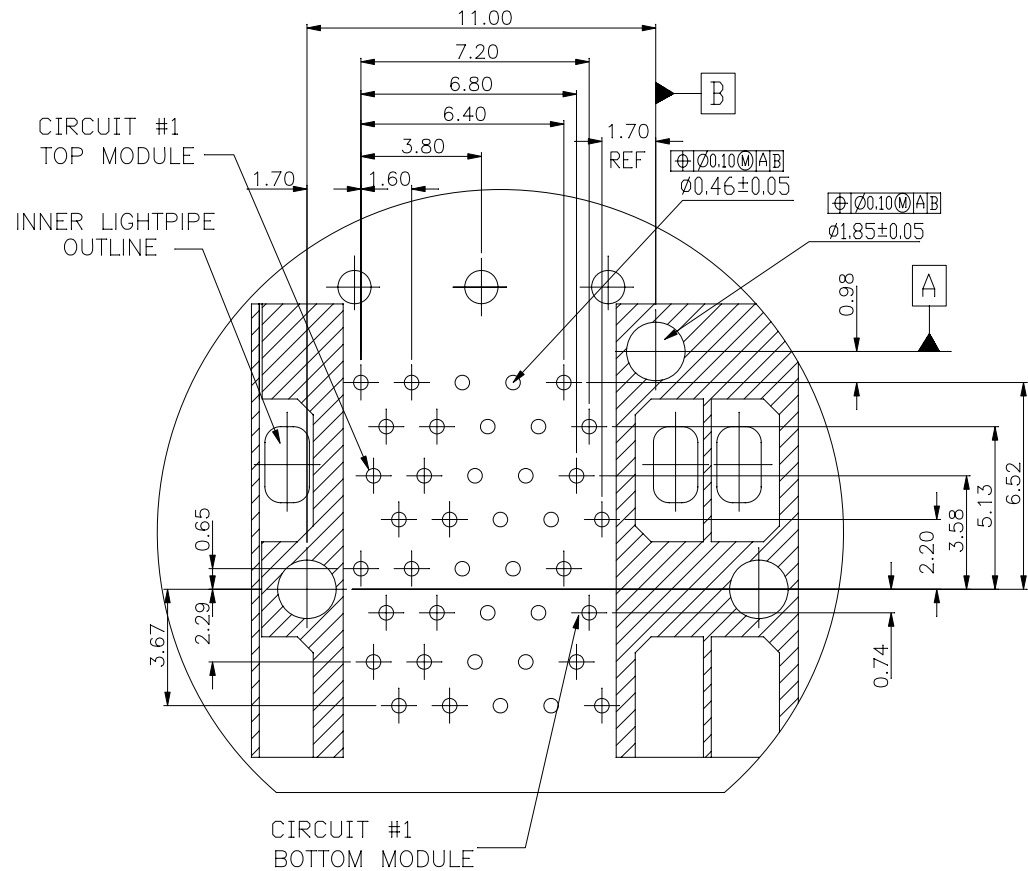
H
G
F
E
D
C
B
A



KEEP-OUT ZONE DETAIL
SCALE 6:1



CONNECTOR PIN-OUT
COMPONENT SIDE OF BOARD



DETAIL A
SCALE 6:1

DETACHED LISTS		RoHS Compliant		TITLE		SIZE	REV						
	TOLERANCES EXCEPT AS NOTED			W/LIGHT PIPES&GASKET		A3	0						
	<table border="1"> <tr><td>.0 ± 0.25</td><td style="text-align: center;">±</td></tr> <tr><td>.00 ± 0.20</td><td style="text-align: center;">±</td></tr> <tr><td>.000 ± 0.10</td><td style="text-align: center;">±</td></tr> </table>	.0 ± 0.25	±	.00 ± 0.20	±	.000 ± 0.10	±	ANGLES ± 0.5		SFP PLUS 2 BY 4 CAGE+CONNECTOR_P			
	.0 ± 0.25	±											
.00 ± 0.20	±												
.000 ± 0.10	±												
	SCALE : 2:1		DFTD Jack		DRAWING NO. CSFPP-3126-L		SHEET 4						
		DATE 7/24/09'		/PART NO. SFPP-3126-L		OF 4							
		DD NOT SCALE DRAWING		SHEET 4		OF 4							