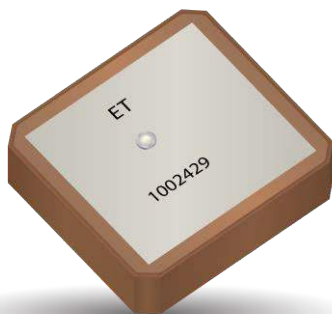


Part No. 1002429

GLONASS Ceramic Patch Antenna

1.602 GHz

Supports: Tracking, Smart Home, Agriculture, Automotive, Healthcare, Digital Signage, Wearables, Industrial Devices



GLONASS Ceramic Patch Antenna

1.593 – 1.610 GHz

KEY BENEFITS

Reduced Costs and Time-to-Market

Standard antenna eliminates design fees and cycle time associated with a custom solution; getting products to market faster.

Quicker Time-to-Market

By optimizing antenna size, performance and emissions, customer and regulatory specifications are more easily met.

Reliability

Products are the latest RoHS version compliant.

APPLICATIONS

- Embedded design
- POS, Headsets, Tablets
- Gateway, Access Point
- Handheld
- Telematics
- Tracking
- Healthcare
- M2M, Industrial devices
- Smart Grid
- OBD-II

KYOCERA AVX antennas deliver on the key needs of device designers for higher functionality and performance in smaller/thinner designs. These innovative antennas provide compelling advantages for a GLONASS enabled handheld devices, media players and other mobile devices.

Electrical Specifications

Frequency	1.593 – 1.610 (GHz)
Efficiency	70%
Center Frequency f_0	1602 ± 5.0 MHz
Return Loss	< -16 dB
Gain 0° XZ-Plane	6.50 dBic
Polarization	R.H.C.P
Impedance	50 ohm
Axial Ratio	< 3 dB

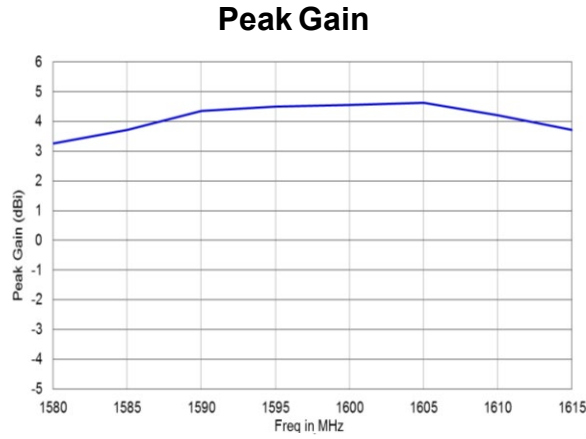
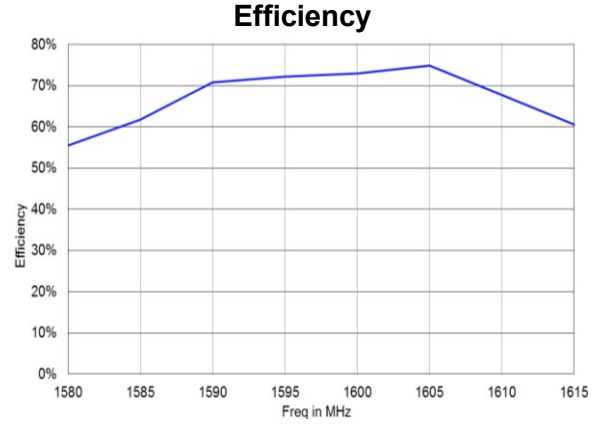
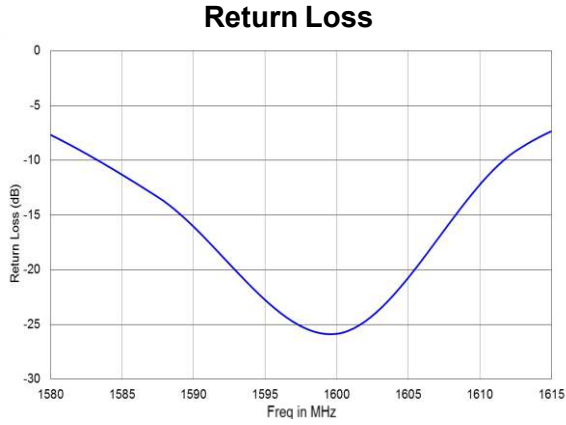
Mechanical Specifications & Ordering Part Number

Ordering Part Number	1002429
Size (mm)	25.0 x 25.0 x 4.5
Mounting (mm)	Adhesive (Nitto 5000NS 22 x 22 x 0.16) & 1 through-hole Soldered Pin
Weight (grams)	9.4
Packaging	Plastic Tray

GLONASS Ceramic Patch Antenna KYOCERA AVX Embedded Antenna Specifications
 KYOCERA AVX produces a wide variety of standard and custom antennas to meet user needs.

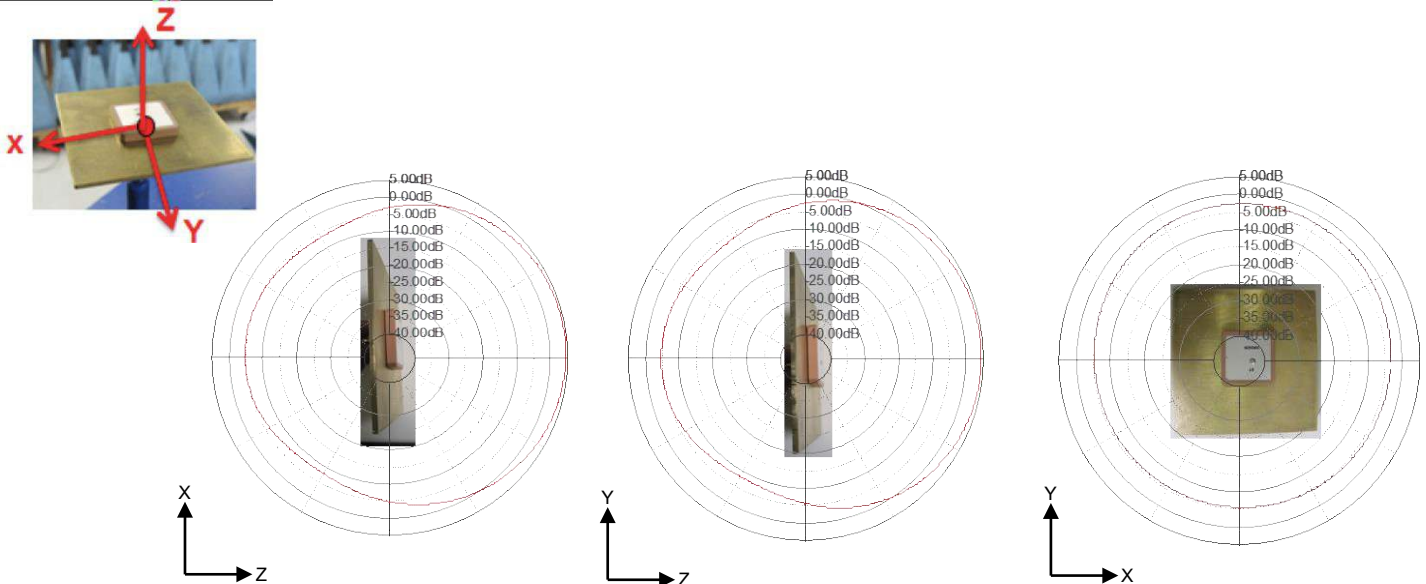
VSWR, Efficiency, Peak Gain Plots

Typical performance on 60 x 60 mm PCB



Antenna Radiation Patterns

Typical performance on 60 x 60 mm PCB

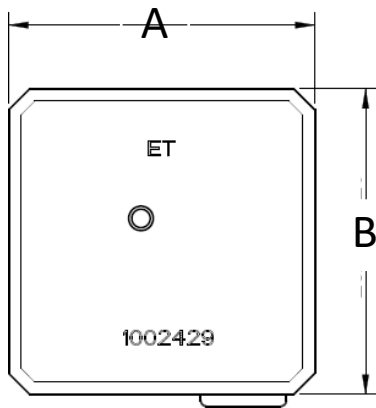


GLONASS Ceramic Patch Antenna KYOCERA AVX Embedded Antenna Specifications
 KYOCERA AVX produces a wide variety of standard and custom antennas to meet user needs.

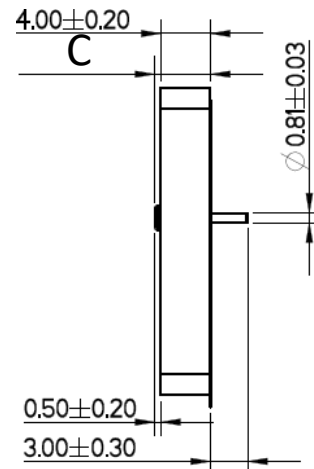
Mechanical Dimensions

Typical antenna dimensions, in mm.

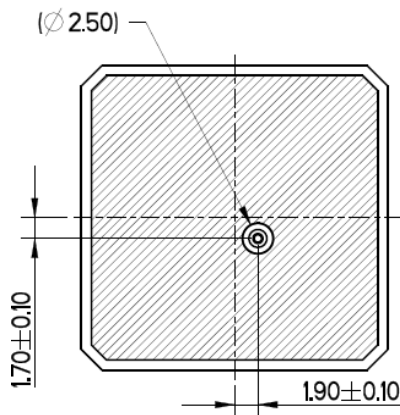
Part Number	A (mm)	B (mm)	C (mm)
1002429	25.0 ± 0.2	25.0 ± 0.2	4.5 ± 0.4



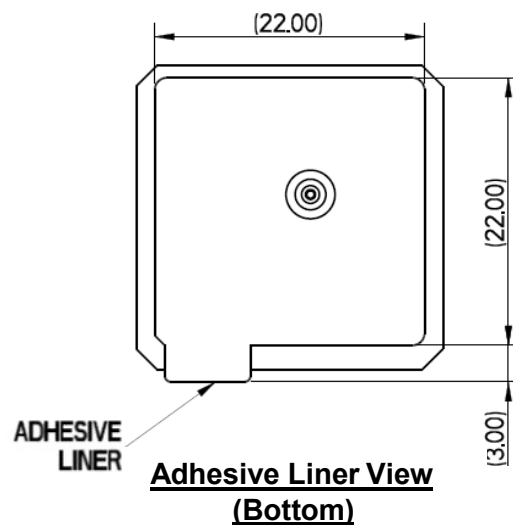
Top View



Side View



Bottom View



Adhesive Liner View (Bottom)