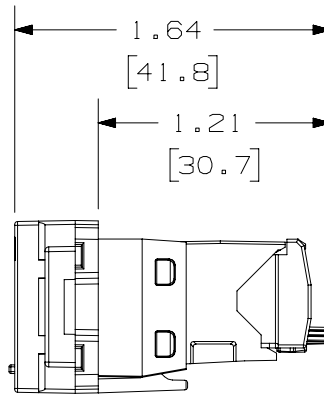
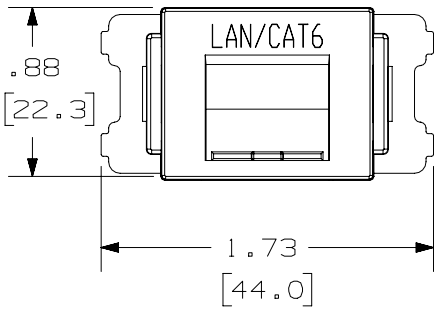
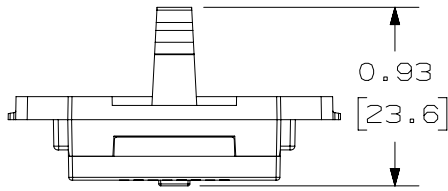


THIS COPY IS PROVIDED ON A RESTRICTED BASIS AND IS NOT TO BE USED IN ANY WAY DETRIMENTAL TO THE INTERESTS OF PANDUIT CORP.

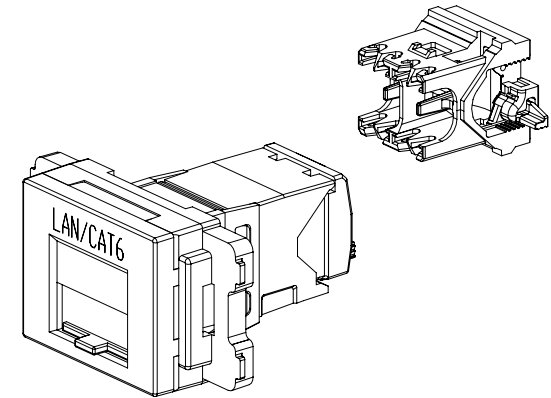
PANDUIT P/N	WEIGHT
JA0SSP6TG**	.28 LB/10 PCS (127 g/10 PCS)



VIEW SHOWN WITH A STANDARD TERMINATION CAP.

NOTES:

1. SEE PANDUIT WEBSITE FOR ADDITIONAL PART NUMBER SUFFIXES TO INDICATE COLOR AND OR PACKAGE QUANTITY.
2. SEE PANDUIT WEBSITE FOR COMPLETE LIST OF PARTS APPLICABLE FOR USE WITH THIS PART.
3. DIMENSIONS IN PARENTHESES ARE IN METRIC.
4. PART INCLUDES:
 - 1- ADAPTER WITH OPAQUE DOOR AND LAN/CAT6 PRINT
 - 1- MINI-COM CAT6 JACK MODULE
 - 1- RIGHT ANGLE TERMINATION CAP



TITLE						MINI-COM 1 POSITION JIS SPRING SHUTTERED ADAPTER KIT						
						CUSTOMER DRAWING						
ITEM REVISION NAME						M02079CB/02						
DATASET FILE NAME						M02079CB_DC/02A						
UNLESS OTHERWISE SPECIFIED, DIMENSIONAL TOLERANCES ARE: IN (mm)						PANDUIT MATERIAL: ADAPTER- ABS DOOR- ABS SPRING- SPRING STEEL						
.x ± .1 [2.54] .xxx ± .005 [.127] .xx ± .01 [.25] ANGLES ± 5 °												
DRAWING NUMBER:						02079CB-01						
REV	DATE	BY	CHK	APR	DESCRIPTION	ECN	DRAWN BY	DATE	CHK	SCALE	SHT 1 OF 1	SIZE
2	5-24-18	TWV	MDJR	MMR	ADDED NOTE & IMAGE OF RIGHT ANGLED CAP	02079CB-01	MDJR	6/29/16	MMR	NONE		A
1	6-28-17	BJN	MDJR	MMR	REMOVED NOTE & IMAGE OF RIGHT ANGLED CAP	02079CB-01						
R	9/06/16	MDJR	NAGL	MMR	RELEASED TO PRODUCTION	02079CB-01						

D101000DA/14