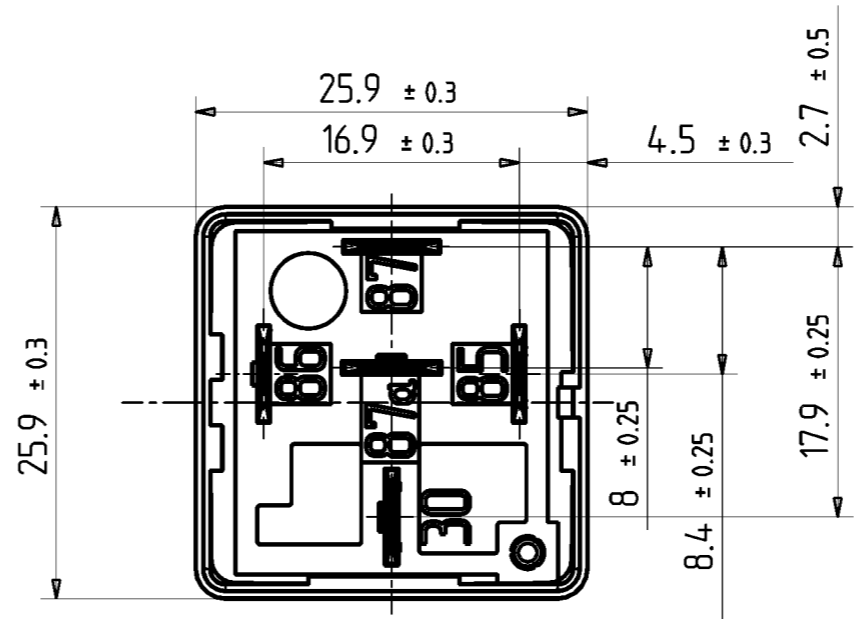


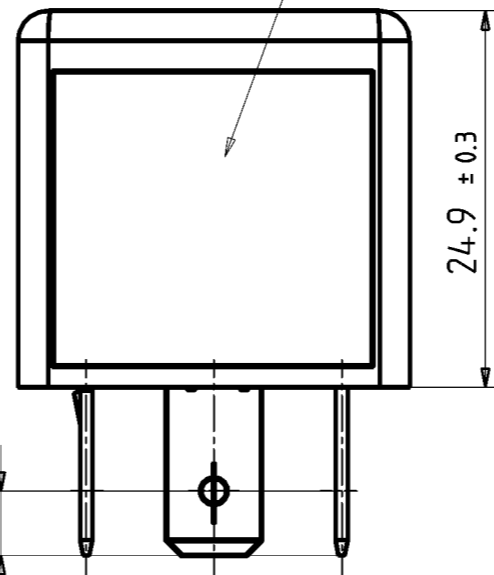
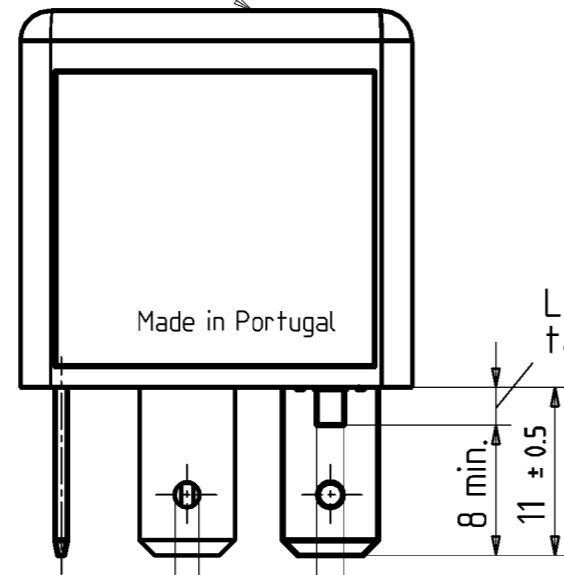
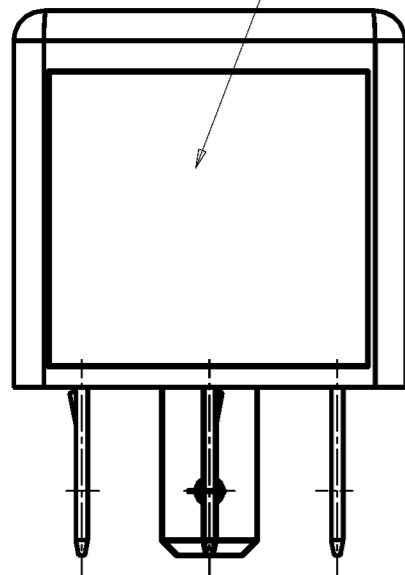
1:1



Circuit Diagram

Date code

Marking Specification



Plug-in terminals 85, 86, 87, 30 and 87a
 Terminals shape in line with DIN/ISO 8092-1 6.3x0.80
 Material CuSn for terminals 85 and 86
 Material E-Cu for terminals 87, 30 and 87a
 All terminals pre-tinned 2...4µm
 Universal mounting

Base material PA66-GF25, black similar to RAL 9005
 Cover material PA66-GF25, gray similar to RAL 7005

Mit CAD erstellt, Änderungen nur im System

X942M01-51		 Maße in mm Dimensions in mm		Maßstab	
		Datum 2005-12-13		---	
		Name L.Sandoval		Dimensional drawing	
		AMR PE Evora		A3	
51	---	2005-12-13	LSan	Power F 40A	
Zust.	Mitteilung	Datum	Name		
V23134-A0007-X942-* -27-					