

**Style**  
 M12 Socket, shielded  
 6 pin  
 A-coding

**Ratings**  
 Voltage: 30 V  
 Current: 2 A

**Operating Temperature Range**  
 -40~105 °C

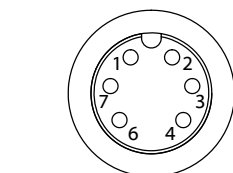
**Materials**  
 ① Insulator: Polyamide 66 (PA66), UL94 HB, black  
 ② Pin: C5191 phosphor bronze, gold plating  
 ③ Shell: C3604 brass, nickel plated  
 ④ Nut: C3604 brass, nickel plated  
 ⑤ O-ring: Nitrile rubber, green/black

**Electrical Requirements**  
 Dielectric strength: 1 min @ 500 Vac  
 Insulation resistance: 100 MΩ @ 500 Vdc  
 Contact resistance: 10 mΩ or less

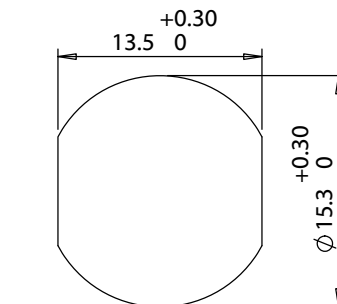
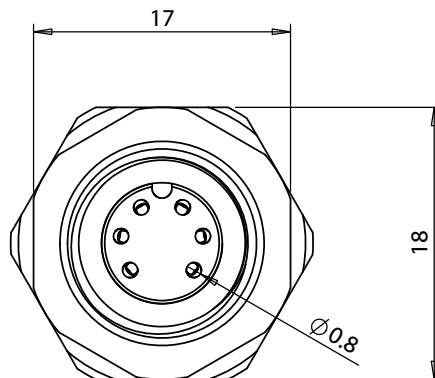
**Mechanical Requirements**  
 Life cycle: 500 mating cycles minimum

**Environmental Requirements**  
 Salt spray test: 35 °C, relative humidity 90-95%, 5% NaCl mist for 48 hrs. Wash parts after test. Maintain mechanical requirements and a contact resistance of less than 10 mΩ.  
 Waterproof: IP67

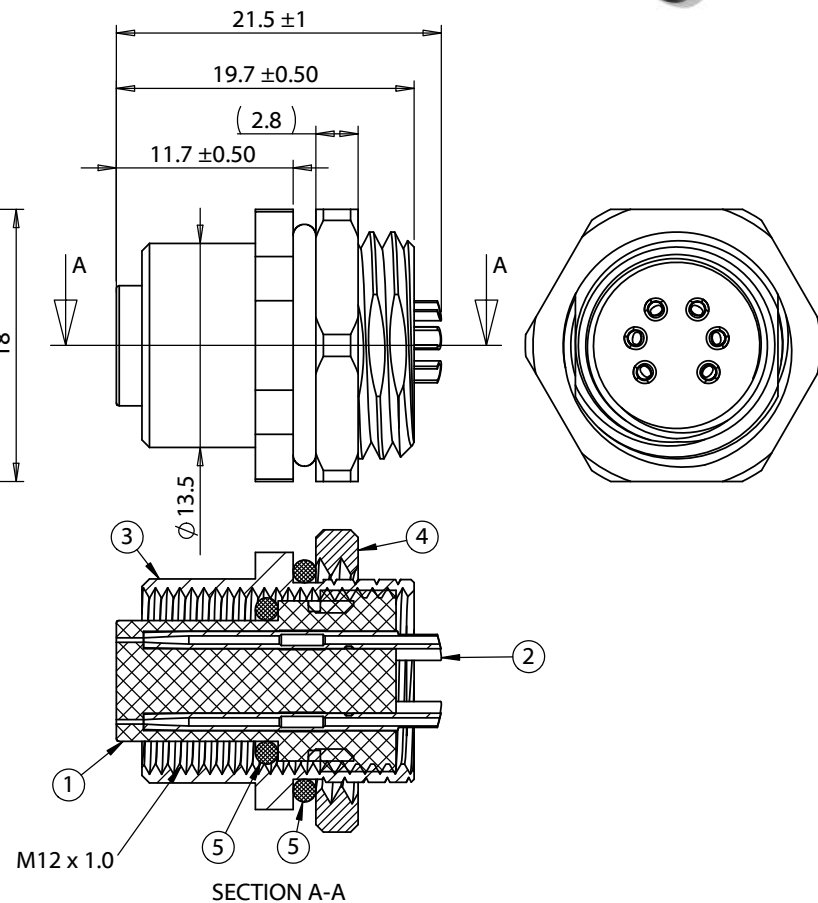
**Assembly Info**  
 Wire gauge: 24 AWG max



Front View  
 Not to Scale



Panel cutout (PG9)  
 Panel thickness (3.5mm max.)



**TENSILITY**

tel 1.541.323.3228 800 877.670.7118  
 fax 1.541.323.4202 web tensility.com

Size: Part number:  
 A 54-00183

Scale: 2:1 Sheet 1 of 1

Revision:	Date:	Description:
A	10/1/2020	Initial release

Prepared: JC <small>Digitally signed by JC Date: 2020.10.23 12:46:31 -07'00'</small>	Notes:  RoHS compliant
Verified: AG <small>Digitally signed by AG Date: 2020.10.23 13:05:39 -07'00'</small>	Function test: no open, no short circuit, no intermittent
Dimensions are in millimeters. Tolerances: X: ± 0.3 mm X.X: ± 0.1 mm X.XX: ± 0.05 mm	Description: Connector, 6 pin M12 A-code socket, 12xL21.5mm, gold plated, panel mount, solder cup, IP67