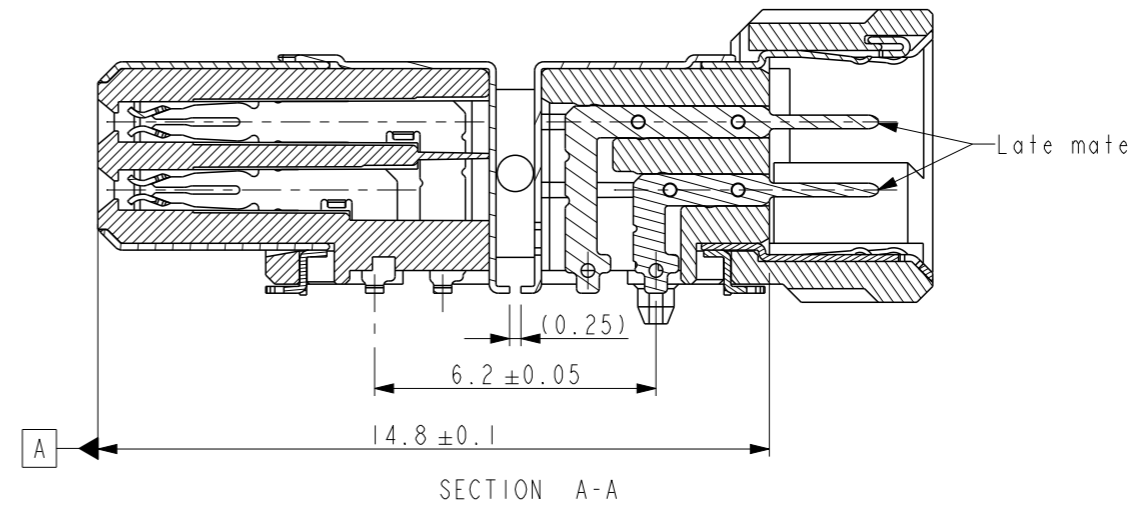
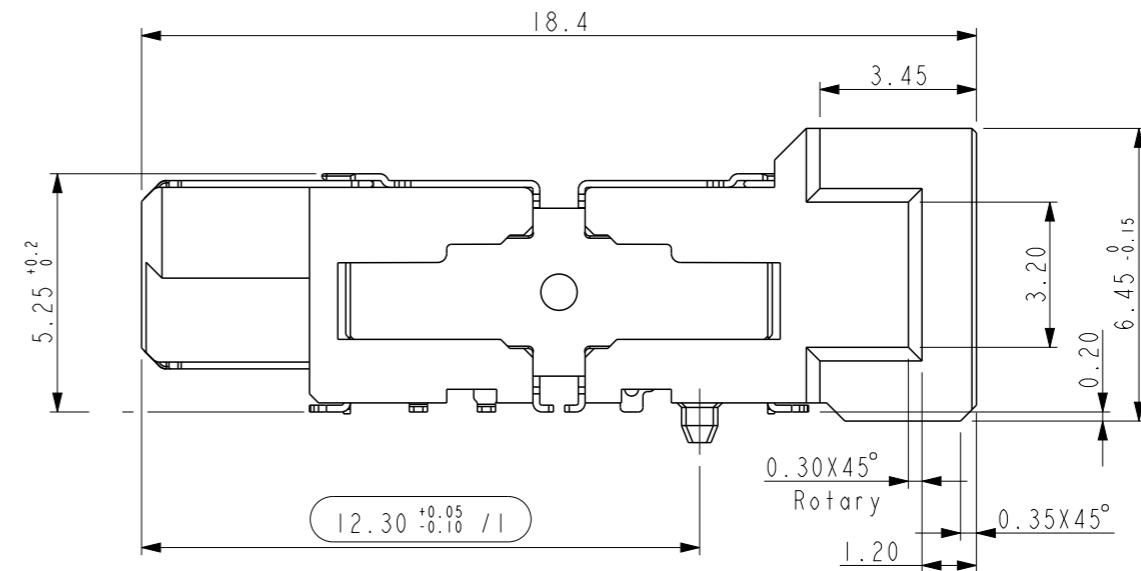
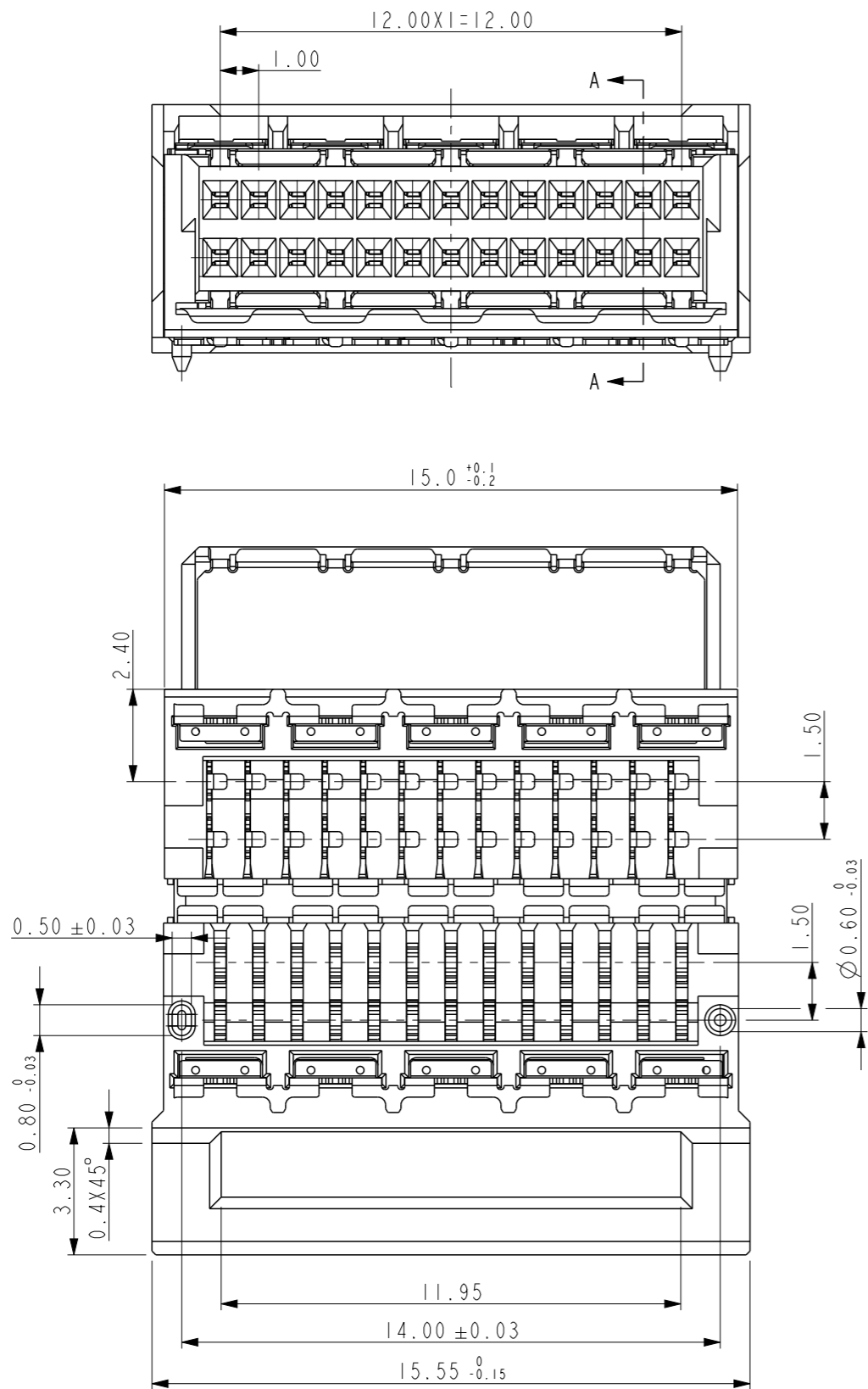


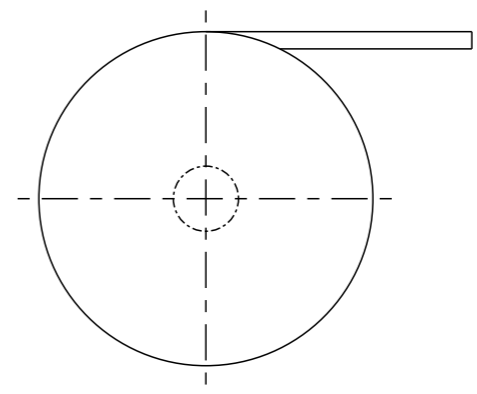
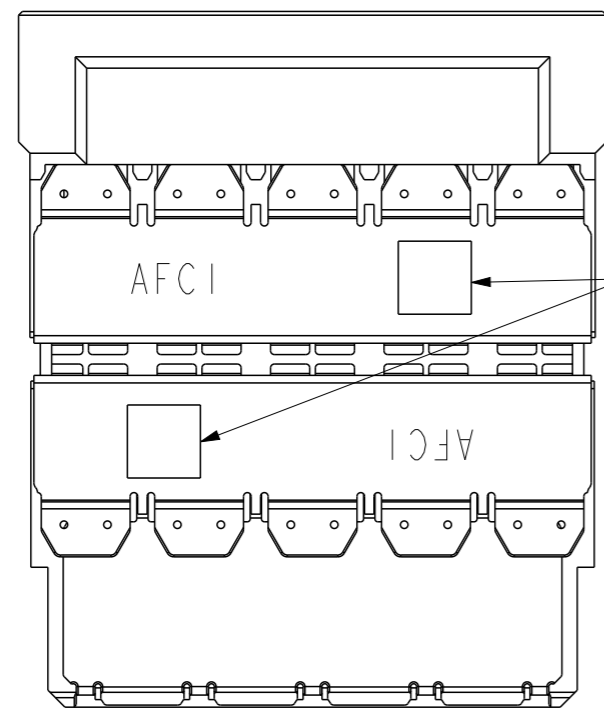
PRODUCT NO.
10147075-2600RLF



- NOTES:
- MATERIAL:
 - HOUSING: LCP 30%GF, E1301 BLACK, TICONA
 - TERMINAL AND SHIELD: CUSN6
 - PLATING: 1-3μM NI UNDER PLATING, 2-4μM SN ON SOLDER AREA, 0.65 μM PDNI, 0.10μM AU ON MATING AREA.
 - COPLANARITY AREA OF TERMINATION 0.10MM MAX (/1)

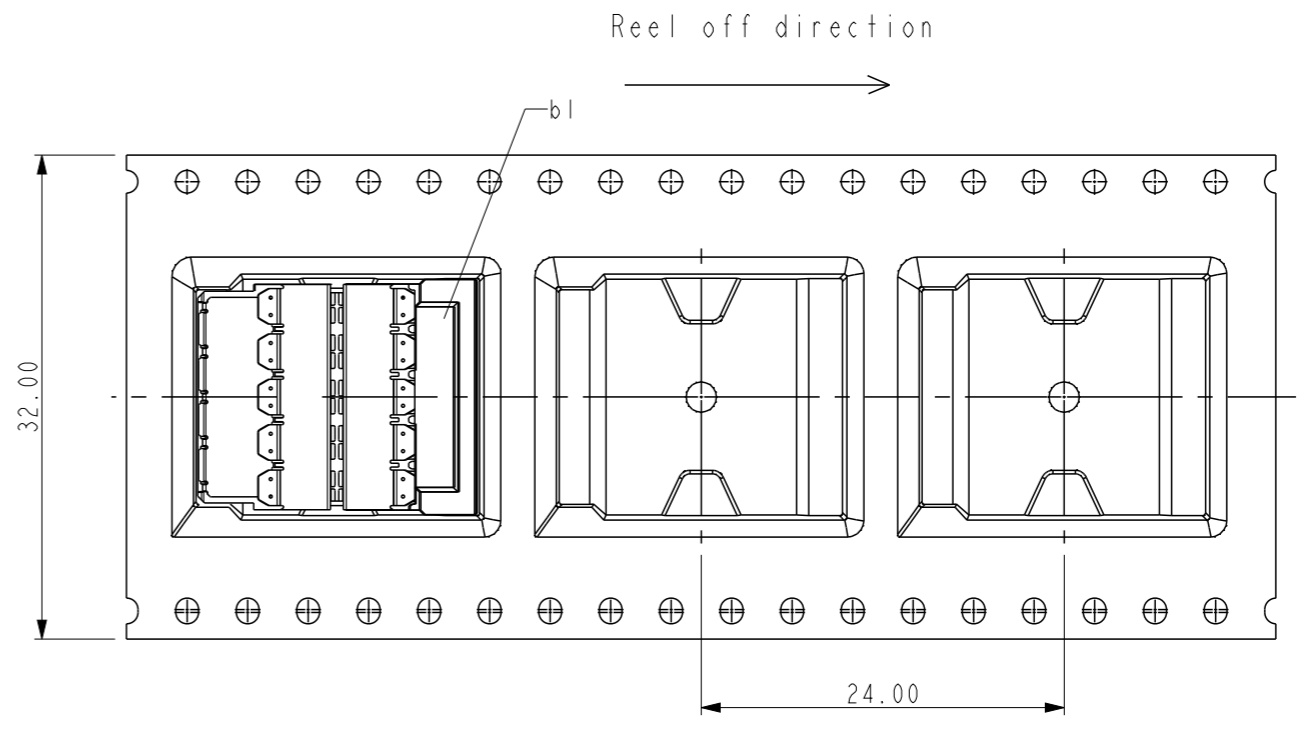
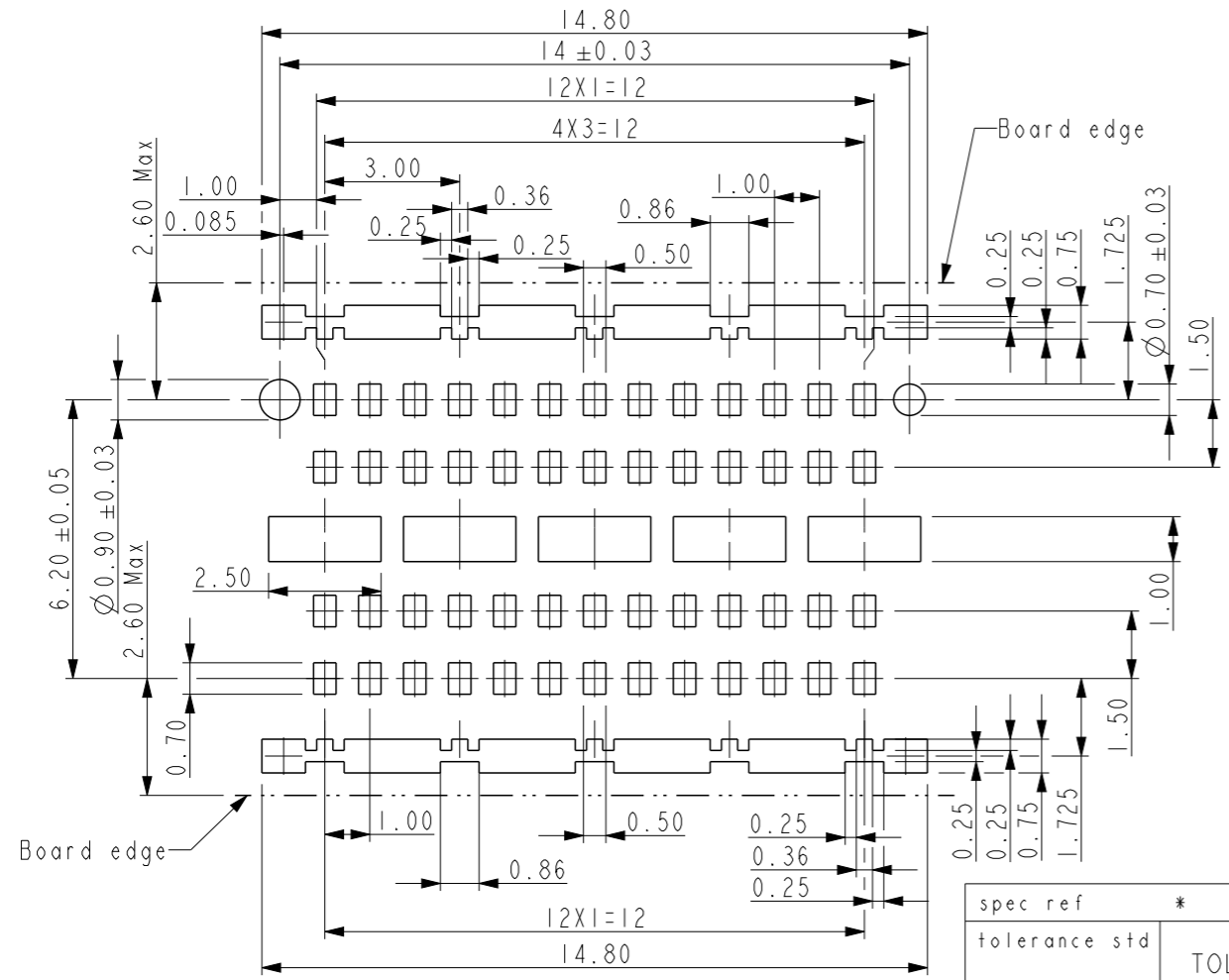
- (/1) INSPECTION LEVEL 1: CONTROL CHART REQUIRED
PROOF OF PROCESS CAPABILITY OR 100% TEST IF PROCESS CAPABILITY IS NOT ACHIEVED
- (/2) INSPECTION LEVEL 2 AND 3: CONTROL CHART REQUIRED
PROOF OF MEAN VALUE, STANDARD DEVIATION AND MACHINE CAPABILITY
- (/3) PROOF OF VALUES OR PROOF OF ATTRIBUTIVE TEST

spec ref	*	dr	Li-Qing Lei	2018/03/20	projection	mm	size	A3	scale	6:1	
tolerance std	TOLERANCES UNLESS OTHERWISE SPECIFIED	eng	Li-Qing Lei	2021/04/22			ecn no	ELX-N-40729-1			
surface	linear	chr	-	-			rel level	Released			
ASME Y14.5	angular	appr	Tim Yao	2021/04/22	product family		dwg no	10147075		rev	C
	0.X ±0.20	Amphenol FCI		title	Combo SMD 26 pos		cat. no.		Product - Customer Drw	sheet 1 of 2	
	0.XX ±0.10				Microspeed RA Series		STATUS:Released		Printed: Apr 22, 2021		
	0.XXX ±0.05										
	0° ±2°										



Package Description:
 1. External diameter of Reel: $\varnothing 330$
 2. Leader 96mm/ Trailer 48mm
 3. Packageing unit: 390pcs/Reel

PCB Layout Proposal



Amphenol FCI

© 2020 Amphenol Corporation

spec ref	*	dr	Li-Qing Lei	2018/03/20	projection	mm	size	A3	scale	6:1	
tolerance std	TOLERANCES UNLESS OTHERWISE SPECIFIED	eng	Li-Qing Lei	2021/04/22			ecn no	ELX-N-40729-1			
surface	linear	chr	-	product family			rel level	Released			
ASME Y14.5	angular	appr	Tim Yao	2021/04/22			dwg no	10147075		rev	C
	0.X ±0.20	cat. no.			Product - Customer Drw			sheet 2 of 2			
	0.XX ±0.10				STATUS: Released			Printed: Apr 22, 2021			
	0.XXX ±0.05										
	0° ±2°										

Creo File:ELX-WC-A3C_REV F_2020-12-21