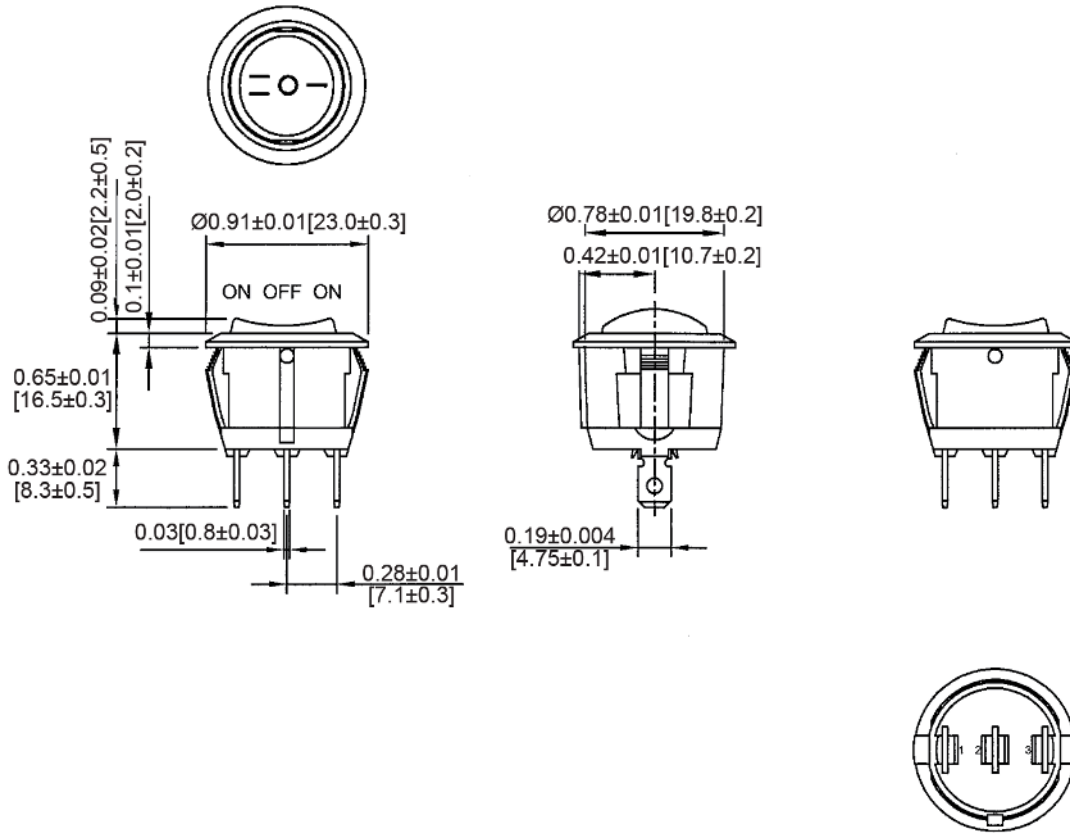
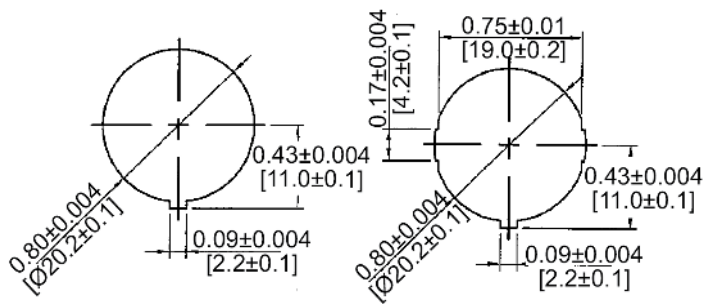


## Mechanical Dimensions: Inches [mm]

Tolerances  $\pm 0.012$  [0.3] Unless Otherwise Specified



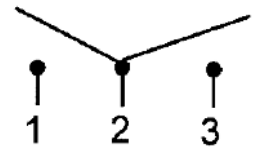
## Mounting Hole



Thickness: 0.1~0.12 [2.0~3.0] | 0.03~0.12 [0.7~3.0]

## Circuit Diagram

3P SPDT ON-OFF-ON



## Electrical Specifications

|                       |                        |
|-----------------------|------------------------|
| Rating                | 20A 14V DC, 10A 28V DC |
| Contact Resistance    | 50m ohm Max            |
| Insulation Resistance | DC 500V 100M ohm Min   |
| Dielectric Strength   | AC 1500V 1 minute      |
| Operation Temperature | -25°C~85°C             |

## Material Specifications

|           |                             |
|-----------|-----------------------------|
| Frame     | Black, Nylon 66             |
| Actuator  | Black, Nylon 66             |
| Terminals | Silver Plated, Copper Alloy |
| Printed   | White, -0=                  |

| Rev | Date of issue | Revision Notes  | Designed | Approved |
|-----|---------------|-----------------|----------|----------|
| B   | 06-08-2021    | Initial Drawing | RC       | OF       |