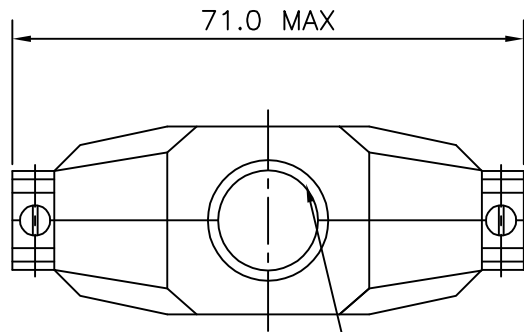
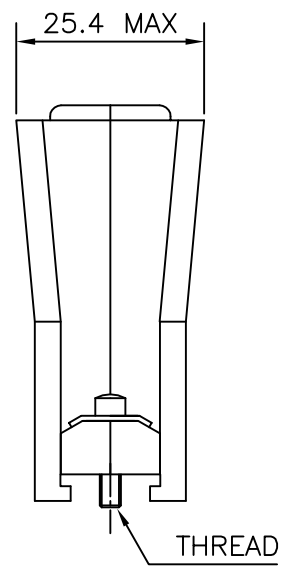
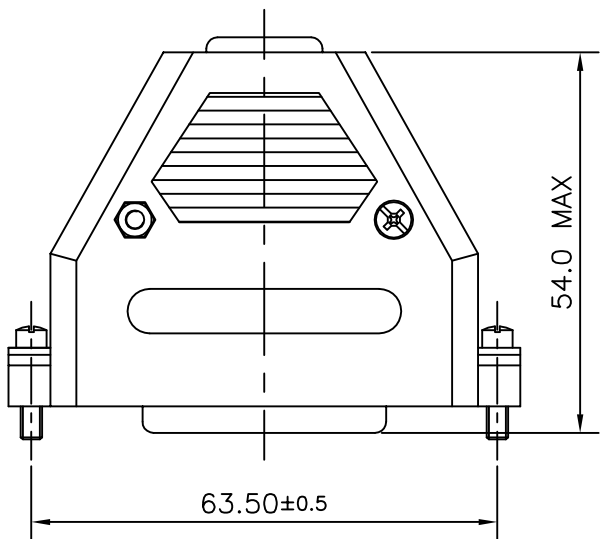


2	8630-CH37UNCLF	UNC 440
1	8630-CH37M3LF	M3
SL.NO.	PART NO:	THREAD



CABLE ENTRY ϕ 14.0 MAX.



THREAD

Amphenol FCI

"This LF product meets European Union Directives and other country regulations as described in GS-47-0004"

Packaging as per GS-14-920

MATERIALS:
 1.BS UNFILLED UL 94 HB (STANDARD)
 2.TEMP RANGE -55°C TO +85°C

mat'l. code				surface		tolerance		projection		product family			
-				ISO 1302 <input checked="" type="checkbox"/>		ISO 406 ISO 1101				D-SUB			
ltr	ecn no	dr	date	tolerances unless otherwise specified						title			
H	ELX-I-25452	GREGAR	2016-11-25	angles		linear		mm		CONNECTOR HOOD 37 POS			
				0°±1'		.00±0.1		←→					
				dr		1995-09-09		scale NTS		dwg no		sheet 1 of 1 size	
				enr		2016-11-25				C-DSUB-0025		A4	
				chr		2016-11-25				type		Product Customer Drawing	
				appd		2016-11-25							
sheet index	revision	H											
	sheet	1											